

IVES®

Architectural
hardware
products

THE GRAND
1000 GRAND AVENUE



Long-lasting door hardware accessories designed with our customers in mind

Ives provides customers with an expansive range of door hardware accessories to complete the opening and exceed application needs. Whether your goal is to hang the door, operate the door or protect the door, trust Ives to make it happen. Our product line includes a wide variety of hinges, pivots, door pulls, protection plates, door stops and much more. Don't let the breadth of our offering fool you. We're invested in quality, which means each product is built to last. That investment extends to our customer support. Our focus and investment in the quality and reliability of our long-lasting solutions extends to our relationships and service. We are committed to listening to our customer's needs and taking action.

Product enhancements, delivery improvements, customer support materials—you name it. As a trusted brand since 1876, Ives perseveres as an industry leader today with an authentic and pioneering spirit, founded in quality and customer service.

Ives quick ship offering

Ives offers 600 of our most popular accessories that typically ship in five business days or less through our standard order process. Choose from our broad list of hinges, pivots, door pulls, protection plates, door stops and much more.

Visit us.allegion.com/ivesquickship to view the full offering and learn more.

Information and customer care



us.allegion.com



US 877-671-7011
Canada 800-900-4734



support@allegion.com
Accessories_TechProdSupport@allegion.com



www.youtube.com/IvesSecurity

Ordering



allegion_orders@allegion.com



eFax: 1-877-424-8494

Table of contents

Finishes and door handing

Finishes

Door handing

Hinges and pivots

Architectural hinges

General information

How to order

3PB1

3 Knuckle, plain bearing full mortise hinge

3CB1

3 Knuckle, concealed bearing full mortise hinge

3CB1HW

3 Knuckle, concealed bearing, heavy weight full mortise hinge

3CB1WT

3 Knuckle, concealed bearing, wide throw full mortise hinge

3SP1

3 Knuckle, spring full mortise hinge

5PB1

5 Knuckle, plain bearing full mortise hinge

5BB1

5 Knuckle, ball bearing full mortise hinge

5BB1HW

5 Knuckle, ball bearing, heavy weight full mortise hinge

5BB1WT

5 Knuckle, ball bearing, wide throw full mortise hinge

5BB1SC / 5BB1BSC

5 Knuckle, ball bearing, swing clear, full mortise hinges (square and beveled)

5BB1HWSC / 5BB1HWBSC

5 Knuckle, ball bearing, heavy weight, swing clear, full mortise hinges (square and beveled)

1000 Series

Residential hinges

Aluminum geared continuous hinges

General information

Mounting hardware

Clearance requirements

How to order

026XY

Full mortise - narrow frame leaf, wide door leaf

027XY

Full mortise - wide door leaf

040XY

Full mortise - wide throw

041XY

Full mortise - swing clear

045XY

Half surface - narrow frame leaf, wide door leaf

046XY

Half surface - wide door leaf

053XY

Half surface - narrow frame leaf, narrow door leaf

054XY

Half surface - narrow door leaf

112HD

Full mortise - narrow frame and door leaf

112XY

Full mortise - narrow frame and door leaf

114XY

Full mortise - narrow frame leaf, door edge protector

157XY

Full surface

210XY

Full surface - swing clear

9

224HD

Full mortise - door edge protector

224XY

Full mortise - door edge protector

11

Pin and barrel continuous hinges

General information

Mounting hardware

Clearance requirements

How to order

700

Full mortise pin and barrel continuous hinge (stainless steel)

700CS

Full mortise pin and barrel continuous hinge with decorative cover

702

Full surface pin and barrel continuous hinge (stainless steel)

705

Full mortise, full wrap pin and barrel continuous hinge (stainless steel)

711

Swing clear pin and barrel continuous hinge (steel and stainless steel)

711CS

Swing clear pin and barrel continuous hinge with decorative cover

715

Full mortise, half wrap pin and barrel continuous hinge (stainless steel)

715CS

Full mortise, half wrap pin and barrel continuous hinge with decorative cover

Pivots

General information

Pivot selection chart

How to order

Offset pivots

7212

3/4" Offset pivot, 200lb with top header mount

7212V

3/4" Offset pivot, 200lb with top jamb mount

7215 / 7215F

3/4" Offset pivot, 500lb with top header mount (fire and non-fire rated models)

7222

3/4" Offset pivot, 200lb with top header mount and bottom base mount

7226 / 7226F

3/4" Offset pivot, 600lb with top header mount and bottom base mount (fire and non-fire rated models)

7227 / 7227F

3/4" Offset pivot, 700lb with top header mount and bottom base mount (fire and non-fire rated models)

7230F

3/4" Offset pivot, 1000lb with top header mount and bottom base mount (fire rated)

7237F

3/4" Offset pivot, 1750lb with top header mount and bottom base mount (fire rated)

7244F

1 1/2" Offset pivot, 400lb with top header mount and bottom base mount (fire rated)

7245F

1 1/2" Offset pivot, 500lb with top header mount and bottom base mount (fire rated)

46

47

48

11

11

15

16

17

18

19

20

21

22

23

24

25

26

27

33

34

35

36

37

38

39

40

41

42

43

44

45

46

47

48

54

55

56

57

58

59

60

61

62

66

66

66

67

68

69

70

71

72

73

74

Table of contents

Intermediate pivots	75	Decorative pulls	108
7212-7212V-7222 INT		9190EZHD	
3/4" Offset intermediate pivot	75	Solid 90° offset pull/push bar combo (8190EZHD pull + 9100HD push)	108
7215-7226-7227 INT / 7215F-7226F-7227F INT		8111-5	
3/4" Offset intermediate pivot (fire and non-fire rated models)	76	Solid door pull	109
7230F-7237F INT		8112-5	
3/4" Offset intermediate pivot, fire rated	77	Solid door pull	109
7244F-7245F INT		8121	
1 1/2" Offset intermediate pivot, fire rated	77	Solid door pull	110
7215PT-7226PT-7227PT INT /		8169	
7215FPT-7226FPT-7227FPT INT		C style (tubular series) offset solid door pull	110
3/4" Offset power transfer intermediate pivot (fire and non-fire rated models)	78	8181	
7230FPT-7237FPT INT		Georgian 90° offset solid door pull	111
3/4" Offset power transfer intermediate pivot (fire rated)	79	8189	
Center hung pivots	80	Athens offset tubular door pull	112
7253		8281	
Center hung pivot, 300lb with bottom base mount	80	Georgian straight solid door pull	113
7255		8312	
Center hung pivot, 500lb with bottom base mount	80	Plymouth offset solid door pull	114
7255J		8320	
Center hung pivot, 500lb with bottom jamb mount	81	Plymouth offset solid door pull	114
7256		8371	
Center hung pivot, 600lb with bottom base mount	82	Addison flat tip straight solid door pull	115
7259		8372	
Center hung pivot, 1000lb with bottom base mount	83	Camelot steeple tip straight tubular door pull	116
Pocket pivots	84	8373	
91105F		Brookshire acorn tip straight tubular door pull	117
Pocket pivot/hinge, fire rated	85	8700	
E91105F		Greenwich arc straight solid door pull	118
Pocket pivot/hinge, power transfer, fire rated	85	8800	
Pulls, push bars and plates	87	Greenwich arc offset solid door pull	119
General information		8848	
Mounting hardware		Latitude straight solid door pull	120
How to order		Long door pulls	121
Architectural pulls and push bars	94	8975	
Long door pulls	95	Rhodes straight solid door pull	121
Push, pull and protection plates	96	9264/9266	
Architectural pulls and push bars	97	Long door pull, rounded tip (offset and straight models)	122
8102HD		Hands-free door pulls	123
Solid door pull - 3/4" round	97	8122HD/8322HD	
8103HD		Hands-free reversible arm pull (models with and without plate)	123
Solid door pull - 1" round	97	FP100	
8103EZHD		Hands-free foot pull	124
Solid door pull - 1" round, large 2 1/2" clearance for the accessibility applications	98	AP101	
8105		Hands-free arm pull	124
Solid door pull - 1" flattened	100	OTP300/OT300	
8145EZHD		Opening hand tool (plastic and steel models)	124
45° Offset solid door pull	101	Push, pull and protection plates	125
8190HD		8200/8300	
90° Offset solid door pull	102	Push/pull plate	125
8190EZHD		8302	
90° Offset solid door pull	103	Pull plate	126
9100HD		8303	
Solid push bar	104	Pull plate	127
9103EZHD		8305	
Solid straight pull/push bar combo (8103EZHD pull + 9100HD push)	105	Pull plate	128
9145EZHD		8311	
45° Offset pull/push bar combo (8145HD pull + 9100HD push)	106	Pull plate	129
9190HD		Types of protection plates	
Solid 90° offset pull/push bar combo (8190HD pull + 9100HD push)	107	8400/8402	
		Commercial protection plates (UL and non-UL models)	131
		Edge guards and vandal resistant trim	132
		Edge guards	133
		General information and how to order	

Table of contents

Vandal resistant trim	137	Constant latching flush bolts	159
VR810-DT / VR814-DT		FB51P / FB51T	
Vandal resistant dummy trim (models with and without black grip)	137	Top bolt and bottom bolts - metal doors	159
VR810-NL / VR814-NL		FB52 / FB53	
Vandal resistant night latch trim, LHR and RHR options (models with and without black grip)	138	Top bolt with auxiliary fire latch - metal doors (models with and without retrofit plate)	160
VR810-NL-V / VR814-NL-V		FB61P / FB61T	
Vandal resistant night latch trim (models with and without black grip)	139	Top bolt and bottom bolts - wood doors	161
VR900 / VR904		FB62	
Vandal resistant mortise trim, LHR and RHR options (models with and without black grip)	140	Top bolt with auxiliary fire latch - wood doors	162
VR900LLP / VR904LLP		Manual flush bolts	163
Vandal resistant mortise trim, less lock protector, LH and RH options (models with and without black grip)	141	261	
VR910-DT / VR914-DT		Flush bolt - 4"	163
Vandal resistant dummy trim (models with and without black grip)	142	262	
VR910-NL / VR914-NL		Flush bolt - 6" square end	163
Vandal resistant night latch trim (models with and without black grip)	143	265	
VR910M-DT / VR914M-DT		Flush bolt - 6" round end	163
Vandal resistant mortise dummy trim (models with and without black grip)	144	FB358	
VR910M-NL / VR914M-NL		Top or bottom bolts - wood doors	164
Vandal resistant mortise night latch trim, LHR and RHR options, (models with and without black grip)	145	FB457	
Flush pulls and sliding door pulls	146	Top or bottom bolts - metal doors	165
22		FB458	
Flush pull - rectangle	147	Top or bottom bolts - metal doors	166
218		Dust proof strikes	167
Flush pull - small circle	147	DP1 / DP2	
221		Dust proof strike	167
Flush pull - large circle	148	Coordinators, filler bars and mounting brackets 168	
222		How to order	
Flush pull - rectangle	148	COR	
223		Bar coordinators	170
Flush pull - oval	149	FL	
227		Filler bars	171
Flush pull - deep well	149	MB1 / MB2	
919		Mounting brackets	172
Decorative flush pull - oval	150	MB1F / MB2F / MB3F, MB1V / MB2V / MB3V	
950		Mounting brackets	172
Decorative flush pull - rectangle	150	COR7G / COR9G	
955		Gravity coordinators	173
Decorative flush pull - square, deep well	151	CB1	
960		Carry bar	173
Decorative flush pull - rectangle	151	Latches, catches and bolts	175
962		Surface bolts	175
Decorative flush pull - rectangle	151	SB360	
230		Surface bolt	175
Sliding door edge pull	152	SB453	
42		Surface bolt	175
Pocket sliding door bolt	152	SB1630 / SB1640	
990 / 991		Surface bolt	176
Sliding door pull (passage and privacy models)	153	SB1600M1 / SB1600M2	
25		Surface bolt	177
Screen door pull	153	40	
Flush bolts, strikes and coordinators	154	Surface bolt, decorative light duty	178
Automatic flush bolts	155	253	
FB31P / FB31T / FB31B		Surface bolt, decorative heavy duty	178
Top and bottom flush bolts - metal doors	155	Dutch door and mortise door bolts	179
FB32 / FB33		054	
Top bolt with auxiliary fire latch - metal doors (models with and without retrofit plate)	156	Dutch door bolt	179
FB41P / FB41T / FB41B		S48	
Top bolt and bottom bolts - wood doors	157	Mortise door bolt	179
FB42		Door guards	180
Top bolt with auxiliary fire latch - wood doors	158	481	
		Chain door guard	180
		482	
		Solid bar door guard	181

Door guards	182	FS436 / FS438	
484		Dome stop	196
Privacy door guard	182	R435 / R437	
Roller latches	184	Dome stop riser	196
RL30 / RL30A		FS439	
Roller latch	184	Universal dome floor stop	197
RL32 / RL32A		FS410	
Roller latch	184	Decorative floor stop	197
RL36 / RL36A		FS18S / FS18L	
Roller latch	185	Floor stop	198
RL38		FS434	
Roller latch	185	Floor stop	198
RL1152		430	
Roller latch	186	Floor door stop	198
STK685 / STK685L		FS441	
Angle stops	187	Floor stop	199
AS895		FS444	
Angle stop	187	Masonry and drywall/wood floor stops	199
AS18		FS9	
Angle stop	187	Floor stop and semi-automatic holder	200
Invisible latches	188	FS40, FS41, FS42 and FS43	
CL11		Floor stop and automatic holders	200
Invisible latch	188	FS446 / FS450	
CL12		Floor stop and manual door holder	201
Invisible latch	188	FS495 / FS496 / FS497	
CL14		Stops and semi-automatic holders	201
Invisible latch, auxiliary pusher	188	Wall bumpers and stops	202
Magnetic catches	189	WS401 / WS402CVX, WS401 / WS402CCV	
325		Wall bumpers (convex and concave models)	202
Magnetic catch	189	WS404CVX	
326		Wall stop (convex)	202
Magnetic catch, dual double pole	189	WS406 / WS407CVX, WS406 / WS407CCV	
327		Wall stops (convex and concave models)	203
Magnetic catch, dual triple pole	189	411R-W	
Roller catches	190	Wall bumper - adhesive	203
330		Wall stops and holders	204
Roller catch	190	WS11 / WS11X	
335		Wall stops	204
Roller catch	190	WS20 / WS20X	
336		Manual wall holders	204
Roller catch	190	WS33 / WS33X	
Ball catches	191	Wall stops	205
CL21		WS65	
Ball catch	191	Wall stop	205
CL21A		WS443 / WS447	
Ball catch	191	Wall stops	206
CL22		WS445 / WS449	
Ball catch	191	Manual wall holders	206
345		WS40	
Ball catch, adjustable	192	Automatic wall holder	207
347		WS45 / WS45X	
Ball catch, dual adjustable - square corners	192	Automatic wall holder	207
349		FS452	
Ball catch, dual adjustable - rounded corners	193	Kick down holder	208
2		FS455	
Elbow catch	193	4" Kick down holder	208
Door stops, holders and silencers	195	FS544 / FS555	
Floor stops and holders	195	Kick down holders	209
FS13		FS1153	
Dome stop	195	Plunger type door holder	210
R14		FS1154	
Dome stop rise	195	Plunger type door holder	210
FS17		Roller bumpers	211
Dome stop	195	RB470 / RB471 / RB472	
		Roller bumpers (straight and offset models)	211
		Residential door stops	212
		060 / 061	
		Flexible door stops	212

Table of contents

60/61		059	
Base door stops	213	Hand rail bracket	230
63		59	
Flexible door stop	214	Hand rail bracket	231
64		159	
Base door stops	214	Hand rail bracket	231
69		405	
Hinge pin door stop	215	Coat and hat hook	232
70		571	
Hinge pin door stop	216	Coat and hat hook	232
72		572	
Hinge pin door stop	217	Coat and hat hook	233
73		574	
Hinge pin door stop	217	Coat and hat hook	233
Door silencers	218	575	
SR64		Coat and hat hook	234
Door silencer - metal	218	580	
SR65		Ceiling hook	234
Door silencer - wood	218	581	
SR66		Wardrobe hook	235
Door silencer - adhesive	218	582	
Crash stop	219	Double wardrobe hook	235
CS115		SP585	
Crash stop	219	Closet pole sockets	236
Exterior hardware	220	SP586	
Lock guards, viewers, knockers and mail slots	220	Closet pole sockets	236
Lock guards	221	Decorative hooks	237
LG1/LG7		506	
Lock guard (with and without security pin)	221	Plymouth coat and hat hook	237
LG10		507	
Lock guard	221	Rhodes coat and hat hook	237
LG11		507B	
Lock guard - aluminum doors	222	Rhodes wardrobe hook	237
LG12		508	
Lock guard - narrow	222	Greenwich coat and hat hook	237
LG13		508C	
Lock guard	223	Greenwich coat and hat hook	238
LG14		509C	
Lock guard - with electric strike	223	Tubular coat and hat hook	238
Viewers	224	510C	
U696		Latitude coat and hat hook	238
One-way viewer - UL	224	510BC	
698/U698		Latitude wardrobe hook	238
One-way wide angle viewer (UL and non UL models)	224	511BC	
700/U700		Century wardrobe hook	239
One-way narrow viewer (UL and non-UL models)	225	543	
701/U701		Camelot coat and hat hook	239
One-way narrow wide angle viewer (UL and non UL models)	225	543B	
Viewer covers/viewer extensions	226	Camelot wardrobe hook	239
890311/890312		554	
Viewer covers	226	Century coat and hat hook	240
890314/890313		558B	
Viewer extensions	226	Orbit wardrobe hook	240
Door knockers and mail slots	227	559B	
02-3125, 02-31251/02-31251U, 02-31252/02-31252U		Tubular wardrobe hook	240
Door knocker (models with and without viewers)	227	Window hardware	241
620		07	
Magazine size letter box plate with standard (open) back plate	227	Window lock	242
601		90	
Sleeve for use with letter box plate	227	Side window lock	242
Miscellaneous hardware	229	026	
Brackets, hooks and sockets	229	Bar window lift	243
		066	
		Casement fastener	243
		66	
		Casement fastener	244
		71	
		Casement adjuster	244
		Rescue hardware	245
		299AL/299AB/299AS, 299RB/299RS	
		Emergency stops and rescue strikes	246

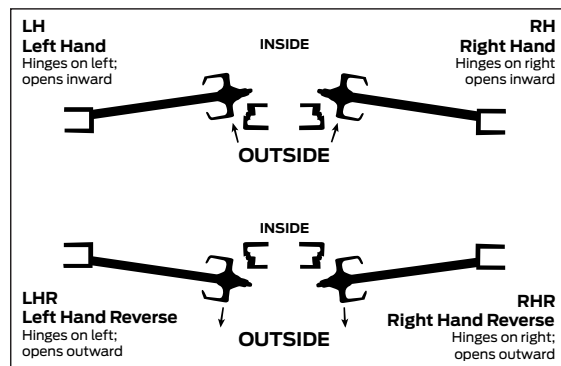
Finishes

Ives finish	ANSI/BHMA	US number	Finish description	Base material
A3	666	US3	Bright Brass, Clear Coat	Aluminum
A4	667	US4	Satin Brass, Clear Coat	Aluminum
A5	–	US5	Brass, Blackened, Satin Relieved	Aluminum
A10	668	US10	Satin Bronze, Clear Coat	Aluminum
A10B	703	US10B	Dark Bronze, Oil Rubbed	Aluminum
A14	669	US14	Bright Nickel, Clear Coat	Aluminum
A15	670	US15	Satin Nickel, Clear Coat	Aluminum
A26	672	US26	Bright Chrome	Aluminum
A26D	702	US26D	Satin Chrome	Aluminum
A-643E/716	–	–	Aged Bronze, Blackened, Edge Relieved	Aluminum
A92	673	–	Aluminum Clear Coat	Aluminum
A-BLK	–	–	Matte Black	Aluminum
A-W	–	–	White	Aluminum
US27	627	US27	Satin Aluminum, Clear Coated	Aluminum
441	441	–	Satin Stainless Anodized	Aluminum
PA28	628	US28	Satin Aluminum, Clear Anodized	Aluminum
688	688	–	Satin Brass Anodized	Aluminum
709	709	–	Satin Bronze Anodized	Aluminum
710	710	313AN	Dark Bronze Anodized	Aluminum
711	711	315AN	Black Anodized	Aluminum
712	712	–	Bright Chrome Anodized	Aluminum
713	713	–	Satin Chrome Anodized	Aluminum
B3	605	US3	Bright Brass, Clear Coat	Brass/bronze
B4	606	US4	Satin Brass, Clear Coat	Brass/bronze
B5	609	US5	Satin Brass, Blackened, Satin Relieved	Brass/bronze
B9	611	US9	Bright Bronze, Clear Coat	Brass/bronze
B10	612	US10	Satin Bronze, Clear Coat	Brass/bronze
B10B	613	US10B	Dark Bronze, Oil Rubbed	Brass/bronze
614	614	US10A	Satin Bronze, Relieved, Clear Coated	Brass/bronze
B14	618	US14	Bright Nickel, Clear Coat	Brass/bronze
B15	619	US15	Satin Nickel, Clear Coat	Brass/bronze
B15A	620	US15A	Satin Nickel, Blackened, Satin Relieved	Brass/bronze
B26	625	US26	Bright Chrome	Brass/bronze
B26D	626	US26D	Satin Chrome	Brass/bronze
B-643E/716	–	–	Aged Bronze, Blackened, Edge Relieved	Brass/bronze
B-695	695	US10B	Dark Bronze Painted	Brass/bronze
B-BLK	622	US19	Matte Black	Brass/bronze
US2G	603	US2G	Zinc Plated	Steel
F2C	604	US2C	Zinc Plated	Steel
F3	632	US3	Bright Brass, Clear Coat	Steel
F4	633	US4	Satin Brass, Clear Coat	Steel
F5	638	US5	Satin Brass, Blackened, Satin Relieved	Steel
F10	639	US10	Satin Bronze, Clear Coat	Steel
F10B	640	US10B	Dark Bronze, Oil Rubbed	Steel
641	641	US10A	Oxidized Brz, Relieved, Clear Coated	Steel
F14	645	US14	Bright Nickel, Clear Coat	Steel
F15	646	US15	Satin Nickel, Clear Coated	Steel
F15A	647	US15A	Satin Nickel, Blackened, Relieved, Clear	Steel
F26	651	US26	Bright Chrome	Steel
F26D	652	US26D	Satin Chrome	Steel
F-643E/716	–	–	Aged Bronze, Blackened, Edge Relieved	Steel
F-695	695	US10B	Dark Bronze Painted	Steel
F-BLK	631	US19	Matte Black	Steel
F-W	–	–	White	Steel
SP4	706	–	Dull Brass Painted	All
SP10	691	–	Dull Bronze Painted	All
SP28	689	–	Aluminum Painted	All
SP313	695	US10BE	Dark Bronze Painted	All

Finishes

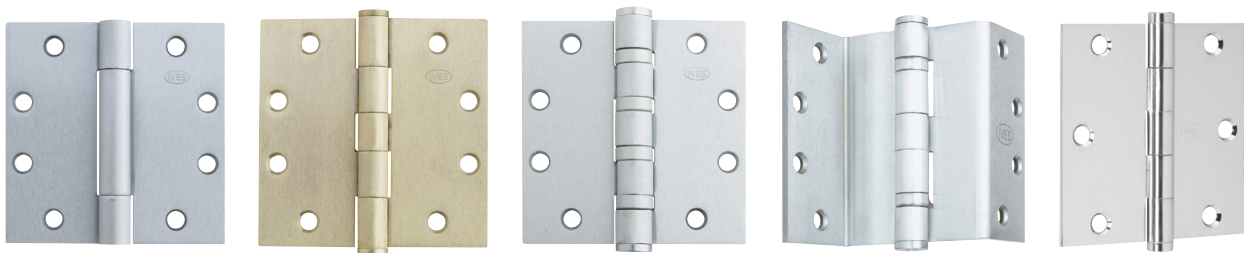
Ives finish	ANSI/BHMA	US number	Finish description	Base material
SPBLK	622	–	Matte Black	All
USP	600	USP	Primed For Paint	All
US26D-AM	626-AM	US26D-AM	Satin Chrome, Antimicrobial Coating	Brass/bronze
US32	629	US32	Bright Stainless Steel	Stainless steel
US32-316	629-316	US32-316	Bright Stainless Steel - 316 Series	Stainless steel - 316
US32D	630	US32D	Satin Stainless Steel	Stainless steel
US32D-316	630-316	US32D-316	Satin Stainless Steel - 316 Series	Stainless steel - 316
US32D	654	–	Satin Stainless Steel	Stainless steel
US32D-AM	–	–	Satin Stainless, Antimicrobial Coating	Stainless steel
Z605	677	US3	Bright Brass, Clear Coat	Zinc
678	678	US4	Satin Brass, Clear Coat	Zinc
Z609	–	US5	Satin Brass, Blackened, Satin Relieved	Zinc
Z613	704	US10B	Dark Bronze, Oil Rubbed	Zinc
Z619	–	US15	Satin Nickel, Clear Coat	Zinc
Z625	681	US26	Bright Chrome	Zinc
682	–	US26D	Satin Chrome	Zinc
Z-643E/716	–	–	Aged Bronze, Blackened, Edge Relieved	Zinc
Z-BLK	–	–	Matte Black	Zinc
Z-W	–	–	White	Zinc
CLR	–	–	Clear	Plastic
BLK	–	–	Matte Black	Rubber or plastic
WHT	–	–	White	Rubber or plastic
GRY	–	–	Grey	Rubber
TAN	–	–	Tan	Rubber

Door handing



Architectural hinges

Ives offers a variety of architectural hinges, also known as butt hinges, that will cover any need in residential and commercial applications while also exceeding code requirements. Choose from high-quality hinges offered in a variety of substrates, knuckles, bearings, and styles. Use our selection guide in the general information section to better understand the right hinge for your application.



General information

Selection of the proper weight and bearing type

Standard weight	Plain bearing
Standard weight	Ball bearing, concealed bearing
Heavy weight	Ball bearing, concealed bearing

Considerations to determine weight and bearing type

- Weight of door
- Frequency of use
- Frame
- Door hardware

Always use ball bearing or concealed bearing hinges for doors with door closers and in all fire rated openings. Doors over 150 pounds and/or used more than 100 times per day should be hung on heavy weight ball bearing or concealed bearing hinges.

Guidelines for hinge metal

- Interior door or non-corrosive area use: plated or painted steel
- Interior labeled door use: plated or painted steel, stainless steel
- Interior door in corrosive area use: stainless steel, brass, bronze
- Exterior doors use: Stainless steel, brass, bronze

Standard pin material are brass hinge – steel pin, Stainless steel hinge – stainless steel pin, steel hinge – steel pin

Guidelines for frequency of door usage

Build type	Daily usage	Hinge type
High frequency/heavy weight door		
Large department store entrance	5,000	Heavy weight
Hospital corridor and surgical doors	5,000	Heavy weight
Large office building entrance	4,000	Heavy weight
School entrance	1,250	Heavy weight
School toilet door	1,250	Heavy weight
Office stairwell	500	Heavy weight
Office building toilet door	400	Heavy weight
Medium frequency/medium weight door		
School corridor door	100	Standard weight
Hospital consultation rooms	100	Standard weight
Office building corridor door	80	Standard weight
Store toilet door	60	Standard weight
Storage room	50	Standard weight
Low frequency/light door		
Residential entrance	30	Plain bearing
Interior residential	20	Plain bearing

ANSI/BHMA Grade/minimum cycle requirements

- Grade 1: 2,500,000 Heavy weight ball and concealed bearing
- Grade 2: 1,500,000 Standard weight ball and concealed bearing
- Grade 3: 350,000 Lightweight plain bearing

Considerations to determine hinge size

- Door width
- Door thickness
- Weight
- Clearance

Guidelines for hinge height

Door thickness In inches	Door width In inches	Hinge height In inches
1 3/8"	Up to 32"	3 1/2"
1 3/8"	32" to 37"	4"
1 3/4"	Up to 36"	4 1/2"
1 3/4"	36" to 48"	5"
1 3/4"	Over 48"	6"
2" - 2 1/2"	Up to 42"	5" heavy weight
2" - 2 1/2"	Over 42"	6" heavy weight

Clearance requirement*

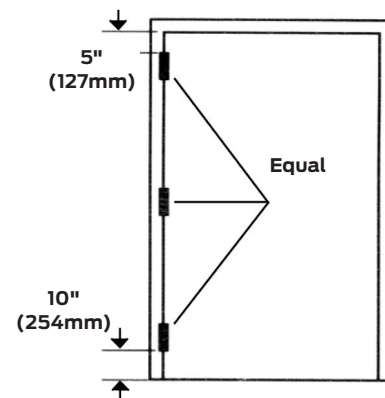
Door thickness	Clearance needed	Hinge open width
1 3/8"	1 3/4"	4"
1 3/4"	1"	4"
1 3/4"	1 1/2"	4 1/2"
1 3/4"	2"	5"
1 3/4"	3"	6"
2"	1"	4 1/2"
2"	1 1/2"	5"
2"	2 1/2"	6"
2 1/4"	1"	5"
2 1/4"	2"	6"
2 1/2"	1/2"	5"
2 1/2"	1 1/2"	6"
3"	3/4"	6"
3"	2 3/4"	8"

*Distance needed between wall and door at 180° to allow for any projections from wall; trim, decorative molding, etc. Consult factory technical service for engineered special applications

Guidelines for number of hinges

- Doors under 7'6" - 3 hinges
- Doors over 7'6" - 4 hinges

Location of hinges



Top hinge 5" from jamb rabbet to top of barrel

Bottom hinge 10" from bottom edge of barrel to finished floor

Third hinge centered between top and bottom hinges

Note: Consult door manufacturer for other hinge locations

General information

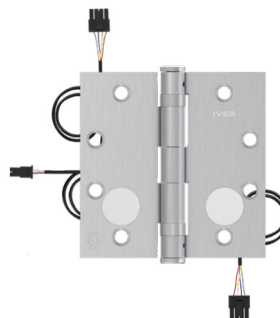
Electrification options



Electrical through-wire (TW4, TW8 and TW12)

Provides electric power transfer from the frame to the door in order to supply power to an electrified mortise or cylindrical locks, exit devices with electric latch retraction, and/or electric strikes (pairs of doors). Each wire is 28 AWG and rated 50 volts AC/DC at 3.5 amp continuous and 16 amp pulse. Maximum pulse 400 milliseconds. Ives through-wire hinges are available with 4 wire (TW4), 8 wire (TW8) installations and 12 wire (TW12) installations. All TW4, TW8 and TW12 architectural hinges are standard with the Allegion Connect 8-pin Connector which makes it easy to connect to other electrical consumption devices.

- UL634 Listed
- Not available 3PB1
- Not available with security stud (SH) option
- Packaged one hinge per box with standard wood and machine screws
- Hinge is NRP as a standard
- High quality brass ferrules and plastic tubing protect the wires
- Through-wire hinges cycle tested to industry standards
- Special wire gauge, number, and color configurations available, contact factory



Electrical Monitor (MON, TW4M, TW8M)

Provides door position monitoring. Monitor is rated 30 volts AC/DC at 0.25 amp. Fully compatible with through-wire hinges with 4 wire (TW4M) and 8 wire (TW8M) options. Supplied standard with CON, Allegion's modular 8-pin connector for connection to other electrified products.

- UL634 Listed
- Not available 3PB1, 3SP1, and 5PB1 models
- Not available on 3.5 x 3.5 and 4X4 size hinges
- Not available with security stud (SH) option
- Packaged one hinge per box with standard wood and machine screws
- Hinge is NRP as a standard
- High quality brass ferrules and plastic tubing protect the wires
- Through-wire hinges cycle tested to industry standards
- Special wire gauge, number, and color configurations available, contact factory

How to order

Number of knuckles	Function	Type	Weight/type	Options	Height x Width	Finish	Options 2							
1	2	3	4	5	6	7	8							
5	-	BB	-	1	-	HW	-	SH	-	4.5x4.5	-	652	-	NRP

Detail

1	Number of knuckles
3	3 Knuckle
5	5 Knuckle

2	Function
PB	Plain bearing
BB	Ball bearing
CB	Concealed bearing
SP	Spring hinge

3	Type
1	Full mortise
2*	Half mortise
3*	Full surface
4*	Half surface

*Engineering special. Consult factory for specific lead time.

4	Weight/type
Blank	Standard weight (BHMA Grade 2)
HW	Heavy weight (BHMA Grade 1)
SC	Swing clear
BSC	Beveled swing clear
SCHW	Swing clear, heavy weight
BSCHW	Beveled swing clear, heavy weight
WT	Wide throw

5	Options
HT	Hospital tip
SH	Security stud (includes NRP as standard offering) on hospital tip and on the TW and MON.

6	Height x Width
3.5	x 3.5
4	x 4
4.5	x 4, 4.5, 5, 6
5	x 4.5, 5, 6, 7, 8

Consult model page for availability.

7	Finish		
BHMA	Description	Substrate	Finish
600	Primer Paint	Brass	USP
605	Bright Brass	Brass	US3
606	Satin Brass	Brass	US4
612	Satin Bronze	Brass	US10
613	Oil Rubbed Bronze	Brass	US10B
614	Oxidized Bronze	Brass	US10A
619	Satin Nickel	Brass	US15
622	Matte Black	Brass	B-BLK
625	Bright Chrome	Brass	US26
626	Satin Chrome	Brass	US26D
643e	Aged Bronze	Brass	B-643E
695	Dark Bronze Painted	Brass	B-695/US10BE

7	Finish		
BHMA	Description	Substrate	Finish
629	Bright Stainless	Stainless steel	US32
630	Satin Stainless	Stainless steel	US32D
631	Matte Black	Steel	F-BLK
632	Bright Brass	Steel	US3
633	Satin Brass	Steel	US4
639	Satin Bronze	Steel	US10
640	Oil Rubbed Bronze	Steel	US10B
641	Oxidized Bronze	Steel	US10A
643e/716	Aged Bronze	Steel	F-643E/716
646	Satin Nickel	Steel	US15
651	Bright Chrome	Steel	US26
652	Satin Chrome	Steel	US26D
695	Dark Bronze Painted	Steel	F-695/US10BE

8	Options 2
MON*	Monitor
NRP	Non-removable pin
RC-1/4	Rounded corners 1/4"
RC-5/8	Rounded corners 5/8"
SEC	Security screws (hollow metal - hex head pin in socket) (metal only)
TW4	Through-wire - four wire
TW8	Through-wire - eight wire
TW12	Through-wire - twelve wire
TW4M*	Through-wire - four wire with monitor
TW8M*	Through-wire - eight wire with monitor

* TW and MON options are not available on 4 x 4 or smaller.

Hinges and pivots

Architectural hinges

3PB1

3 Knuckle, plain bearing full mortise hinge

- Recommended for standard weight doors
- Recommended for low frequency usage
- Not recommended for use with a door closer
- Packed with fasteners for hollow metal and wood doors
 - 12-24 x 1/2 UFPHMS, 12 x 1 1/4 FPHWS
 - 10-24 x 1/2 UFPHMS, 10 x 1 FPHWS (3.5x3.5 hinge size only)

Specifications

Material substrate	Made from brass, 1040 steel or 304 series stainless steel
Certifications	<ul style="list-style-type: none"> ▪ Certified ANSI/BHMA A156.1 for performance standards ▪ Meets ANSI/BHMA 156.7 for template hinge dimensions

Dimensions

Height x width	Size (mm)	Gauge
3.5 x 3.5	89 x 89	0.123
4 x 4	102 x 102	0.130
4.5 x 4	114 x 102	0.134
4.5 x 4.5	114 x 114	0.134
5 x 4.5	127 x 114	0.146

Refer to General Hinge Information page to determine proper hinge for application

Options

NRP	Non-removable pin
HT	Hospital tip
SH	Security stud - comes standard with NRP
RC-1/4, RC-5/8	Rounded corners
SEC	Security fasteners - pin-in-socket (for hollow metal doors and frames only)

Finishes

BHMA	Description	Substrate	Finish
600	Primer Paint	Steel	USP
605	Bright Brass	Brass	US3
606	Satin Brass	Brass	US4
612	Satin Bronze	Brass	US10
613	Oil Rubbed Bronze	Brass	US10B
614	Oxidized Bronze	Brass	US10A
619	Satin Nickel	Brass	US15
622	Matte Black	Brass	B-BLK
625	Bright Chrome	Brass	US26
626	Satin Chrome	Brass	US26D
643e/716	Aged Bronze	Brass	B-643e/716
695	Dark Bronze Painted	Brass	B-695/US10BE
629	Bright Stainless	Stainless steel	US32
630	Satin Stainless	Stainless steel	US32D
631	Matte Black	Steel	F-BLK
632	Bright Brass	Steel	US3
633	Satin Brass	Steel	US4
639	Satin Bronze	Steel	US10
640	Oil Rubbed Bronze	Steel	US10B
641	Oxidized Bronze	Steel	US10A
646	Satin Nickel	Steel	US15
651	Bright Chrome	Steel	US26
652	Satin Chrome	Steel	US26D
643e/716	Aged Bronze	Steel	F-643e/716
695	Dark Bronze Painted	Steel	F-695/US10BE

For other colors, consult factory.



3CBI

3 Knuckle, concealed bearing full mortise hinge

- Recommended for medium weight doors (<150 lbs)
- Recommended for medium frequency usage (<400 cycles per day)
- Made with two concealed nylon bearings
- Recommended for use with a door closer
- Packed with fasteners for hollow metal and wood doors
 - 12-24 x 1/2 UFPHMS, 12 x 1 1/4 FPHWS
 - 10-24 x 1/2 UFPHMS, 10 x 1 FPHWS (3.5x3.5 hinge size only)



Specifications

Material substrate	Made from brass, 1040 steel or 304 series stainless steel
Certifications	<ul style="list-style-type: none"> ▪ Certified ANSI/BHMA A156.1 for performance standards ▪ Meets ANSI/BHMA 156.7 for template hinge dimensions ▪ UL Classified for windstorm rated assemblies - R37965 ▪ UL 10C Listed for steel only (3 hour)

Dimensions

Height x width	Size (mm)	Gauge
3.5 x 3.5	89 x 89	0.123
4 x 4	102 x 102	0.130
4.5 x 4	114 x 102	0.134
4.5 x 4.5	114 x 114	0.134
5 x 4.5	127 x 114	0.146
5 x 5	127 x 127	0.146

Refer to General Hinge Information page to determine proper hinge for application

Options

NRP	Non-removable pin	TW4	Four wire
HT	Hospital tip	TW4M*	Four wire with monitor
SH	Security stud - comes standard with NRP	TW8	Eight wire
RC^{-1/4}, RC^{-5/8}	Rounded corners	TW8M*	Eight wire with monitor
SEC	Security fasteners - pin-in-socket (for hollow metal doors and frames only)	TW12	Twelve wire
		MON*	Monitor

*TW and MON options are not available on 4 x 4 or smaller.

Finishes

BHMA	Description	Substrate	Finish
600	Primer Paint	Steel	USP
605	Bright Brass	Brass	US3
606	Satin Brass	Brass	US4
612	Satin Bronze	Brass	US10
613	Oil Rubbed Bronze	Brass	US10B
614	Oxidized Bronze	Brass	US10A
619	Satin Nickel	Brass	US15
622	Matte Black	Brass	B-BLK
625	Bright Chrome	Brass	US26
626	Satin Chrome	Brass	US26D
643e/716	Aged Bronze	Brass	B-643e/716
629	Bright Stainless	Stainless steel	US32
630	Satin Stainless	Stainless steel	US32D
631	Matte Black	Steel	F-BLK
632	Bright Brass	Steel	US3
633	Satin Brass	Steel	US4
639	Satin Bronze	Steel	US10
640	Oil Rubbed Bronze	Steel	US10B
641	Oxidized Bronze	Steel	US10A
646	Satin Nickel	Steel	US15
651	Bright Chrome	Steel	US26
652	Satin Chrome	Steel	US26D
643e/716	Aged Bronze	Steel	F-643e/716
695	Dark Bronze Painted	Steel	F-695/US10BE

For other colors, consult factory.

Hinges and pivots

Architectural hinges

3CB1HW

3 Knuckle, concealed bearing, heavy weight full mortise hinge

- Recommended for heavier weight doors (>150 lbs)
- Recommended for high frequency usage (400 cycles per day)
- Made with two heavy duty concealed nylon bearings
- Recommended for use with a door closer
- Packed with fasteners for hollow metal and wood doors
 - 12-24 x 1/2 UFPHMS, 12 x 1 1/4 FPHWS



Specifications

Material substrate	Made from brass, 1040 steel or 304 series stainless steel
Certifications	<ul style="list-style-type: none"> ▪ Certified to ANSI/BHMA A156.1 for performance standards ▪ Meets ANSI/BHMA 156.7 for template hinge dimensions ▪ UL Classified for windstorm rated assemblies - R37965 ▪ UL10C Listed for steel only (3 hour)

Dimensions

Height x width	Size (mm)	Gauge
4.5 x 4	114 x 102	0.180
4.5 x 4.5	114 x 114	0.180
5 x 4.5	127 x 114	0.190
5 x 5	127 x 127	0.190

Refer to General Hinge Information page to determine proper hinge for application

Options

NRP	Non-removable pin	TW4	Four wire
HT	Hospital tip	TW4M	Four wire with monitor
SH	Security stud - comes standard with NRP	TW8	Eight wire
RC^{-1/4}, RC^{-5/8}	Rounded corners	TW8M	Eight wire with monitor
SEC	Security fasteners - pin-in-socket (for hollow metal doors and frames only)	TW12	Twelve wire
		MON	Monitor

Finishes

BHMA	Description	Substrate	Finish
600	Primer Paint	Steel	USP
605	Bright Brass	Brass	US3
606	Satin Brass	Brass	US4
612	Satin Bronze	Brass	US10
613	Oil Rubbed Bronze	Brass	US10B
614	Oxidized Bronze	Brass	US10A
619	Satin Nickel	Brass	US15
622	Matte Black	Brass	B-BLK
625	Bright Chrome	Brass	US26
626	Satin Chrome	Brass	US26D
643e/716	Aged Bronze	Brass	B-643e/716
629	Bright Stainless	Stainless steel	US32
630	Satin Stainless	Stainless steel	US32D
631	Matte Black	Steel	F-BLK
632	Bright Brass	Steel	US3
633	Satin Brass	Steel	US4
639	Satin Bronze	Steel	US10
640	Oil Rubbed Bronze	Steel	US10B
641	Oxidized Bronze	Steel	US10A
646	Satin Nickel	Steel	US15
651	Bright Chrome	Steel	US26
652	Satin Chrome	Steel	US26D
643e/716	Aged Bronze	Steel	F-643e/716
695	Dark Bronze Painted	Steel	F-695/US10BE

For other colors, consult factory.

3CBIWT

3 Knuckle, concealed bearing, wide throw full mortise hinge

- Recommended for medium weight doors (<150 lbs)
- Recommended for medium frequency usage (<400 cycles per day)
- Made with two concealed nylon bearings
- Recommended for use with a door closer
- Packed with fasteners for hollow metal and wood doors
 - 12-24 x 1½ UFPHMS, 12 x 1¼ FPHWS



Specifications

Material substrate	1040 steel
Certifications	<ul style="list-style-type: none"> ▪ Certified ANSI/BHMA A156.1 for performance standards ▪ Meets ANSI/BHMA 156.7 for template hinge dimensions

Dimensions

Height x Width	Size (mm)	Gauge
4.5 x 5	114 x 127	0.134
4.5 x 6	114 x 152	0.134
5 x 6	127 x 152	0.146
5 x 7	127 x 178	0.146
5 x 8	127 x 203	0.146

Refer to General Hinge Information page to determine proper hinge for application

Options

NRP	Non-removable pin	TW4	Four wire
HT	Hospital tip	TW4M	Four wire with monitor
SH	Security stud - comes standard with NRP	TW8	Eight wire
RC-1/4, RC-5/8	Rounded corners	TW8M	Eight wire with monitor
SEC	Security fasteners - pin-in-socket (for hollow metal doors and frames only)	TW12	Twelve wire
		MON	Monitor

Finishes

BHMA	Description	Substrate	Finish
600	Primer Paint	Steel	USP
631	Matte Black	Steel	F-BLK
632	Bright Brass	Steel	US3
633	Satin Brass	Steel	US4
639	Satin Bronze	Steel	US10
640	Oil Rubbed Bronze	Steel	US10B
641	Oxidized Bronze	Steel	US10A
646	Satin Nickel	Steel	US15
651	Bright Chrome	Steel	US26
652	Satin Chrome	Steel	US26D
643e/716	Aged Bronze	Steel	F-643e/716
695	Dark Bronze Painted	Steel	F-695/US10BE

For other colors, consult factory.

Hinges and pivots

Architectural hinges

3SP1

3 Knuckle, spring full mortise hinge

- For use with doors where self-closing is required
- Maximum door weight 120 lbs, max door width 36"
- Maximum labeled door size - 3'0" wide x 7'0" x 1 3/4" thick as set in NFPA #80
- Packed with fasteners for hollow metal and half metal/half wood applications
 - 12-24 x 1/2 UFPHMS, 12 x 1 1/4 FPHWS
 - Pin for setting spring tension
 - Adjusting wrench

Specifications

Material substrate	1040 steel or 304 series stainless steel
Certifications	<ul style="list-style-type: none"> ▪ Meets ANSI/BHMA 156.7 for template hinge dimensions ▪ UL Listed for use with fire rated doors

Dimensions

Height x Width	Size (mm)	Gauge
4 x 4	102 x 102	0.130
4.5 x 4	114 x 102	0.134
4.5 x 4.5	114 x 114	0.134

Refer to General Hinge Information page to determine proper hinge for application.

Options

RC-1/4, RC-5/8	Rounded corners
SEC	Security fasteners - pin-in-socket (for hollow metal doors and frames only)

Finishes

BHMA	Description	Substrate	Finish
600	Primer Paint	Steel	USP
629	Bright Stainless	Stainless steel	US32
630	Satin Stainless	Stainless steel	US32D
631	Matte Black	Steel	F-BLK
632	Bright Brass	Steel	US3
633	Satin Brass	Steel	US4
639	Satin Bronze	Steel	US10
640	Oil Rubbed Bronze	Steel	US10B
641	Oxidized Bronze	Steel	US10A
646	Satin Nickel	Steel	US15
651	Bright Chrome	Steel	US26
652	Satin Chrome	Steel	US26D
643e/716	Aged Bronze	Steel	F-643e/716
695	Dark Bronze Painted	Steel	F-695/US10BE

For other colors, consult factory.

Hinge selection guide

Door size and weight	Number of spring hinges	Number of anti-friction template butt hinges	Spring hinge location
Door up to 70 lbs (32 kg) and not exceeding 1 3/4" (44 mm) thickness, 36" (914 mm) width and 90" (2286 mm) height	1	2	Center
Door up to 90 lbs (41 kg) and not exceeding 1 3/4" (44 mm) thickness, 36" (914 mm) width and 90" (2286 mm) height	2	1	Center and bottom
Door up to 120 lbs (54 kg) and not exceeding 1 3/4" (44 mm) thickness, 36" (914 mm) width and 96" (2438 mm) height	3	0	All



5PB1

5 Knuckle, plain bearing full mortise hinge

- Recommended for standard weight doors
- Recommended for low frequency usage
- Not recommended for use with a door closer
- Packed with fasteners for hollow metal and wood doors
 - 12-24 x 1/2 UFPHMS, 12 x 1 1/4 FPHWS
 - 10-24 x 1/2 UFPHMS, 10 x 1 FPHWS (3.5x3.5 hinge size only)



Specifications

Material substrate	Made from brass, 1040 steel or 304 series stainless steel
Certifications	<ul style="list-style-type: none"> ▪ Certified ANSI/BHMA A156.1 for performance standards ▪ Meets ANSI/BHMA 156.7 for template hinge dimensions

Dimensions

Height x Width	Size (mm)	Gauge
3.5 x 3.5	89 x 89	0.123
4 x 4	102 x 102	0.130
4.5 x 4	114 x 102	0.134
4.5 x 4.5	114 x 114	0.134
5 x 4.5	127 x 114	0.146

Refer to General Hinge Information page to determine proper hinge for application

Options

NRP	Non-removable pin
HT	Hospital tip
SH	Security stud - comes standard with NRP
RC^{-1/4}, RC^{-5/8}	Rounded corners
SEC	Security fasteners - pin-in-socket (for hollow metal doors and frames only)

Finishes

BHMA	Description	Substrate	Finish
600	Primer Paint	Steel	USP
605	Bright Brass	Brass	US3
606	Satin Brass	Brass	US4
612	Satin Bronze	Brass	US10
613	Oil Rubbed Bronze	Brass	US10B
614	Oxidized Bronze	Brass	US10A
619	Satin Nickel	Brass	US15
622	Matte Black	Brass	B-BLK
625	Bright Chrome	Brass	US26
626	Satin Chrome	Brass	US26D
643e/716	Aged Bronze	Brass	B-643e/716
629	Bright Stainless	Stainless steel	US32
630	Satin Stainless	Stainless steel	US32D
631	Matte Black	Steel	F-BLK
632	Bright Brass	Steel	US3
633	Satin Brass	Steel	US4
639	Satin Bronze	Steel	US10
640	Oil Rubbed Bronze	Steel	US10B
641	Oxidized Bronze	Steel	US10A
646	Satin Nickel	Steel	US15
651	Bright Chrome	Steel	US26
652	Satin Chrome	Steel	US26D
643e/716	Aged Bronze	Steel	F-643e/716
695	Dark Bronze Painted	Steel	F-695/US10BE

For other colors, consult factory.

Hinges and pivots

Architectural hinges

5BB1

5 Knuckle, ball bearing full mortise hinge

- Recommended for medium weight doors (<150 lbs)
- Recommended for medium frequency usage (<400 cycles per day)
- Made with two ball bearing assemblies
- Recommended for use with a door closer
- Packed with fasteners for hollow metal and wood doors
 - 12-24 x 1/2 UFPHMS, 12 x 1 1/4 FPHWS
 - 10-24 x 1/2 UFPHMS, 10 x 1 FPHWS (3.5x3.5 hinge size only)

Specifications

Material substrate	Made from brass, 1040 steel or 304 series stainless steel
Certifications	<ul style="list-style-type: none"> ▪ Certified to ANSI/BHMA A156.1 for performance standards ▪ Meets ANSI/BHMA 156.7 for template hinge dimensions ▪ UL Classified for windstorm rated assemblies - R37965 ▪ UL10C Listed for steel only (3 hour)

Dimensions

Height x Width	Size (mm)	Gauge
3.5 x 3.5	89 x 89	0.123
4 x 4	102 x 102	0.130
4.5 x 4	114 x 102	0.134
4.5 x 4.5	114 x 114	0.134
5 x 4.5	127 x 114	0.146
5 x 5	127 x 127	0.146

Refer to General Hinge Information page to determine proper hinge for application

Options

NRP	Non-removable pin	TW4	Four wire
HT	Hospital tip	TW4M*	Four wire with monitor
SH	Security stud - comes standard with NRP	TW8	Eight wire
RC-1/4, RC-5/8	Rounded corners	TW8M*	Eight wire with monitor
SEC	Security fasteners - pin-in-socket (for hollow metal doors and frames only)	TW12	Twelve wire
		MON*	Monitor

*TW and MON options are not available on 4 x 4 or smaller.

Finishes

BHMA	Description	Substrate	Finish
600	Primer Paint	Steel	USP
605	Bright Brass	Brass	US3
606	Satin Brass	Brass	US4
612	Satin Bronze	Brass	US10
613	Oil Rubbed Bronze	Brass	US10B
614	Oxidized Bronze	Brass	US10A
619	Satin Nickel	Brass	US15
622	Matte Black	Brass	B-BLK
625	Bright Chrome	Brass	US26
626	Satin Chrome	Brass	US26D
643e/716	Aged Bronze	Brass	B-643e/716
695	Dark Bronze Painted	Brass	B-695/US10BE
629	Bright Stainless	Stainless steel	US32
630	Satin Stainless	Stainless steel	US32D
631	Matte Black	Steel	F-BLK
632	Bright Brass	Steel	US3
633	Satin Brass	Steel	US4
639	Satin Bronze	Steel	US10
640	Oil Rubbed Bronze	Steel	US10B
641	Oxidized Bronze	Steel	US10A
646	Satin Nickel	Steel	US15
651	Bright Chrome	Steel	US26
652	Satin Chrome	Steel	US26D
643e/716	Aged Bronze	Steel	F-643e/716
695	Dark Bronze Painted	Steel	F-695/US10BE

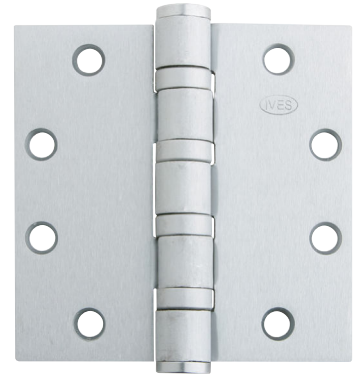
For other colors, consult factory.



5BB1HW

5 Knuckle, ball bearing, heavy weight full mortise hinge

- Recommended for heavier weight doors (>150 lbs)
- Recommended for high frequency usage (400 cycles per day)
- Made with four ball bearing assemblies
- Recommended for use with a door closer
- Packed with fasteners for hollow metal and wood doors
 - 12-24 x 1½ UFPHMS, 12 x 1¼ FPHWS



Specifications

Material substrate	Made from brass, 1040 steel or 304 series stainless steel
Certifications	<ul style="list-style-type: none"> ▪ Certified ANSI/BHMA A156.1 for performance standards ▪ Meets ANSI/BHMA 156.7 for template hinge dimensions ▪ UL Classified for windstorm rated assemblies - R37965 ▪ UL 10C Listed for steel only (3 hour)

Dimensions

Height x Width	Size (mm)	Gauge
4.5 x 4	114 x 102	0.180
4.5 x 4.5	114 x 114	0.180
5 x 4.5	127 x 114	0.190
5 x 5	127 x 127	0.190

Refer to General Hinge Information page to determine proper hinge for application

Options

NRP	Non-removable pin	TW4	Four wire
HT	Hospital tip	TW4M	Four wire with monitor
SH	Security stud - comes standard with NRP	TW8	Eight wire
RC-1/4, RC-5/8	Rounded corners	TW8M	Eight wire with monitor
SEC	Security fasteners - pin-in-socket (for hollow metal doors and frames only)	TW12	Twelve wire
		MON	Monitor

Finishes

BHMA	Description	Substrate	Finish
600	Primer Paint	Steel	USP
605	Bright Brass	Brass	US3
606	Satin Brass	Brass	US4
612	Satin Bronze	Brass	US10
613	Oil Rubbed Bronze	Brass	US10B
614	Oxidized Bronze	Brass	US10A
619	Satin Nickel	Brass	US15
622	Matte Black	Brass	B-BLK
625	Bright Chrome	Brass	US26
626	Satin Chrome	Brass	US26D
643e/716	Aged Bronze	Brass	B-643e/716
629	Bright Stainless	Stainless steel	US32
630	Satin Stainless	Stainless steel	US32D
631	Matte Black	Steel	F-BLK
632	Bright Brass	Steel	US3
633	Satin Brass	Steel	US4
639	Satin Bronze	Steel	US10
640	Oil Rubbed Bronze	Steel	US10B
641	Oxidized Bronze	Steel	US10A
646	Satin Nickel	Steel	US15
651	Bright Chrome	Steel	US26
652	Satin Chrome	Steel	US26D
643e/716	Aged Bronze	Steel	F-643e/716
695	Dark Bronze Painted	Steel	F-695/US10BE

For other colors, consult factory.

Hinges and pivots

Architectural hinges

5BBIWT

5 Knuckle, ball bearing, wide throw full mortise hinge

- Recommended for medium weight doors (<150 lbs)
- Recommended for medium frequency usage (<400 cycles per day)
- Made with two ball bearing assemblies
- Recommended for use with a door closer
- Packed with fasteners for hollow metal and wood doors
 - 12-24 x 1/2 UFPHMS, 12 x 1 1/4 FPHWS



Specifications

Material substrate	1040 steel
Certifications	<ul style="list-style-type: none"> ▪ Certified ANSI/BHMA A156.1 for performance standards ▪ Meets ANSI/BHMA 156.7 for template hinge dimensions

Dimensions

Height x Width	Size (mm)	Gauge
4.5 x 5	114 x 127	0.134
4.5 x 6	114 x 152	0.134
5 x 6	127 x 152	0.146
5 x 7	127 x 178	0.146
5 x 8	127 x 203	0.146

Refer to General Hinge Information page to determine proper hinge for application

Options

NRP	Non-removable pin	TW4	Four wire
HT	Hospital tip	TW4M	Four wire with monitor
SH	Security stud - comes standard with NRP	TW8	Eight wire
RC-1/4, RC-5/8	Rounded corners	TW8M	Eight wire with monitor
SEC	Security fasteners - pin-in-socket (for hollow metal doors and frames only)	MON	Monitor

All electrified wide throws are an engineered special.

Finishes

BHMA	Description	Substrate	Finish
600	Primer Paint	Steel	USP
631	Matte Black	Steel	F-BLK
632	Bright Brass	Steel	US3
633	Satin Brass	Steel	US4
639	Satin Bronze	Steel	US10
640	Oil Rubbed Bronze	Steel	US10B
641	Oxidized Bronze	Steel	US10A
646	Satin Nickel	Steel	US15
651	Bright Chrome	Steel	US26
652	Satin Chrome	Steel	US26D
643e/716	Aged Bronze	Steel	F-643e/716
695	Dark Bronze Painted	Steel	F-695/US10BE

For other colors, consult factory.

5BB1SC / 5BB1BSC

5 Knuckle, ball bearing, swing clear, full mortise hinges (square and beveled)

- Designed to completely clear the opening when door is opened 92°
- Recommended for use in ADA door opening applications
- 5BB1SC made for square edge doors
- 5BB1BSC made for beveled edge doors
- Recommended for medium weight doors (<150 lbs)
- Recommended for medium frequency usage (<400 cycles per day)
- Made with two ball bearing assemblies
- Packed with fasteners for hollow metal and wood doors
 - 12-24 x 1½ UFPHMS, 12 x 1¼ FPHWS



Meets ANSI/BHMA A156.1
A8122 – Steel
A5122 – Stainless Steel

Specifications

Material substrate	Made from 1040 steel or 304 series stainless steel
Certifications	<ul style="list-style-type: none"> ▪ Certified to ANSI/BHMA A156.1 for performance standards ▪ Meets ANSI/BHMA 156.7 for template hinge dimensions

Dimensions

Height x Width	Size (mm)	Gauge
4.5	114	0.134
5	127	0.146

Refer to General Hinge Information page to determine proper hinge for application

Options

NRP	Non-removable pin	TW4	Four wire
HT	Hospital tip	TW8	Eight wire
RC-1/4, RC-5/8	Rounded corners	TW12	Twelve wire
SEC	Security fasteners - pin-in-socket (for hollow metal doors and frames only)	MON	Monitor

Finishes

BHMA	Description	Substrate	Finish
600	Primer Paint	Steel	USP
629	Bright Stainless	Stainless steel	US32
630	Satin Stainless	Stainless steel	US32D
631	Matte Black	Steel	F-BLK
632	Bright Brass	Steel	US3
633	Satin Brass	Steel	US4
639	Satin Bronze	Steel	US10
640	Oil Rubbed Bronze	Steel	US10B
641	Oxidized Bronze	Steel	US10A
646	Satin Nickel	Steel	US15
651	Bright Chrome	Steel	US26
652	Satin Chrome	Steel	US26D
643e/716	Aged Bronze	Steel	F-643e/716
695	Dark Bronze Painted	Steel	F-695/US10BE

For other colors, consult factory.

Hinges and pivots

Architectural hinges

5BB1HWSC / 5BB1HWBSC

5 Knuckle, ball bearing, heavy weight, swing clear, full mortise hinges (square and beveled)

- Designed to completely clear the opening when door is opened 92°
- Recommended for use in ADA door opening applications
- 5BB1SCHW made for square edge doors
- 5BB1BSCHW made for beveled edge doors
- Recommended for heavier weight doors (>150 lbs)
- Recommended for high frequency usage (400 cycles per day)
- Made with four ball bearing assemblies
- Packed with fasteners for hollow metal and wood doors
 - 12-24 x 1/2 UFPHMS, 12 x 1/4 FPHWS



Specifications

Material substrate	Made from brass, 1040 steel or 304 series stainless steel
Certifications	<ul style="list-style-type: none"> ▪ Certified to ANSI/BHMA A156.1 for performance standards ▪ Meets ANSI/BHMA 156.7 for template hinge dimensions

Dimensions

Height x Width	Size (mm)	Gauge
4.5	114	0.180
5	127	0.190

Refer to General Hinge Information page to determine proper hinge for application

Options

NRP	Non-removable pin	TW4	Four wire
HT	Hospital tip	TW8	Eight wire
RC-1/4, RC-5/8	Rounded corners	TW12	Twelve wire
SEC	Security fasteners - pin-in-socket (for hollow metal doors and frames only)	MON	Monitor

Finishes

BHMA	Description	Substrate	Finish
600	Primer Paint	Steel	USP
629	Bright Stainless	Stainless steel	US32
630	Satin Stainless	Stainless steel	US32D
631	Matte Black	Steel	F-BLK
632	Bright Brass	Steel	US3
633	Satin Brass	Steel	US4
639	Satin Bronze	Steel	US10
640	Oil Rubbed Bronze	Steel	US10B
641	Oxidized Bronze	Steel	US10A
646	Satin Nickel	Steel	US15
651	Bright Chrome	Steel	US26
652	Satin Chrome	Steel	US26D
643e/716	Aged Bronze	Steel	F-643e/716
695	Dark Bronze Painted	Steel	F-695/US10BE

For other colors, consult factory.

1000 Series

Residential hinges

- 3.5 x 3.5 or 4 x 4 plain bearing hinges
- Recommended for doors weighing less than 70 lbs and not exceeding 3'0" x 7'0"
- Recommended for low frequency, residential applications
- Features removable pin and cap
- Now compatible with Ives hinge pin door stops, models 69, 70, 72, 73
- Not recommended for use with a door closer
- For metal door applications see 3PB1 and 5PB1 models
- Available with rounded ($\frac{1}{4}$ " or $\frac{5}{8}$ ") or square corners
- Packed with fasteners for wood doors
 - #9 x 1 FPHWS



1010



1011



1012



1020



1021

Specifications

Material substrate	1040 steel
--------------------	------------

Dimensions

Model	Height x Width (in)	Corner
1010RP	3.5 x 3.5	Square
1011RP	3.5 x 3.5	$\frac{5}{8}$ " Radius
1012RP	3.5 x 3.5	$\frac{1}{4}$ " Radius
1020RP	4 x 4	Square
1021RP	4 x 4	$\frac{5}{8}$ " Radius

Finishes

BHMA	Description	Substrate	Finish
631	Matte Black	Steel	F-622E
632*	Bright Brass	Steel	F-605E
646	Satin Nickel	Steel	F-619E
651	Bright Chrome	Steel	F-625E
652	Satin Chrome	Steel	F-626E
643e/716	Aged Bronze	Steel	F-716E

* Only available on 1011 model. For other colors, consult factory.

Hinges and pivots**Aluminum geared continuous hinges**

Aluminum geared continuous hinges

Geared continuous hinges are designed to last the life of a building by distributing the weight of a door along the entire length of its frame. The geared continuous hinge has no pin. Instead, these hinges utilize a single gear section for the leaf and a separate gear section for the frame side of the door. The two are held in place by a full-length cover channel and rotate on a series of bearings. Ives HD models feature a spread bearing design for lighter weight doors. The XY models feature lateral and vertical adjustment after the hinge is secured to door and frame, a center loaded bearing design to help reduce frame issues and has electric through-wire panel option with a continuous cover.



Hinges and pivots

Aluminum geared continuous hinges

General information

ANSI/BHMA Certified

All Ives aluminum geared hinges are certified to ANSI/BHMA 156.26, Grade 1

XY models: Grade 1 150lb and 300lb door test

HD models: Grade 1 150lb door test

UL Listed

All Ives Aluminum geared hinges are tested and approved UL 10C (90 minutes).

Material

6063-T6 Aluminum.

Hinge duty

All Ives Aluminum geared hinges are heavy duty (XY and HD models).

XY model -
slot adjustability



XY model - bearings



HD model



XY models

- Rounded gear design for extended life and smoother operation
- Patented, center loaded, interlocking bearing design which helps handle the opening and closing of the door better over time (all sizes have 37 bearings)
- XY mounting slot adjustability on all full and half surface models to help with installation
- Frame guidance lip is extended further for retrofit applications to cover existing heavy weight architectural hinge preps
- Improved aesthetics with a curved, articulating cover design which eliminates pinch points

HD models

Features transmission gear design with bearings that are evenly spaced every 3" on center - Amount of bearings varies by size

- 83" - 32 Bearings
- 85" - 32 Bearings
- 95" - 36 Bearings
- 120" - 47 Bearings

Standard lengths

83", 85", 95", 119" (XY models), 120" (HD models)
custom lengths available up to 119", consult factory.
Handing required for 224HD.

Finishes

BHMA	US	Description	Base material
628	US28	Clear Aluminum Anodized	Aluminum
710	313AN	Dark Bronze Anodized	Aluminum
711	315AN	Black Anodized (XY only)	Aluminum

Custom finishes available, consult factory.

Field modifications

Ives aluminum geared continuous hinges can be cut to length from both ends during installation.

XY models

The unique mounting pattern of the XY hinge allows it to be cut down to 69" while still having double row fasteners regardless of the original length of the hinge. Requires the hinge to be cut from both ends. Example: A 119" hinge can have 25" removed from each end to make it a 69" long hinge.

HD models

The unique mounting pattern allows to cut up to 6" from bottom while still having double row fasteners. If cut more than 13.5", other modifications may be necessary.

Door weight

For doors up to 200 lbs, no door reinforcement is required. For doors between 200 and 450 lbs a 16 gauge channel in the frame is required. For doors up to 600 lb, rivet nuts are required in the frame in addition to the frame reinforcement. Max door width of 4'0". For specific door weight reinforcement requirements per model, view the installation instructions and individual product pages for detail.

Lifetime warranty

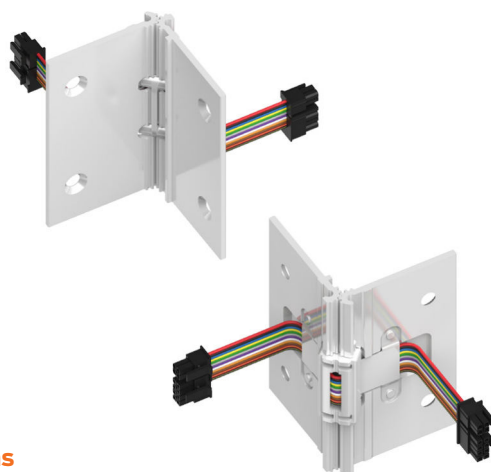
Ives continuous hinges carry a limited lifetime warranty with exception of electrified continuous hinges, which carry a 12 month warranty from time of shipment.

Learn more at us.allegion.com/warranty.

Hinges and pivots

Aluminum geared continuous hinges

General information



Electrification options

Electric power transfer (EPT) available on HD and XY models

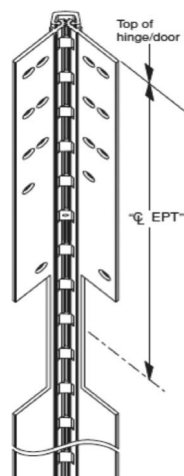
Electric power transfer provides the most secure and best solution for transferring power from the door frame to the edge of a swinging door. Ives Continuous Hinges provide standard cut outs to fit Von Duprin EPT-2, EPT-10 and PNT-1 devices. Consult factory for other electrical cut out options. Door handing is required.

Electrical through-wire panel with Allegion Connect (TWP CON) (XY models only)

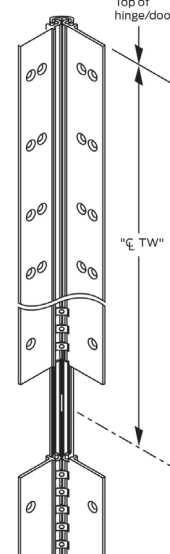
The redesigned XY Through-Wire Panel is heavy duty and easy-to-install. Hinge consists of single piece cover design for improved aesthetics and three sections with a standard bottom length and through-wire panel location. The panel can quickly slip in and out of the hinge for maintenance and replacement. Unlike all of the other manufacturer solutions, the XY through-wire panel maintains a one piece appearance on the cover side of the hinge. The new wire design features a Teflon™ coated wire which greatly improves performance and durability. The new panel also comes standard with the Allegion Connect 8-pin and 4-pin connectors make it easy to connect to other electrical devices. Warrantied for up to 5 years. Door handing is required.

Provides electric power transfer from the frame to the door in order to supply power to an electrified mortise or cylindrical locks, exit devices with electric latch retraction, and/or electric strikes (pairs of doors). Through-wire is rated 50 volts AC/DC at 3.5 amp continuous and 16 amp pulse. Maximum pulse 400 milliseconds. Ives XY TWP hinges are fully compatible with up to 12 wire requirements.

EPT 112HD



TWP XY Series



Note: See ordering guide in price book for proper placement.

Electrical cutouts

Ives aluminum continuous hinges are available with factory modified cutouts to accommodate most electrical frame to door requirements. Special templates are required.

When ordering indicate the following:

1. Door size.
2. Handing. LH, RH, LHR or RHR.
3. Manufacturer and model number of the electrical product being used. Example: Von Duprin ETPT2.

Because clearances may vary between door and frame manufacturer, and locations can be influenced by the door hardware it is always recommend contacting Ives Customer Technical for specific template information.

In accordance with industry standards, all cutouts are made from top edge of door to center line of cut-out. If top of door to top of cut-out is provided, $4\frac{5}{8}$ " are added to the dimension provided to determine the centerline of the cut-out. This provides an extra $\frac{1}{8}$ " of tolerance to ensure the EPT will fit during installation when varying installation methods are used.

Standard cut out locations for EPTs and TWP options

Standard length	HD	XY	XY
	EPT	EPT	TWP CON
83"	30"	30"	43.5"
85"	32"	32"	45.5"
95"	42"	42"	55.5"
119" (XY)	—	66"	79.5"
120" (HD)	67"	—	—

XY TWP CON is located 39.5 inches from bottom of the hinge. Consult factory for TWP locations on custom length hinges.

Hinges and pivots

Aluminum geared continuous hinges

Mounting hardware

Standard hardware

Full mortise hinges	12-24 x 3/4" Steel self drilling / self tapping Phillips-head screw
Half surface hinges	12-24 x 3/4" Steel self drilling / self tapping Phillips-head screw
Includes 210XY	12-24 x 3/4" Steel self drilling / self tapping hex head screw 1/4-20 x 3/4" Phillips-head machine screws and pan head through bolts
Full surface hinges	12-24 x 3/4" Steel self drilling / self tapping hex head screw
157XY only	1/4-20 x 3/4" Phillips-head machine screws and pan head through bolts

Security screws - Hollow metal door and frame (SEC/HM)

Full mortise hinges	12-24 X 1/2" Stainless steel socket security screw
112HD and 224HD only	Available as accessory parts kit for full mortise XY hinges (026XY, 027XY, 040XY, 041XY, 112XY, 114XY, 224XY)

Security screws - 1/2 wood, 1/2 hollow metal (SEC/WD/HM)

Full Mortise Hinges	12-24 X 1/2" Stainless steel socket security screw
112HD and 224HD only	12 X 1 1/4" Stainless steel socket security wood screw
	Available as accessory parts kit for full mortise XY hinges (026XY, 027XY, 040XY, 041XY, 112XY, 114XY, 224XY)

1/2 Self drill, self tap / 1/2 wood (TekS/WD)

Full mortise hinges	12-24 x 3/4" Steel self drilling/self tapping Phillips-head screw	12 x 1 1/4" Phillips-head wood screw
Half surface hinges	12-24 x 3/4" Steel self drilling /self tapping Phillips-head screw	1/4 x 1 1/2" Hex head lag screw
Full surface hinges	12-24 x 3/4" Steel self drilling/self tapping hex head screw	1/4 x 1 1/2" Hex head lag screw

Wood door and frame (WD)

Full mortise hinges	12 x 1 1/4" Phillips-head wood screw
Half surface hinges	12 x 1 1/4" Phillips-head wood screw
Includes 210XY	1/4 x 1 1/2" Hex head lag screw
Full surface hinges	1/4 x 1 1/2" Hex head lag screw
157XY only	

Thread forming (TF)

Full mortise hinges	12-24 x 3/4" Steel thread forming Phillips-head screw
112HD and 224HD only	Available as accessory parts kit for full mortise XY hinges (026XY, 027XY, 040XY, 041XY, 112XY, 114XY, 224XY)

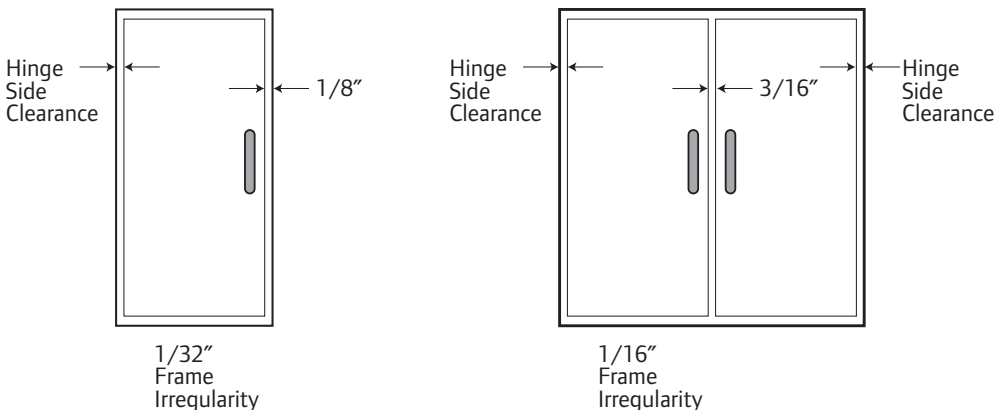
Hinges and pivots

Aluminum geared continuous hinges

Clearance requirements

Consult your local authority having jurisdiction for specific fire codes relating to fire rated doors.

The table below is only recommended for non fire related doors.



Single door

Model	Hinge-side clearance	Lock-side clearance	Frame irregularity	Beveled door clearance	Door under-sizing	
					Square edged	Beveled edge
026XY	5/16"	1/8"	1/32"	1/32"	15/32"	1/2"
027XY	5/16"	1/8"	1/32"	1/32"	15/32"	1/2"
040XY	5/16"	1/8"	1/32"	1/32"	15/32"	1/2"
041XY	5/16"	1/8"	1/32"	1/32"	15/32"	1/2"
045XY	5/16"	1/8"	1/32"	1/32"	5/16"	11/32"
046XY	5/16"	1/8"	1/32"	1/32"	5/16"	11/32"
053XY	5/16"	1/8"	1/32"	1/32"	5/16"	11/32"
054XY	5/16"	1/8"	1/32"	1/32"	5/16"	11/32"
112HD	5/16"	1/8"	1/32"	1/32"	15/32"	1/2"
112XY	5/16"	1/8"	1/32"	1/32"	15/32"	1/2"
114XY	5/16"	1/8"	1/32"	1/32"	15/32"	1/2"
157XY	1/16"	1/8"	1/32"	1/32"	7/32"	1/4"
210XY	1/16"	1/8"	1/32"	1/32"	7/32"	1/4"
224HD	5/16"	1/8"	1/32"	1/32"	15/32"	1/2"
224XY	5/16"	1/8"	1/32"	1/32"	15/32"	1/2"

Pair of doors

Model	Hinge-side clearance (2 doors)	Lock-side clearance	Frame irregularity (2 doors)	Beveled door clearance (2 doors)	Door under-sizing			
					Square edge total	Square edge each door	Beveled edge total	Beveled edge each door
026XY	5/8"	3/16"	1/16"	1/16"	7/8"	7/16"	5/16"	15/32"
027XY	5/8"	3/16"	1/16"	1/16"	7/8"	7/16"	5/16"	15/32"
040XY	5/8"	3/16"	1/16"	1/16"	7/8"	7/16"	5/16"	15/32"
041XY	5/8"	3/16"	1/16"	1/16"	7/8"	7/16"	5/16"	15/32"
045XY	5/16"	3/16"	1/16"	1/16"	9/16"	9/32"	5/8"	5/16"
046XY	5/16"	3/16"	1/16"	1/16"	9/16"	9/32"	5/8"	5/16"
053XY	5/16"	3/16"	1/16"	1/16"	9/16"	9/32"	5/8"	5/16"
054XY	5/16"	3/16"	1/16"	1/16"	9/16"	9/32"	5/8"	5/16"
112HD	5/8"	3/16"	1/16"	1/16"	7/8"	7/16"	5/16"	15/32"
112XY	5/8"	3/16"	1/16"	1/16"	7/8"	7/16"	5/16"	15/32"
114XY	5/8"	3/16"	1/16"	1/16"	7/8"	7/16"	5/16"	15/32"
157XY	1/8"	3/16"	1/16"	1/16"	3/8"	3/16"	7/16"	7/32"
210XY	1/8"	3/16"	1/16"	1/16"	3/8"	3/16"	7/16"	7/32"
224HD	5/8"	3/16"	1/16"	1/16"	7/8"	7/16"	5/16"	15/32"
224XY	5/8"	3/16"	1/16"	1/16"	7/8"	7/16"	5/16"	15/32"

Templates and installation instructions available on line at www.allegion.com/us

Hinges and pivots

Aluminum geared continuous hinges

How to order

Model	Finish	Length	Option			
1	2	3	4			
112XY	-	628	-	83	-	TWP CON

Detail

1 Model

026XY	Full mortise - narrow frame leaf, wide door leaf
027XY	Full mortise - wide door leaf
040XY	Full mortise - wide throw
041XY	Full mortise - swing clear
045XY	Half surface - narrow frame leaf, wide door leaf
046XY	Half surface - wide door leaf
053XY	Half surface - narrow frame leaf, narrow door leaf
054XY	Half surface - narrow door leaf
112XY	Full mortise - narrow frame and door leaf
112HD	Full mortise - narrow frame and door leaf
114XY	Full mortise - narrow frame leaf, door edge protector
157XY	Full surface - center pivot
210XY	Full surface - swing clear
224XY	Full mortise - door edge protector
224HD	Full mortise - door edge protector

2 Finish

BHMA	Description	Substrate	Finish
628	Clear Aluminum Anodized	Aluminum	US28
710	Dark Bronze Anodized	Aluminum	313AN
711	Black Anodized	Aluminum	315AN

View product pages for specific finish availability per model. Consult the factory for custom finish availability.

3 Length

83"
85"
95"
119" (XY) / 120" (HD)

Custom lengths available up to 119", consult factory. When specifying length, handing required.

4 Option

EPT	Electric power transfer prep (Only available on 026XY, 027XY, 112HD, 112XY, 114XY, 224HD, 224XY) Handing (LH and RH) required for 026, 027, 114, and 224 models
SECHM	Security fasteners - pin-in-socket
SECWDHM	Security fasteners - pin-in-socket (half wood, half hollow metal)
SECWDWD	Security fasteners - pin-in-socket (wood door and frame)
TEKSWD	Half thread forming, half wood
TF	Thread forming screws - pilot hole required (Only available with 112HD and 224HD)
TFWD	Half thread forming, half wood
TWP CON	Through-wire panel with Allegion Connect standard (Only available on 026XY, 027XY, 112XY, 114XY, 224XY)
WD	Wood door fasteners

Hinges and pivots

Aluminum geared continuous hinges

026XY

Full mortise - narrow frame leaf, wide door leaf

- Wide door leaf for 2" and 2 1/4" doors
- Recommended for gasketing and weatherstripping applications
- Patented center loaded, interlocking bearing design
- Non-handed for custom cut lengths
- 3/32" door inset
- 48" Maximum door width
- Beveled or square edge doors
- Frame guidance lip is extended further for retrofit applications to cover existing heavy weight architectural hinge preps.
- For doors weighing up to 450 pounds without reinforcing, 600 pounds with reinforcing

Specifications

Standard length	83", 85", 95", 119"
Standard mounting hardware	12-24 x 3/4" Steel self drilling/self tapping Phillips-head screw
Certifications	<ul style="list-style-type: none"> ▪ Exceeds Grade 1 ANSI/BHMA 156.26 for 150lbs and 300lbs ▪ UL10C listed (90 min)

Options

EPT	Electric power transfer
TWP CON	Electrical through-wire panel with Allegion Connect

Optional mounting hardware

SECHM	Security screws - hollow metal door and frame
SECWDHM	Security screws - 1/2 wood, 1/2 hollow metal
SECWDWD	Security screws - wood door and frame
TEKWD	1/2 Self drill, self tap 1/2 wood
WD	Wood door and frame

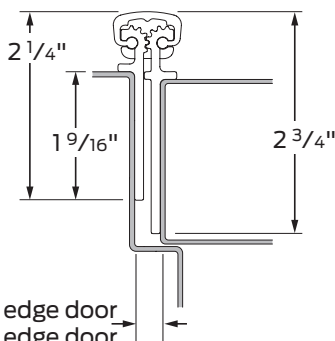
Finishes

BHMA	Description	Substrate	Finish
628	Clear Aluminum Anodized	Aluminum	US28
710	Dark Bronze Anodized	Aluminum	313AN
711	Black Anodized	Aluminum	315AN

Custom anodizing and painting are available, consult factory.

For single door applications:

For pairs of doors see chart and general information.



5/16" Clearance for square edge door
11/32" Clearance for beveled edge door



Hinges and pivots

Aluminum geared continuous hinges

027XY

Full mortise - wide door leaf

- Wide door leaf for 2" and 2 1/4" doors
- Recommended for gasketing and weatherstripping applications
- Patented center loaded, interlocking bearing design
- Non-handed for custom cut lengths
- Flush mounted, no inset
- 48" Maximum door width
- Beveled or square edge doors
- Frame guidance lip is extended further for retrofit applications to cover existing heavy weight architectural hinge preps
- For doors weighing up to 450 pounds without reinforcing, 600 pounds with reinforcing

Specifications

Standard length	83", 85", 95", 119"
Standard mounting hardware	12-24 x 3/4" Steel self drilling/self tapping Phillips-head screw
Certifications	<ul style="list-style-type: none">▪ Exceeds Grade 1 ANSI/BHMA 156.26 for 150lbs and 300lbs▪ UL10C listed (90 min)

Options

EPT	Electric power transfer
TWP CON	Electrical through-wire panel with Allegion Connect

Optional mounting hardware

SECHM	Security screws - hollow metal door and frame
SECWDHM	Security screws - 1/2 wood, 1/2 hollow metal
SECWDWD	Security screws - wood door and frame
TEKSWD	1/2 Self drill, self tap 1/2 wood
WD	Wood door and frame

Finishes

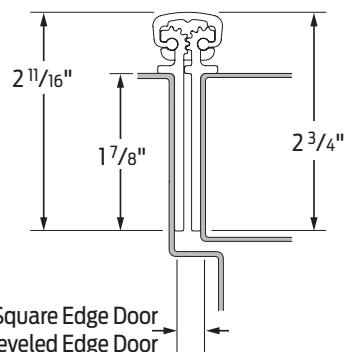
BHMA	Description	Substrate	Finish
628	Clear Aluminum Anodized	Aluminum	US28
710	Dark Bronze Anodized	Aluminum	313AN
711	Black Anodized	Aluminum	315AN

Custom anodizing and painting are available, consult factory



For single door applications:

For pairs of doors see chart and general information.



Hinges and pivots

Aluminum geared continuous hinges

040XY

Full mortise - wide throw

- Wide throw for $1\frac{3}{4}$ " doors
- Patented center loaded, interlocking bearing design
- Non-handed for custom cut lengths
- Flush mounted, no inset
- 48" Maximum door width
- Beveled or square edge doors
- Frame guidance lip is extended further for retrofit applications to cover existing heavy weight architectural hinge preps
- For doors weighing up to 450 pounds without reinforcing, 600 pounds with reinforcing

Specifications

Standard length	83", 85", 95", 119"
Standard mounting hardware	12-24 x $\frac{3}{4}$ " Steel self drilling/self tapping Phillips-head screw
Certifications	<ul style="list-style-type: none"> ▪ Exceeds Grade 1 ANSI/BHMA 156.26 for 150lbs and 300lbs ▪ UL10C listed (90 min)

Optional mounting hardware

SECHM	Security screws - hollow metal door and frame
SECWDHM	Security screws - $\frac{1}{2}$ wood, $\frac{1}{2}$ hollow metal
SECWDWD	Security screws - wood door and frame
TEKSWD	$\frac{1}{2}$ Self drill, self tap $\frac{1}{2}$ wood
WD	Wood door and frame

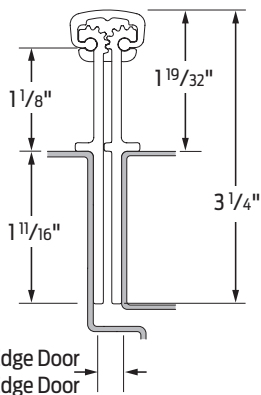
Finishes

BHMA	Description	Substrate	Finish
628	Clear Aluminum Anodized	Aluminum	US28
710	Dark Bronze Anodized	Aluminum	313AN
711	Black Anodized	Aluminum	315AN

Custom anodizing and painting are available, consult factory

For single door applications:

For pairs of doors see chart and general information.



5/16" Clearance for Square Edge Door
11/32" Clearance for Beveled Edge Door



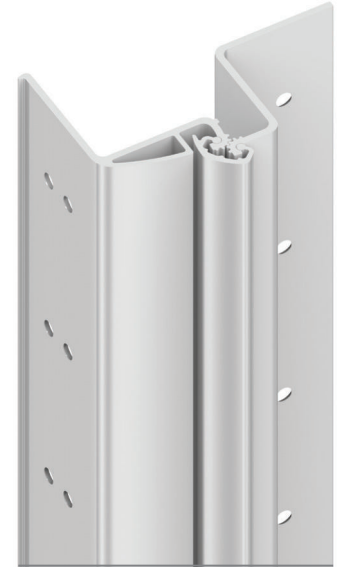
Hinges and pivots

Aluminum geared continuous hinges

041XY

Full mortise - swing clear

- Swing clear for 1³/₄" doors
- Installs easily on doors with 90° opening
- Door edge protector
- Patented center loaded, interlocking bearing design
- Non-handed for custom cut lengths
- 1/16" door inset
- 48" Maximum door width
- Beveled or square edge doors
- For doors weighing up to 450 pounds without reinforcing, 600 pounds with reinforcing



Specifications

Standard length	83", 85", 95", 119"
Standard mounting hardware	12-24 x 3/4" Steel self drilling/self tapping Phillips-head screw
Certifications	<ul style="list-style-type: none">▪ Exceeds Grade 1 ANSI/BHMA 156.26 for 150lbs and 300lbs▪ UL10C listed (90 min)

Optional mounting hardware

SECHM	Security screws - hollow metal door and frame
SECWDHM	Security screws - 1/2 wood, 1/2 hollow metal
SECWDWD	Security screws - wood door and frame
TEKSWD	1/2 Self drill, self tap 1/2 wood
WD	Wood door and frame

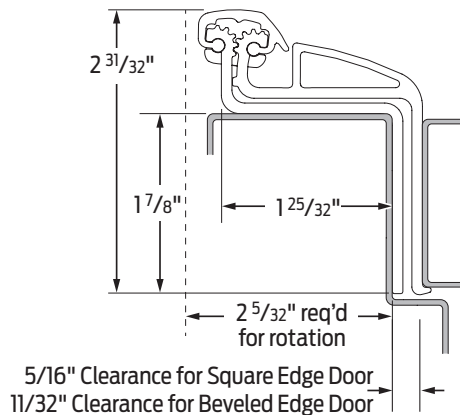
Finishes

BHMA	Description	Substrate	Finish
628	Clear Aluminum Anodized	Aluminum	US28
710	Dark Bronze Anodized	Aluminum	313AN
711	Black Anodized	Aluminum	315AN

Custom anodizing and painting are available, consult factory

For single door applications:

For pairs of doors see chart and general information.



Hinges and pivots

Aluminum geared continuous hinges

045XY

Half surface - narrow frame leaf, wide door leaf

- Half surface for retrofit or new construction
- Frame leaf depth $1\frac{9}{16}$ "
- Patented center loaded, interlocking bearing design
- XY (lateral and vertical) adjustability while hanging the door
- Pinch point between cover and door is eliminated
- Non-handed for custom cut lengths
- $\frac{9}{32}$ " door inset
- Frame guidance lip is extended further for retrofit applications to cover existing heavy weight architectural hinge preps
- For doors weighing up to 450 pounds without reinforcing, 600 pounds with reinforcing

Specifications

Standard length	83", 85", 95", 119"
Standard mounting hardware	<ul style="list-style-type: none"> ▪ $\frac{1}{4}$-20 x $\frac{3}{4}$" Phillips-head machine screws and pan head through bolts ▪ 12-24 x $\frac{3}{4}$" Steel self drilling/self tapping hex head screw ▪ 12-24 x $\frac{3}{4}$" Steel self drilling/self tapping Phillips-head screw
Certifications	<ul style="list-style-type: none"> ▪ Exceeds Grade 1 ANSI/BHMA 156.26 for 150lbs and 300lbs ▪ UL10C listed (90 min)

Optional mounting hardware

SECHM	Security screws - hollow metal door and frame
SECWDHM	Security screws - $\frac{1}{2}$ wood, $\frac{1}{2}$ hollow metal
SECWDWD	Security screws - wood door and frame
TEKSWD	$\frac{1}{2}$ Self drill, self tap $\frac{1}{2}$ wood
WD	Wood door and frame

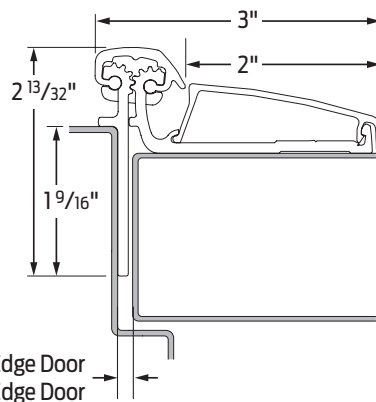
Finishes

BHMA	Description	Substrate	Finish
628	Clear Aluminum Anodized	Aluminum	US28
710	Dark Bronze Anodized	Aluminum	313AN
711	Black Anodized	Aluminum	315AN

Custom anodizing and painting are available, consult factory

For single door applications:

For pairs of doors see chart and general information.



Hinges and pivots

Aluminum geared continuous hinges

046XY

Half surface - wide door leaf

- Half surface for retrofit or new construction
- Frame leaf depth $1\frac{7}{8}$ "
- Patented center loaded, interlocking bearing design
- XY (lateral and vertical) adjustability while hanging the door
- Pinch point between cover and door is eliminated
- Non-handed for custom cut lengths
- $\frac{9}{32}$ " door inset
- Frame guidance lip is extended further for retrofit applications to cover existing heavy weight architectural hinge preps
- For doors weighing up to 450 pounds without reinforcing, 600 pounds with reinforcing



Specifications

Standard length	83", 85", 95", 119"
Standard mounting hardware	<ul style="list-style-type: none">▪ 12-24 x $\frac{3}{4}$" Steel self drilling / self tapping hex head screw▪ 12-24 x $\frac{3}{4}$" Steel self drilling / self tapping Phillips-head screw▪ $\frac{1}{4}$-20 x $\frac{3}{4}$" Phillips-head machine screws and pan head through bolts
Certifications	<ul style="list-style-type: none">▪ Exceeds Grade 1 ANSI/BHMA 156.26 for 150lbs and 300lbs▪ UL10C listed (90 min)

Optional mounting hardware

SECHM	Security screws - hollow metal door and frame
SECWDHM	Security screws - $\frac{1}{2}$ wood, $\frac{1}{2}$ hollow metal
SECWDWD	Security screws - wood door and frame
TEKSWD	$\frac{1}{2}$ Self drill, self tap $\frac{1}{2}$ wood
WD	Wood door and frame

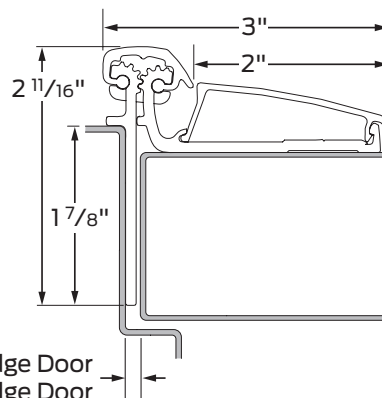
Finishes

BHMA	Description	Substrate	Finish
628	Clear Aluminum Anodized	Aluminum	US28
710	Dark Bronze Anodized	Aluminum	313AN
711	Black Anodized	Aluminum	315AN

Custom anodizing and painting are available, consult factory

For single door applications:

For pairs of doors see chart and general information.



5/32" Clearance for Square Edge Door
3/16" Clearance for Beveled Edge Door

Hinges and pivots

Aluminum geared continuous hinges

053XY

Half surface - narrow frame leaf, narrow door leaf

- Half surface for retrofit or new construction
- Frame leaf depth $1\frac{9}{16}$ "
- Recommended for gasketing and weatherstripping applications
- Patented center loaded, interlocking bearing design
- XY (lateral and vertical) adjustability while hanging the door
- Pinch point between cover and door is eliminated
- Non-handed for custom cut lengths
- $\frac{1}{8}$ " door inset
- Frame guidance lip is extended further for retrofit applications to cover existing heavy weight architectural hinge preps
- For doors weighing up to 450 pounds without reinforcing, 600 pounds with reinforcing

Specifications

Standard length	83", 85", 95", 119"
Standard mounting hardware	<ul style="list-style-type: none"> ▪ $\frac{1}{4}$-20 x $\frac{3}{4}$" Phillips-head machine screws and pan head through bolts ▪ 12-24 x $\frac{3}{4}$" Steel self drilling/self tapping hex head screw ▪ 12-24 x $\frac{3}{4}$" Steel self drilling/self tapping Phillips-head screw
Certifications	<ul style="list-style-type: none"> ▪ Exceeds Grade 1 ANSI/BHMA 156.26 for 150lbs and 300lbs ▪ UL10C listed (90 min)

Optional mounting hardware

SECHM	Security screws - hollow metal door and frame
SECWDHM	Security screws - $\frac{1}{2}$ wood, $\frac{1}{2}$ hollow metal
SECWDWD	Security screws - wood door and frame
TEKSWD	$\frac{1}{2}$ Self drill, self tap $\frac{1}{2}$ wood
WD	Wood door and frame

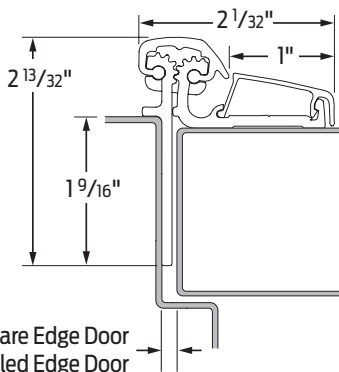
Finishes

BHMA	Description	Substrate	Finish
628	Clear Aluminum Anodized	Aluminum	US28
710	Dark Bronze Anodized	Aluminum	313AN
711	Black Anodized	Aluminum	315AN

Custom anodizing and painting are available, consult factory

For single door applications:

For pairs of doors see chart and general information.



5/32" Clearance for Square Edge Door
3/16" Clearance for Beveled Edge Door



Hinges and pivots

Aluminum geared continuous hinges

054XY

Half surface - narrow door leaf

- Half surface for retrofit or new construction
- Frame leaf depth $1\frac{7}{8}$ "
- Recommended for gasketing and weatherstripping applications
- Patented center loaded, interlocking bearing design
- XY (lateral and vertical) adjustability while hanging the door
- Pinch point between cover and door is eliminated
- Non-handed for custom cut lengths
- $\frac{1}{8}$ " door inset
- Frame guidance lip is extended further for retrofit applications to cover existing heavy weight architectural hinge preps
- For doors weighing up to 450 pounds without reinforcing, 600 pounds with reinforcing



Specifications

Standard length	83", 85", 95", 119"
Standard mounting hardware	<ul style="list-style-type: none">▪ 12-24 x $\frac{3}{4}$" Steel self drilling / self tapping hex head screw▪ 12-24 x $\frac{3}{4}$" Steel self drilling / self tapping Phillips-head screw▪ $\frac{1}{4}$-20 x $\frac{3}{4}$" Phillips-head machine screws and pan head through bolts
Certifications	<ul style="list-style-type: none">▪ Exceeds Grade 1 ANSI/BHMA 156.26 for 150lbs and 300lbs▪ UL10C listed (90 min)

Optional mounting hardware

SECHM	Security screws - hollow metal door and frame
SECWDHM	Security screws - $\frac{1}{2}$ wood, $\frac{1}{2}$ hollow metal
SECWDWD	Security screws - wood door and frame
TEKSWD	$\frac{1}{2}$ Self drill, self tap $\frac{1}{2}$ wood
WD	Wood door and frame

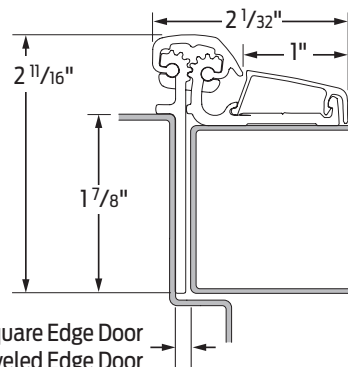
Finishes

BHMA	Description	Substrate	Finish
628	Clear Aluminum Anodized	Aluminum	US28
710	Dark Bronze Anodized	Aluminum	313AN
711	Black Anodized	Aluminum	315AN

Custom anodizing and painting are available, consult factory

For single door applications:

For pairs of doors see chart and general information.



5/32" Clearance for Square Edge Door
3/16" Clearance for Beveled Edge Door

Hinges and pivots

Aluminum geared continuous hinges

112HD

Full mortise - narrow frame and door leaf

- For 1³/₄" doors
- Spread bearing design
- Non-handed for custom cut lengths
- Flush mounted, no inset
- 48" Maximum door width
- Beveled or square edge doors
- For doors weighing up to 450 pounds without reinforcing, 600 pounds with reinforcing

Specifications

Standard length	83", 85", 95", 120"
Standard mounting hardware	12-24 x 3/4" Steel self drilling/self tapping Phillips-head screw
Certifications	<ul style="list-style-type: none"> ▪ Exceeds Grade 1 ANSI/BHMA 156.26 for 150lbs and 300lbs ▪ UL10C listed (90 min)

Options

EPT	Electric power transfer
-----	-------------------------

Optional mounting hardware

SECHM	Security screws - hollow metal door and frame
SECWDHM	Security screws - 1/2 wood, 1/2 hollow metal
SECWDWD	Security screws - wood door and frame
TEKSWD	1/2 Self drill, self tap 1/2 wood
TF	Thread forming screws
WD	Wood door and frame

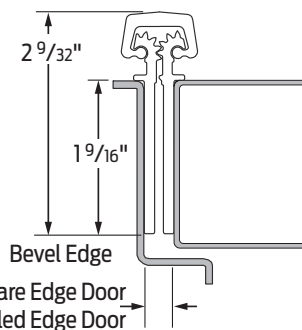
Finishes

BHMA	Description	Substrate	Finish
628	Clear Aluminum Anodized	Aluminum	US28
710	Dark Bronze Anodized	Aluminum	313AN
711	Black Anodized	Aluminum	315AN

Custom anodizing and painting are available, consult factory

For single door applications:

For pairs of doors see chart and general information.



Hinges and pivots

Aluminum geared continuous hinges

112XY

Full mortise - narrow frame and door leaf

- For 1³/₄" doors
- Patented center loaded, interlocking bearing design
- Non-handed for custom cut lengths
- Flush mounted, no inset
- 48" Maximum door width
- Beveled or square edge doors
- Frame guidance lip is extended further for retrofit applications to cover existing heavy weight architectural hinge preps
- For doors weighing up to 450 pounds without reinforcing, 600 pounds with reinforcing

Specifications

Standard length	83", 85", 95", 119"
Standard mounting	12-24 x 3/4" Steel self drilling/self tapping Phillips-head screw hardware
Certifications	<ul style="list-style-type: none">▪ Exceeds Grade 1 ANSI/BHMA 156.26 for 150lbs and 300lbs▪ UL10C listed (90 min)

Options

EPT	Electric power transfer
TWP CON	Electrical through-wire panel with Allegion Connect

Optional mounting hardware

SECHM	Security screws - hollow metal door and frame
SECWDHM	Security screws - 1/2 wood, 1/2 hollow metal
SECWDWD	Security screws - wood door and frame
TEKSWD	1/2 Self drill, self tap 1/2 wood
WD	Wood door and frame

Finishes

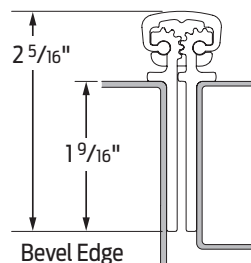
BHMA	Description	Substrate	Finish
628	Clear Aluminum Anodized	Aluminum	US28
710	Dark Bronze Anodized	Aluminum	313AN
711	Black Anodized	Aluminum	315AN

Custom anodizing and painting are available, consult factory



For single door applications:

For pairs of doors see chart and general information.



5/16" Clearance for Square Edge Door
11/32" Clearance for Beveled Edge Door

Hinges and pivots

Aluminum geared continuous hinges

114XY

Full mortise - narrow frame leaf, door edge protector

- For 1³/₄" doors
- Door edge protector
- Recommended for gasketing and weatherstripping applications
- Patented center loaded, interlocking bearing design
- Non-handed for custom cut lengths
- 1/16" door inset
- 48" Maximum door width
- Beveled or square edge doors
- Frame guidance lip is extended further for retrofit applications to cover existing heavy weight architectural hinge preps
- For doors weighing up to 450 pounds without reinforcing, 600 pounds with reinforcing

Specifications

Standard length	83", 85", 95", 119"
Standard mounting hardware	12-24 x 3/4" Steel self drilling/self tapping Phillips-head screw
Certifications	<ul style="list-style-type: none"> ▪ Exceeds Grade 1 ANSI/BHMA 156.26 for 150lbs and 300lbs ▪ UL10C listed (90 min)

Options

EPT	Electric power transfer
TWP CON	Electrical through-wire panel with Allegion Connect

Optional mounting hardware

SECHM	Security screws - hollow metal door and frame
SECWDHM	Security screws - 1/2 wood, 1/2 hollow metal
SECWDWD	Security screws - wood door and frame
TEKSWD	1/2 Self drill, self tap 1/2 wood
WD	Wood door and frame

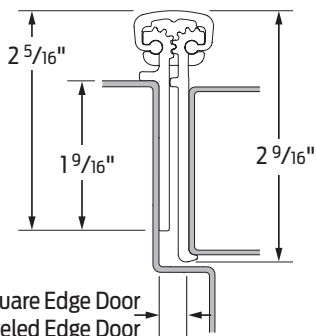
Finishes

BHMA	Description	Substrate	Finish
628	Clear Aluminum Anodized	Aluminum	US28
710	Dark Bronze Anodized	Aluminum	313AN

Custom anodizing and painting are available, consult factory.

For single door applications:

For pairs of doors see chart and general information.



Hinges and pivots

Aluminum geared continuous hinges

157XY

Full surface

- A patented easy-to-install, heavy duty, full surface continuous hinge
- Narrow frame
- Patented center loaded, interlocking bearing design
- XY (lateral and vertical) adjustability while hanging the door
- Articulating cover design eliminates pinch point between center channel cover and door and frame leaf covers
- Non-handed for custom cut lengths
- 1/16" door inset
- 48" Maximum door width
- Beveled or square edge doors
- For doors weighing up to 550 lbs

Specifications

Standard length	83", 95", 119"
Standard mounting hardware	<ul style="list-style-type: none">▪ 12-24 x 3/4" Steel self drilling / self tapping hex head screw▪ 1/4-20 x 3/4" Phillips-head machine screws and pan head through bolts
Certifications	<ul style="list-style-type: none">▪ Exceeds Grade 1 ANSI/BHMA 156.26 for 150lbs and 300lbs▪ UL10C listed (90 min)

Optional mounting hardware

TEKSWD	1/2 Self drill, self tap 1/2 wood
WD	Wood door and frame

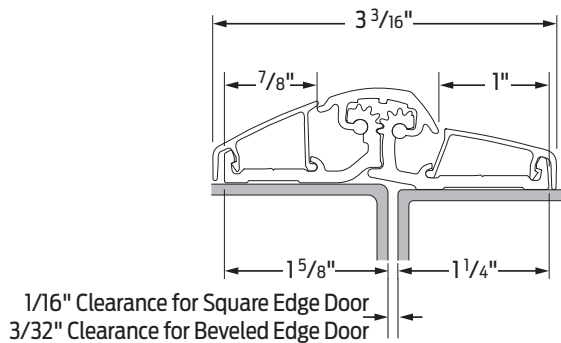
Finishes

BHMA	Description	Substrate	Finish
628	Clear Aluminum Anodized	Aluminum	US28
710	Dark Bronze Anodized	Aluminum	313AN
711	Black Anodized	Aluminum	315AN

Custom anodizing and painting are available, consult factory

For single door applications:

For pairs of doors see chart and general information.



Hinges and pivots

Aluminum geared continuous hinges

210XY

Full surface - swing clear

- Patented center loaded, interlocking bearing design
- XY (lateral and vertical) adjustability while hanging the door
- Articulating cover design eliminates pinch point between center channel cover and door and frame leaf covers
- Non-handed for custom cut lengths
- $\frac{1}{32}$ " door inset
- 48" Maximum door width
- Beveled or square edge doors
- For doors weighing up to 550 pounds

Specifications

Standard length	83", 85", 95", 119"
Standard mounting hardware	<ul style="list-style-type: none"> ▪ 12-24 x $\frac{3}{4}$" Steel self drilling / self tapping hex head screw ▪ 12-24 x $\frac{3}{4}$" Steel self drilling / self tapping Phillips-head screw ▪ $\frac{1}{4}$-20 x $\frac{3}{4}$" Phillips-head machine screws and pan head through bolts
Certifications	<ul style="list-style-type: none"> ▪ Exceeds Grade 1 ANSI/BHMA 156.26 for 150lbs and 300lbs ▪ UL10C listed (90 min)

Optional mounting hardware

SECHM	Security screws - hollow metal door and frame
SECWDHM	Security screws - $\frac{1}{2}$ wood, $\frac{1}{2}$ hollow metal
SECWDWD	Security screws - wood door and frame
TEKSWD	$\frac{1}{2}$ Self drill, self tap $\frac{1}{2}$ wood
WD	Wood door and frame

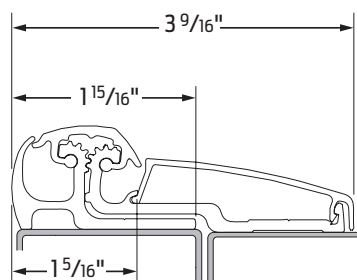
Finishes

BHMA	Description	Substrate	Finish
628	Clear Aluminum Anodized	Aluminum	US28
710	Dark Bronze Anodized	Aluminum	313AN
711	Black Anodized	Aluminum	315AN

Custom anodizing and painting are available, consult factory

For single door applications:

For pairs of doors see chart and general information.



$\frac{1}{16}$ " Clearance for Square Edge Door
 $\frac{3}{32}$ " Clearance for Beveled Edge Door



Hinges and pivots

Aluminum geared continuous hinges

224HD

Full mortise - door edge protector

- For 1³/₄" doors
- Door edge protector
- Spread bearing design
- Non-handed for custom cut lengths
- 1/16" Door Inset
- 48" Maximum door width
- Beveled or square edge doors
- For doors weighing up to 450 pounds without reinforcing, 600 pounds with reinforcing



Specifications

Standard length	83", 85", 95", 120"
Standard mounting	12-24 x 3/4" Steel self drilling/self tapping Phillips-head screw hardware
Certifications	<ul style="list-style-type: none">▪ Exceeds Grade 1 ANSI/BHMA 156.26 for 150lbs▪ UL10C listed (90 min)

Options

EPT	Electric power transfer
-----	-------------------------

Optional mounting hardware

SECHM	Security screws - hollow metal door and frame
SECWDHM	Security screws - 1/2 wood, 1/2 hollow metal
SECWDWD	Security screws - wood door and frame
TEKSWD	1/2 Self drill, self tap 1/2 wood
TF	Thread forming screws
WD	Wood door and frame

Finishes

BHMA	Description	Substrate	Finish
628	Clear Aluminum Anodized	Aluminum	US28
710	Dark Bronze Anodized	Aluminum	313AN
711	Black Anodized	Aluminum	315AN

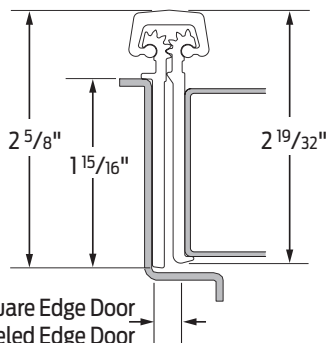
Custom anodizing and painting are available, consult factory

224HD – spread bearing design



For single door applications:

For pairs of doors see chart and general information.



Hinges and pivots

Aluminum geared continuous hinges

224XY

Full mortise - door edge protector

- For 1 $\frac{3}{4}$ " doors
- Door edge protector
- Patented center loaded, interlocking bearing design
- Non-handed for custom cut lengths
- $\frac{1}{16}$ " door inset
- 48" Maximum door width
- Beveled or square edge doors
- Frame guidance lip is extended further for retrofit applications to cover existing heavy weight architectural hinge preps
- For doors weighing up to 450 pounds without reinforcing, 600 pounds with reinforcing

Specifications

Standard length	83", 85", 95", 119"
Standard mounting hardware	12-24 x $\frac{3}{4}$ " Steel self drilling/self tapping Phillips-head screw
Certifications	<ul style="list-style-type: none"> ▪ Exceeds Grade 1 ANSI/BHMA 156.26 for 150lbs and 300lbs ▪ UL10C listed (90 min)

Options

EPT	Electric power transfer
TWP CON	Electrical through-wire panel with Allegion Connect

Optional mounting hardware

SECHM	Security screws - hollow metal door and frame
SECWDHM	Security screws - $\frac{1}{2}$ wood, $\frac{1}{2}$ hollow metal
SECWDWD	Security screws - wood door and frame
TEKSWD	$\frac{1}{2}$ Self drill, self tap $\frac{1}{2}$ wood
WD	Wood door and frame

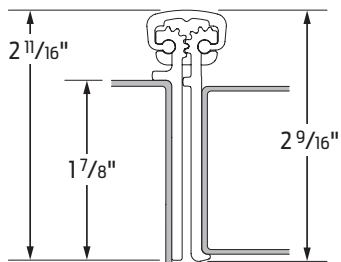
Finishes

BHMA	Description	Substrate	Finish
628	Clear Aluminum Anodized	Aluminum	US28
710	Dark Bronze Anodized	Aluminum	313AN
711	Black Anodized	Aluminum	315AN

Custom anodizing and painting are available, consult factory

For single door applications:

For pairs of doors see chart and general information.



5/16" Clearance for Square Edge Door
11/32" Clearance for Beveled Edge Door

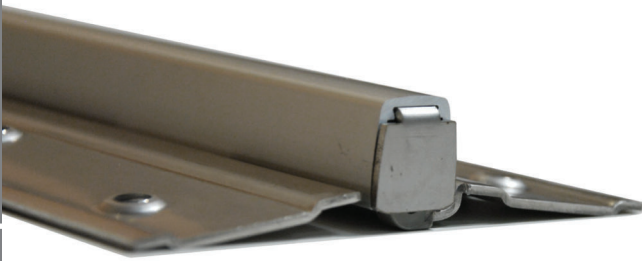


Hinges and pivots

Pin and barrel continuous hinges

Pin and barrel continuous hinges

Pin and barrel continuous hinges share many of the same characteristics of a traditional hinge. Both have a center pin and rolled knuckles. However, a continuous Pin and Barrel hinge stretches along the entire length of the frame. Ives offers both stainless steel and primed steel to best match your specific application. Ives also offers the CS series pin and barrel hinges which provides a patented solution that brings the clean aesthetic design of aluminum geared continuous hinge to the ruggedness and safety afforded by stainless pin and barrel continuous hinges.



Hinges and pivots

Pin and barrel continuous hinges

General information

Certifications

- 700 Series is certified to ANSI/BHMA 156.26, Grade 1
- CS Series models certified ANSI/BHMA 156.26, Grade 1, 150lb door test

UL Listed

- All Ives pin and barrel hinges are certified UL10C listed (3 hr)

Material

- 700, 702, 705, 711, 715 Series 304 Series, 14 Gauge stainless steel
- CS Series 304 Series, 14 Gauge stainless steel body and 6063-T6 aluminum cover

Barrel type

Standard series

The standard series pin and barrel continuous hinges features twin self lubricated nylon bearings with a stainless steel pin.

CS Series

The CS Series is a heavy duty, easy-to-install, stainless steel pin and barrel continuous hinge that can be used for fire applications and is highly suitable for after-market or new construction situations. The patented covers hide the unsightly pin and barrel of the standard pin and barrel hinges, giving the CS Series continuous hinge a stylish appearance to accompany heavy duty performance.

The CS Series includes medical grade, patented nylon winged bearings. They also include the XY adjustability feature which allows for better door alignment during installation.

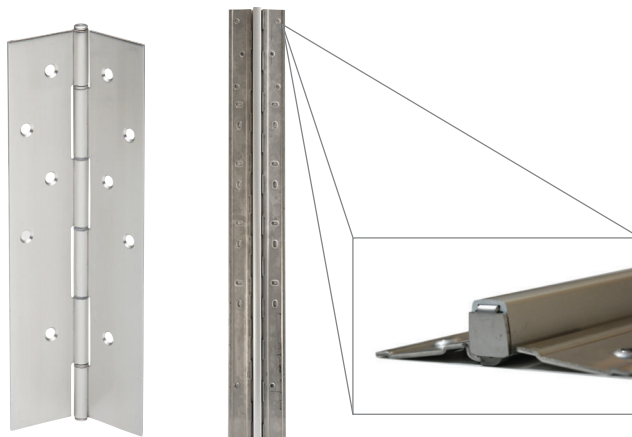
Standard lengths

- 83", 85", 95", 120"
 - Custom lengths available up to 120", consult factory
 - Handing required for 702, 705, 711, 715

Finishes

BHMA	Description	Substrate	Finish
700, 702, 705, 711, 715 Series			
630	Satin Stainless Steel	Stainless steel	US32D
700CS, 705CS, 711CS Series			
441	Satin Stainless Anodized	Aluminum	US32DAN
600	Grey Primer Paint	Aluminum	USP
628	Clear Aluminum Anodized	Aluminum	US28
688	Satin Brass Anodized	Aluminum	US4AN
709	Satin Bronze Anodized	Aluminum	US10AN
710	Dark Bronze Anodized	Aluminum	313AN
711	Black Anodized	Aluminum	315AN
712	Bright Chrome Anodized	Aluminum	US26AN
713	Satin Chrome Anodized	Aluminum	US26DAN

Custom finishes available, consult factory.



Field modifications

Ives pin and barrel continuous hinges can be cut to length during installation.

Standard models

The unique mounting pattern allows to cut up to 6" from bottom while still having double row fasteners. If cut more than 13.5", other modifications may be necessary.

CS models

The CS Series of stainless steel hinges can be cut to size in the field. For aftermarket installations, horizontal slots in the leaves allow for lateral adjustment after the door has been secured to the frame.

Door weight

For doors up to 200 lbs, no door reinforcement is required. For doors between 200 and 300 lbs, a 16 gauge channel in the frame is required. For doors up to 600 lb (max door width of 4'0"), rivet nuts are required in the frame in addition to the frame reinforcement. For door weight reinforcement requirements by model, view the installation instructions and following product pages for detail.

Hospital tips (HT) for standard models

The standard hospital tip option includes an angle machined channel cover and bearing to provide a flush angled surface.

Must be ordered in exact lengths. Available on 700 Series hinges.

Lifetime warranty

Ives continuous hinges carry a limited lifetime warranty with exception of electrified continuous hinges, which carry a 12-month warranty from time of shipment.

Learn more at us.allegion.com/warranty.

Hinges and pivots

Pin and barrel continuous hinges

General information

Electrification options*

Electric power transfer (EPT) available on 700, 705, 715, 700CS, 715CS models

Electric power transfer provides the most secure and best solution for transferring power from the door frame to the edge of a swinging door. Ives pin and barrel hinges provide standard cut outs to fit Von Duprin EPT- 2, EPT-10 and PNT-1 devices. Consult factory for other electrical cut out options. Door handing is required.

Electrical through-wire (TW8) for standard models (700, 705, 715) only

Recommended for low frequency usage. Provides electric power transfer from the frame to the door cable in order to supply power to an electrified mortise or cylindrical locks, exit devices with electric latch retraction, and/or electric strikes (pairs of doors). Through-wire is rated 50 volts AC/DC at 3.5 amp continuous and 16 amp pulse. Maximum pulse 400 milliseconds. Ives through-wire hinges are fully compatible with 4 wire and 8 wire installations. Available CON option comes with the Allegion Connect 8-pin Connector which makes it easy to connect to other electrical consumption devices. A monitor (MON) switch is available as an engineered special. Consult factory for availability.

Electrical through-wire panel with Allegion Connect (TWP) (700CS models only)

The through-wire panel solution works in the CS mortise hinge to maintain the clean aesthetic design of aluminum geared continuous hinges. Made with the same medical grade bearings of Ives other pin and barrel hinges, the CS Series brings through-wire panel innovation to your continuous hinge application while keeping its great looks.

The CS Series through-wire panel is a heavy duty, easy-to-install, stainless steel panel. Tested to 2.5 million cycles, the CS Series panel can quickly slip in and out of the hinge for maintenance and replacement.

Unlike all of the other manufacturer solutions the CS Series through-wire panel maintains a one piece appearance on the cover side of the hinge. It installs with the same $\frac{5}{16}$ " clearance as aluminum geared hinges and works in all of the decorative cover finishes.

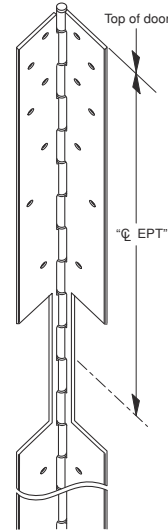
Provides electric power transfer from the frame to the door in order to supply power to an electrified mortise or cylindrical locks, exit devices with electric latch retraction, and/or electric strikes (pairs of doors). Through-wire panel is rated 50 volts AC/DC at 3.5 amp continuous and 16 amp pulse. Maximum pulse 400 milliseconds. Ives through-wire hinges are fully compatible with 4 wire and 8 wire installations. Available CON option comes with the Allegion Connect 8-pin Connector which makes it easy to connect to other electrical consumption devices.

*Only available for full mortise hinges.

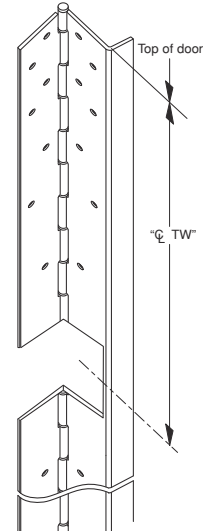
Electrical cutouts

Ives pin and barrel continuous hinges are available with factory modified cutouts to accommodate most electrical frame to door requirements. Special templates are required.

EPT 700/700CS



TW8 700s



Note: See ordering guide in price book for proper placement.

When ordering indicate the following:

1. Door size.
2. Handing. LH, RH, LHR or RHR.
3. Manufacturer and model number of the electrical product being used. Example; Von Duprin ETPT2

Because clearances may vary between door and frame manufacturer, and locations can be influenced by the door hardware it is always recommend contacting Ives Customer Technical for specific template information.

For your general information following are standard locations for Von Duprin EPT2 or EPT10, and TW (through-wire).

In accordance with industry standards, all cutouts are made from top edge of door to center line of cut-out.

Standard length	EPT	TW	TWP
83"	30"	43 $\frac{19}{32}$ "	43 $\frac{13}{16}$ "
85"	32"	45 $\frac{17}{32}$ "	44 $\frac{29}{32}$ "
95"	42"	55 $\frac{17}{32}$ "	55 $\frac{9}{32}$ "
120"	67"	80 $\frac{17}{32}$ "	79 $\frac{1}{2}$ "

Hinges and pivots**Pin and barrel continuous hinges**

Mounting hardware

Standard Hardware

700/702/705/711/715	10 x 1/2" Stainless self drilling/self tapping Phillips-head screw 10 x 1" Stainless Phillips-head wood screw (1/2 pkg for door or frame)
705	10-32 x 3/4" Stainless screw and Adjusta-stud fastener
700CS/711CS/715CS	12-24 x 3/4" Stainless self drilling/self tapping Phillips-head screw

Security screws - hollow metal door and frame (SECHM)

700/702/705/711/715	10 X 1/2" Stainless steel Torx security screw
700CS/711CS/715CS	12-24 x 1/2" Stainless security head machine screw

Security screws - 1/2 wood, 1/2 hollow metal (SECWDHM)

700/702/705/711/715	10 X 1/2" Stainless steel Torx security screw 10 x 1" Stainless Torx security wood screw
---------------------	---

Security screws - 1/2 wood, 1/2 hollow metal (SECWDWD)

700/702/705/711/715	10 x 1" Stainless Torx security wood screw
---------------------	--

Wood door and frame (WD)

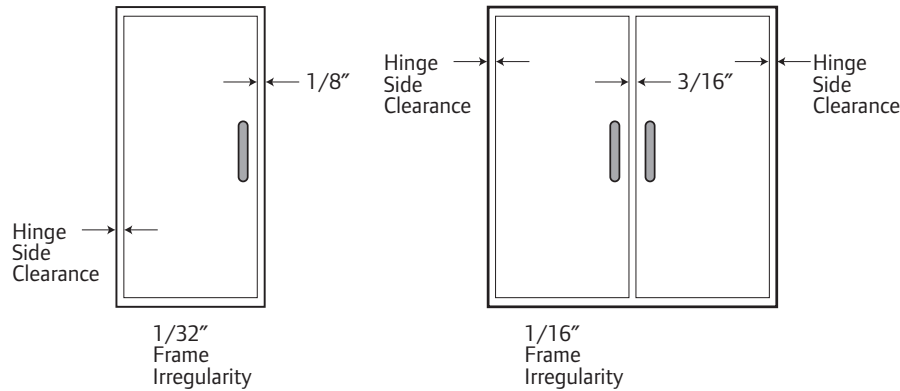
700/702/705/711/715	10 x 1" Stainless Phillips-head wood screw
700CS/711CS/715CS	#12 x 1 1/4" Stainless sheet metal screw

Hinges and pivots

Pin and barrel continuous hinges

Clearance requirements

Consult your local authority having jurisdiction for specific fire codes relating to fire rated doors. The table below is only recommended for non fire related doors.



Single door

Model	Hinge-side clearance	Lock-side clearance	Frame irregularity	Beveled door clearance	Door under-sizing	
					Square edged	Beveled edged
700	1/4"	1/8"	1/32"	1/32"	13/32"	7/16"
700CS	5/16"	1/8"	1/32"	1/32"	15/32"	1/2"
702	1/8"	1/8"	1/32"	1/32"	9/32"	5/16"
705	3/8"	1/8"	1/32"	1/32"	17/32"	9/16"
705*	1/2"	1/8"	1/32"	1/32"	21/32"	11/16"
711	7/32"	1/8"	1/32"	1/32"	13/32"	13/32"
711CS	3/8"	1/8"	1/32"	1/32"	17/32"	9/16"
715	1/4"	1/8"	1/32"	1/32"	13/32"	7/16"
715CS	5/16"	1/8"	1/32"	1/32"	15/32"	1/2"

* Use the Adjusta-Studs with 705.

Pair of doors

Model	Hinge-side clearance	Lock-side clearance	Frame irregularity	Beveled door clearance	Door under-sizing			
					Square edge total	Square edge each door	Beveled edge total	Beveled edge each door
700	1/4"	3/16"	1/16"	1/16"	3/4"	3/8"	13/16"	13/32"
700CS	5/16"	3/16"	1/16"	1/16"	7/8"	7/16"	15/16"	15/32"
702	1/8"	3/16"	1/16"	1/16"	1/2"	1/4"	9/16"	9/32"
705	3/8"	3/16"	1/16"	1/16"	1"	1/2"	1 1/16"	17/32"
705*	1/2"	3/16"	1/16"	1/16"	1 1/4"	5/8"	1 5/16"	21/32"
711	7/32"	3/16"	1/16"	1/16"	11/16"	11/32"	3/4"	3/8"
711CS	3/8"	3/16"	1/16"	1/16"	1"	1/2"	1 1/16"	17/32"
715	1/4"	3/16"	1/16"	1/16"	3/4"	3/8"	13/16"	13/32"
715CS	5/16"	3/16"	1/16"	1/16"	7/8"	7/16"	15/16"	15/32"

* Use the Adjusta-Studs with 705.

Hinges and pivots

Pin and barrel continuous hinges

How to order

Model	Option 1	Finish	Length	Option 2				
1	2	3	4	5				
700	-	HT	-	US32D	-	83	-	TW8 CON

Detail

1 Model

700/700CS	Stainless steel full mortise
702	Stainless steel full surface - center pivot
705	Stainless steel full mortise - full wrap
711/711CS	Stainless steel full surface - swing clear
715/715CS	Stainless steel full mortise - half wrap

2 Option 1

HT	Hospital tip (700 model only)
-----------	-------------------------------

3 Finish

BHMA	Description	Substrate	Finish	Availability
630	Satin Stainless Steel	Stainless steel	US32D	700 Series only
441	Satin Stainless Anodized	Stainless steel/aluminum	US32DAN	CS Series only
600	Grey Primer Paint	Stainless steel/aluminum	USP	CS Series only
688	Satin Brass Anodized	Stainless steel/aluminum	US4AN	CS Series only
709	Satin Bronze Anodized	Stainless steel/aluminum	US10AN	CS Series only
712	Bright Chrome Anodized	Stainless steel/aluminum	US26AN	CS Series only
713	Satin Chrome Anodized	Stainless steel/aluminum	US26DAN	CS Series only
628	Clear Aluminum Anodized	Stainless steel/aluminum	US28	CS Series only
710	Dark Bronze Anodized	Stainless steel/aluminum	313AN	CS Series only
711	Black Anodized	Stainless steel/aluminum	315AN	CS Series only

Custom finishes available, consult factory.

4 Length

83"
85"
95"
120"

Custom lengths available up to 120", consult factory. When specifying length, handing required.

5 Option 2

CON	Allegion Connect (700, 705, 715, 700CS models only)
EPT	Electric power transfer prep (700, 705, 715, 700CS, 715CS models only) Handing (LH and RH) required for 026, 027, 114, and 224 models
SECHM	Security fasteners - Torx
SECWDHM	Security fasteners - Torx (half wood, half hollow metal)
SECWDWD	Security fasteners - Torx (wood door and frame)
TW8	Electric through-wire (700, 705, 715 models only)
TWP	Through-wire panel (only available on 700CS)
WD	Wood door fasteners

Hinges and pivots

Pin and barrel continuous hinges

700

Full mortise pin and barrel continuous hinge (stainless steel)

- 1/4" diameter pin with nylon self-lubricating, medical grade split bearing
- For doors weighing up to 300 pounds without reinforcing, 600 pounds with reinforcing
- 1/8" Inset recommended for 1 3/4" doors
- 48" Maximum door width
- Non-handed for custom cut lengths
- Bevel or square edge door

Specifications

Standard length	83", 85", 95", 120"
Material substrate	▪ 700 - 14 Gauge type 304 stainless steel
Standard mounting hardware	▪ #10 X 1/2" Self drilling, self tapping screws ▪ #10 X 1" Wood screws
Certifications	▪ Meets ANSI/BHMA 156.26 ▪ UL10C listed (3 hour)

Options

CON	Allegion Connect
EPT	Electric power transfer
HT	Hospital tip
TW8	Electrical through-wire

Optional mounting hardware

SECHM	Security screws - hollow metal door and frame
SECWDHM	Security screws - 1/2 wood, 1/2 hollow metal
SECWDWD	Security screws - wood door and frame
WD	Wood door and frame

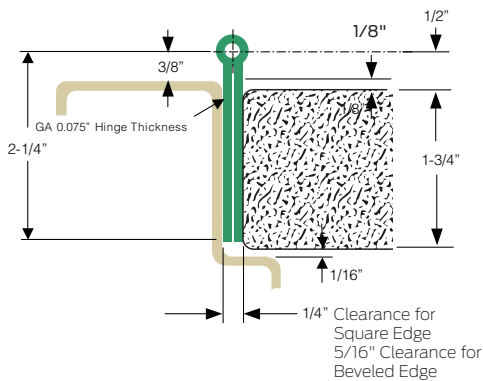
Finishes

BHMA	Description	Substrate	Finish
630	Satin Stainless Steel	Stainless steel	US32D



For single door applications:

For pairs of doors see chart and general information.



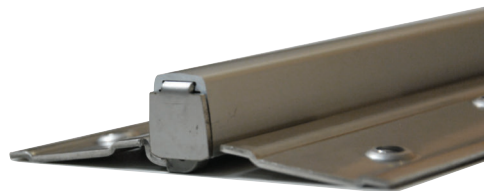
Hinges and pivots

Pin and barrel continuous hinges

700CS

Full mortise pin and barrel continuous hinge with decorative cover

- Patented cover protects hinge knuckle and creates a cleaner and neater appearance
- XY adjustability feature allows for better door alignment during installation
- Patented, medical grade, nylon winged bearings
- For doors weighing up to 300 pounds without reinforcing, 600 pounds with reinforcing
- 1/16" door inset
- 48" Maximum door width
- Non-handed
- Bevel or square edge door



Specifications

Standard length	83", 85", 95", 120"
Material substrate	Gauge type 304 stainless steel
Standard mounting hardware	12-24 X 3/4" Self drilling, self tapping screws
Certifications	<ul style="list-style-type: none"> ▪ Meets ANSI/BHMA 156.26 ▪ UL10C listed (3 hour)

Options

CON	Allegion Connect
EPT	Electric power transfer
TWB	Electrical through-wire

Optional mounting hardware

SECHM	Security screws - hollow metal door and frame
WD	Wood door and frame

Finishes

BHMA	Description	Substrate	Finish
441	Satin Stainless Anodized	Aluminum/steel	US32DAN
600	Grey Primer Paint	Aluminum/steel	USP
628	Clear Aluminum Anodized	Aluminum/steel	US28
688	Satin Brass Anodized	Aluminum/steel	US4AN
709	Satin Bronze Anodized	Aluminum/steel	US10AN
710	Dark Bronze Anodized	Aluminum/steel	313AN
711	Black Anodized	Aluminum/steel	315AN
712	Bright Chrome Anodized	Aluminum/steel	US26AN
713	Satin Chrome Anodized	Aluminum/steel	US26DAN

Custom paint available, consult factory. Standard custom paint is on cover only, specify if paint on whole hinge is needed.

For single door applications:

For pairs of doors see chart and general information.

Hinges and pivots

Pin and barrel continuous hinges

702

Full surface pin and barrel continuous hinge (stainless steel)

- 1/4" diameter pin with nylon self-lubricating, medical grade split bearing
- For doors weighing up to 300 pounds without reinforcing, 600 pounds with reinforcing
- Flush mounted, no inset
- 48" Maximum door width
- Non-handed for custom cut lengths
- Bevel or square edge door

Specifications

Standard length	83", 85", 95", 120"
Material substrate	▪ 702 - 14 Gauge type 304 stainless steel
Standard mounting hardware	▪ #10 X 1/2" Self drilling, self tapping screws ▪ #10 X 1" Wood screws ▪ Cover clips
Certifications	▪ Meets ANSI/BHMA 156.26 ▪ UL10C listed (3 hour)

Options

HT Hospital tip

Optional mounting hardware

SECHM	Security screws - hollow metal door and frame
SECWDHM	Security screws - 1/2 wood, 1/2 hollow metal
SECWDWD	Security screws - wood door and frame
WD	Wood door and frame

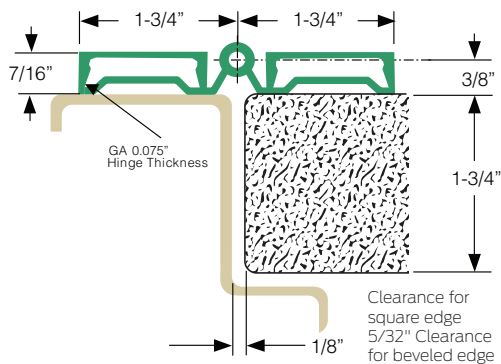
Finishes

BHMA	Description	Substrate	Finish
630	Satin Stainless Steel	Stainless steel	US32D



For single door applications:

For pairs of doors see chart and general information.



Hinges and pivots

Pin and barrel continuous hinges

705

Full mortise, full wrap pin and barrel continuous hinge (stainless steel)

- Full wrap edge guard
- Adjustable for undersized and out of square doors
- 1/4" diameter pin with nylon self-lubricating, medical grade split bearing
- For doors weighing up to 300 pounds without reinforcing, 600 pounds with reinforcing
- Flush mounted, no inset
- 48" Maximum door width
- Non-handed, handing required for custom cut lengths
- Bevel or square edge door

Specifications

Standard length	83", 85", 95", 120"
Material substrate	14 Gauge type 304 stainless steel
Standard mounting hardware	<ul style="list-style-type: none"> ▪ #10-32 X 3/4" Stainless screw and Adjusta-Stud® fastener ▪ #10 X 1/2" Self drilling, self tapping screws ▪ #10 X 1" Wood screws
Certifications	<ul style="list-style-type: none"> ▪ Meets ANSI/BHMA 156.26 ▪ UL10C listed (3 hour)

Options

CON	Allegion Connect
EPT	Electric power transfer
HT	Hospital tip
TW8	Electrical through-wire

Optional mounting hardware

SECHM	Security screws - hollow metal door and frame
SECWDHM	Security screws - 1/2 wood, 1/2 hollow metal
SECWDWD	Security screws - wood door and frame
WD	Wood door and frame

Finishes

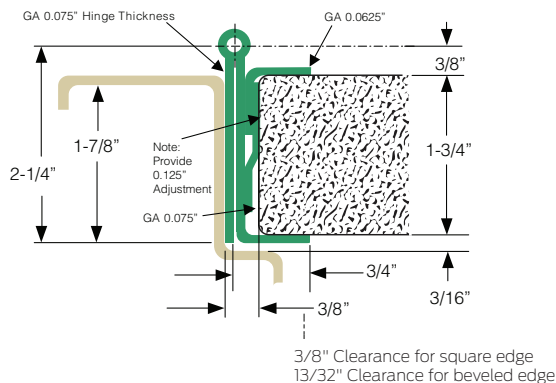
BHMA	Description	Substrate	Finish
630	Satin Stainless Steel	Stainless steel	US32D

Custom paint available, consult factory



For single door applications:

For pairs of doors see chart and general information.



* Adjusta-Stud allows up to 3/8" width adjustment which ensures proper alignment and easy installation. Adjusta-Stud also makes it possible for future adjustments of the door on the frame through repositioning. If using Adjusta-Stud, 14 gauge reinforcements on frame and door required.

Hinges and pivots

Pin and barrel continuous hinges

711

Swing clear pin and barrel continuous hinge (steel and stainless steel)

- Edge guard
- May be difficult to install on inside walls
- 1/4" diameter pin with nylon self-lubricating, medical grade split bearing
- For doors weighing up to 300 pounds without reinforcing, 600 pounds with reinforcing
- 48" Maximum door width
- Non-handed, handing required for custom cut lengths
- Square edge door

Specifications

Standard length	83", 85", 95", 120"
Material substrate	▪ 711 - 14 Gauge type 304 stainless steel
Standard mounting hardware	▪ #10 X 1/2" Self drilling, self tapping screws ▪ #10 X 1" Wood screws
Certifications	▪ Meets ANSI/BHMA 156.26 ▪ UL10C listed (3 hour)

Options

HT	Hospital tip
----	--------------

Optional mounting hardware

SECHM	Security screws - hollow metal door and frame
SECWDHM	Security screws - 1/2 wood, 1/2 hollow metal
SECWDWD	Security screws - wood door and frame
WD	Wood door and frame

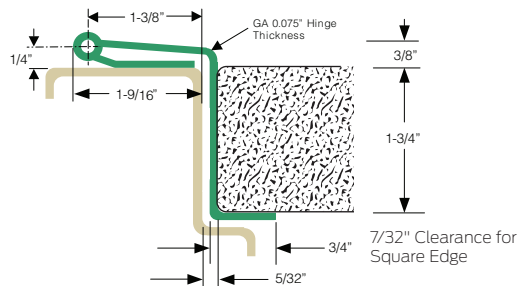
Finishes

BHMA	Description	Substrate	Finish
630	Satin Stainless Steel	Stainless steel	US32D



For single door applications:

For pairs of doors see chart and general information.



Hinges and pivots

Pin and barrel continuous hinges

711CS

Swing clear pin and barrel continuous hinge with decorative cover

- Patented cover protects hinge knuckle and creates a cleaner and neater appearance
- XY adjustability feature allows for better door alignment during installation
- Edge guard
- Easy to install mounting location on mortise end of frame
- 2 ¹¹/₁₆" minimum frame face requirement
- Patented, medical grade, nylon winged bearings
- For doors weighing up to 300 pounds without reinforcing, 600 pounds with reinforcing
- ¹/₁₆" door inset
- 48" Maximum door width
- Non-handed, handing required for custom cut lengths
- Square edge door



Specifications

Standard length	83", 85", 95", 120"
Material substrate	Gauge type 304 stainless steel
Standard mounting hardware	12-24 X ³ / ₄ " Self drilling, self tapping screws
Certifications	<ul style="list-style-type: none"> ▪ Meets ANSI/BHMA 156.26 ▪ UL10C listed (3 hour)

Optional mounting hardware

SECHM	Security screws - hollow metal door and frame
WD	Wood door and frame

Finishes

BHMA	Description	Substrate	Finish
441	Satin Stainless Anodized	Aluminum/steel	US32DAN
600	Grey Primer Paint	Aluminum/steel	USP
628	Clear Aluminum Anodized	Aluminum/steel	US28
688	Satin Brass Anodized	Aluminum/steel	US4AN
709	Satin Bronze Anodized	Aluminum/steel	US10AN
710	Dark Bronze Anodized	Aluminum/steel	313AN
711	Black Anodized	Aluminum/steel	315AN
712	Bright Chrome Anodized	Aluminum/steel	US26AN
713	Satin Chrome Anodized	Aluminum/steel	US26DAN

Custom paint available, consult factory. Standard custom paint is on cover only, specify if paint on whole hinge is needed.

For single door applications:

For pairs of doors see chart and general information.

Hinges and pivots

Pin and barrel continuous hinges

715

Full mortise, half wrap pin and barrel continuous hinge (stainless steel)

- Half wrap edge guard
- 1/4" diameter pin with nylon self-lubricating, medical grade split bearing
- For doors weighing up to 300 pounds without reinforcing, 600 pounds with reinforcing
- 1/16" door inset
- 48" Maximum door width
- Non-handed, handing required for custom cut lengths
- Square edge door

Specifications

Standard length	83", 85", 95", 120"
Material substrate	14 Gauge type 304 stainless steel
Standard mounting hardware	<ul style="list-style-type: none">▪ #10 X 1/2" Self drilling, self tapping screws▪ #10 X 1" Wood screws
Certifications	<ul style="list-style-type: none">▪ Meets ANSI/BHMA 156.26▪ UL10C listed (3 hour)

Options

CON	Allegion Connect
EPT	Electric power transfer
HT	Hospital tip
TW8	Electrical through-wire

Optional mounting hardware

SECHM	Security screws - hollow metal door and frame
SECWDHM	Security screws - 1/2 wood, 1/2 hollow metal
SECWDWD	Security screws - wood door and frame
WD	Wood door and frame

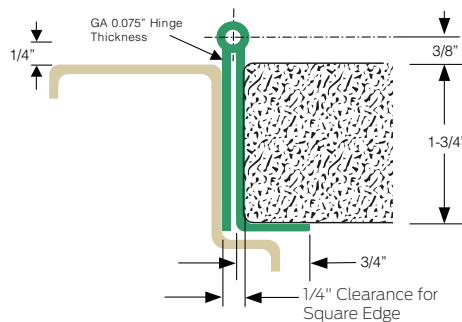
Finishes

BHMA	Description	Substrate	Finish
630	Satin Stainless Steel	Stainless steel	US32D

Custom paint available on 600 Series, consult factory

For single door applications:

For pairs of doors see chart and general information.



Hinges and pivots

Pin and barrel continuous hinges

715CS

Full mortise, half wrap pin and barrel continuous hinge with decorative cover

- Patented cover protects hinge knuckle and creates a cleaner and neater appearance
- XY adjustability feature allows for better door alignment during installation
- Half wrap edge guard
- Patented, medical grade, nylon winged bearings
- For doors weighing up to 300 pounds without reinforcing, 600 pounds with reinforcing
- Flush mounted, no inset
- 48" Maximum door width
- Non-handed, handing required for custom cut lengths
- Square edge door



Specifications

Standard length	83", 85", 95", 120"
Material substrate	Gauge type 304 stainless steel
Standard mounting hardware	12-24 X 3/4" Self drilling, self tapping screws
Certifications	<ul style="list-style-type: none"> ▪ Meets ANSI/BHMA 156.26 ▪ UL10C listed (3 hour)

Options

EPT	Electric power transfer
-----	-------------------------

Optional mounting hardware

SECHM	Security screws - hollow metal door and frame
WD	Wood door and frame

Finishes

BHMA	Description	Substrate	Finish
441	Satin Stainless Anodized	Aluminum/steel	US32DAN
600	Grey Primer Paint	Aluminum/steel	USP
628	Clear Aluminum Anodized	Aluminum/steel	US28
688	Satin Brass Anodized	Aluminum/steel	US4AN
709	Satin Bronze Anodized	Aluminum/steel	US10AN
710	Dark Bronze Anodized	Aluminum/steel	313AN
711	Black Anodized	Aluminum/steel	315AN
712	Bright Chrome Anodized	Aluminum/steel	US26AN
713	Satin Chrome Anodized	Aluminum/steel	US26DAN

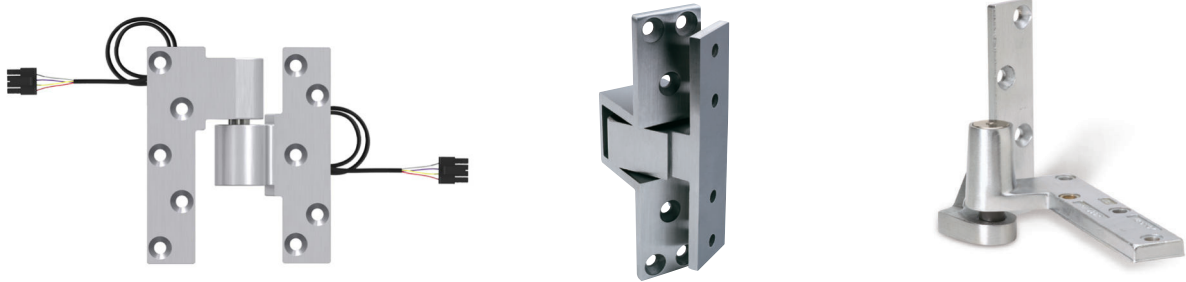
Custom paint available, consult factory. Standard custom paint is on cover only, specify if paint on whole hinge is needed.

For single door applications:

For pairs of doors see chart and general information.

Pivots

Floor pivots reduce stress on the frame by distributing the door weight to the floor. Intermediate pivots keep the door in alignment with the top and bottom pivots, and some are also load bearing. By taking advantage of the structure strength, this makes a pivot the ideal solution for heavy doors. Center and pocket pivots also provide an aesthetic option for an opening. Ives offers a complete line of ¾" offset, 1 ½" offset, center hung, intermediate, pocket and power transfer pivots with all exposed parts made of brass or stainless steel for maximum corrosion resistance. The offerings include high strength brass and stainless-steel forgings, as well as castings for fire-rated and non-rated doors, combined with precision bearings for smooth operation. The positive locking vertical adjustment mechanism allows the installer to precisely position the door and balance the load.



Hinges and pivots

Pivots

General information

UL Listed

- Ives non-rated brass Pivots are tested and approved UL 10C (20 min) as noted on model
- Ives rated stainless steel Pivots are tested and approved UL 10C (3 hrs) as noted on model

Material

High strength brass and 304 series stainless steel forgings, and castings for rated and non-rated doors combined with radial and needle precision bearings for smooth operation. See specific models for more information.

Pivot duty

Last digit in pivot set number reflects the maximum door weight in hundreds of pound, e.g., 7215 = 500 pounds. For sets designated as "heavy duty", add 1,000 pounds, e.g., 7237F HD set = 1700 pounds.

See table on the following page for selecting the proper pivot for the application.

Add additional Intermediate Pivots for each 100 pounds of door weight and/or for doors exceeding 7' in height. Intermediate pivots should be placed every 2'6" as needed.

Mounting hardware

Includes stainless steel machine screws and wood screws standard for all metal door and frames. Positive locking vertical adjustment mechanism allows the installer to precisely position the door and balance the load.

Electrification options

Electrified pivots are non-load bearing. Provides electric power transfer from the frame to the door in order to supply power to an electrified mortise or cylindrical locks, exit devices with electric latch retraction, and/or electric strikes (pairs of doors). Each wire is 28 AWG and rated 50 volts AC/DC at 3.5 amp continuous and 16 amp pulse. Maximum pulse 400 milliseconds.

Finishes

BHMA	Description	Substrate	Finish
600	Primer Paint	Stainless steel	USP
605	Bright Brass	Brass	US3
606	Satin Brass	Brass	US4
612	Satin Bronze	Brass	US10
613	Oil Rubbed Bronze	Brass	US10B
619	Satin Nickel	Brass	US15
622	Matte Black	Brass	BLK
625	Bright Chrome	Brass	US26
626	Satin Chrome	Brass	US26D
629	Bright Stainless	Stainless steel	US32*
630	Satin Brass	Stainless steel	US32D*
631	Matte Black	Stainless steel	BLK
632 ¹	Satin Brass	Steel	US3
639 ¹	Satin Bronze	Steel	US10
640 ²	Oil Rubbed Bronze	Steel	US10B
646 ²	Satin Nickel	Steel	US15
643e/716	Aged Bronze	Brass/stainless	643e/716
689	Aluminum Painted	Brass/stainless	SP28
691	Bronze Painted	Brass/stainless	SP10
695	Dark Bronze Painted	Brass/stainless	SP313/US10BE
706	Brass Painted	Brass/stainless	SP4

1. Available on F fire-rated pivots and pocket pivots only.

2. Available on pocket pivots only.

For other colors, consult product support.

The Ives Power Transfer Intermediate (PT INT) pivots and Electrified Pocket Pivot (E) are available in 4 wire (TW4) or 8 wire (TW8). Supplied standard with Allegion Connect 4 or 8-pin Connector (CON) which makes it easy to connect to other electrified hardware items.

Pivot selection chart

7200 series

Pivot set	Pivot type	Bottom style mounting	UL listing	Max door weight	Handing	When ordering separate pivot applications, the following descriptions will be used for the pivot		
						Top	Bottom	Intermediate
7212	3/4" Offset	Jamb mounted	20 Minute	200	LH or RH	7212-7215-7222-7226-7227 TOP	7212 BTM	7212-7212V-7222 INT
7212V	3/4" Offset	Jamb mounted	20 Minute	200	LH or RH	7212V TOP	7212 BTM	7212-7212V-7222 INT
7215	3/4" Offset	Jamb mounted	20 Minute	500	LH or RH	7212-7215-7222-7226-7227 TOP	7215 BTM	7215-7226-7227 INT
7215F	3/4" Offset	Jamb mounted	3 Hour	500	LH or RH	7215F-7226F-7227F TOP	7215F BTM	7215F-7226F-7227F INT
7222	3/4" Offset	Floor mounted	20 Minute	200	LH or RH	7212-7215-7222-7226-7227 TOP	7222 BTM	7212-7212V-7222 INT
7226	3/4" Offset	Floor mounted	20 Minute	600	Non-handed	7212-7215-7222-7226-7227 TOP	7226 BTM	7215-7226-7227 INT
7226F	3/4" Offset	Floor mounted	3 Hour	600	Non-handed	7215F-7226F-7227F TOP	7226F BTM	7215F-7226F-7227F INT
7227	3/4" Offset	Mortise cement case	20 Minute	700	Non-handed	7212-7215-7222-7226-7227 TOP	7227 BTM	7215-7226-7227 INT
7227F	3/4" Offset	Mortise cement case	3 Hour	700	Non-handed	7215F-7226F-7227F TOP	7227F BTM	7215-7226-7227 INT
7230F	3/4" Offset	Floor mounted	3 Hour	1,000	Non-handed	7230F-7237F TOP	7230F BTM	7215F-7226F-7227F INT
7237F	3/4" Offset	Mortise cement case	3 Hour	1,750	Non-handed	7230F-7237F TOP	7237F BTM	7230F-7237F INT
7244F	1 1/2" Offset	Floor mounted	3 Hour	400	Non-handed	7244F-7245F TOP	7244F BTM	7230F-7237F INT
7245F	1 1/2" Offset	Mortise cement case	3 Hour	500	Non-handed	7244F-7245F TOP	7245F BTM	7244F-7245F INT
7253	Center hung	Floor mounted	-	300	Non-handed	7253-7255-7255J-7256 TOP	7253 BTM	7244F-7245F INT
7255	Center hung	Floor mounted	-	500	Non-handed	7253-7255-7255J-7256 TOP	7255 BTM	-
7255J	Center hung	Jamb mounted	-	500	Non-handed	7253-7255-7255J-7256 TOP	7255J BTM	-
7256	Center hung	Mortise cement case	-	600	Non-handed	7253-7255-7255J-7256 TOP	7256 BTM	-
7259	Center hung	Mortise cement case	-	1,000	Non-handed	7259 TOP	7259 BTM	-

- Introduction
- Table of contents
- Hinges and pivots
- Pulls, push bars and plates
- Flush bolts, strikes and coordinators
- Latches, catches and bolts
- Door stops, holders and silencers
- Exterior hardware
- Miscellaneous hardware

Hinges and pivots

Pivots

How to order

Model	Style	Handing	Finish
1	2	3	4
7212	-	LH	US3

Detail

1 Model

7212	7226	7237F	7255J
7212V	7226F	7244F	7256
7215	7227	7245F	7259
7215F	7227F	7253	91105F
7222	7230F	7255	E91105F

2 Style

SET	Top and bottom set
TOP	Top pivot only
BTM	Bottom pivot only
INT	Intermediate pivot only
PT INT	Power transfer intermediate pivot only

3 Handing

LH	Left hand door
RH	Right hand door

Required on 7212, 7212V, 7222, all INT, and all PT INT.

3 Finish

BHMA	Description	Finish	Availability
600	Primer Paint	USP	See specific models
605	Bright Brass	US3	See specific models
606	Satin Brass	US4	See specific models
612/639	Satin Bronze	US10	See specific models
613	Oil Rubbed Bronze	US10B	See specific models
619	Satin Nickel	US15	See specific models
622/631	Matte Black	BLK	See specific models
625	Bright Chrome	US26	See specific models
626	Satin Chrome	US26D	See specific models
629	Bright Stainless	US32	See specific models
630	Satin Brass	US32D	See specific models
643e/716	Aged Bronze	643e/716	See specific models
689	Aluminum Painted	SP28	See specific models
691	Bronze Painted	SP10	See specific models
695	Dark Bronze Painted	SP313/US10BE	See specific models
706	Brass Painted	SP4	See specific models

Note: Please view specific models for info on availability

Hinges and pivots

Offset pivots

7212

3/4" Offset pivot, 200lb with top header mount

- Maximum door load 200 pounds
- Recommended for use with 1 3/4" minimum door thickness, with 1/8" bevel in 2"
- Vertical adjustment range 3/16", with positive locking
- Handed LH or RH
- 7212 Set (7212 Top and 7212 Btm)
- 7212 Top (7212-7215-7222-7226-7227 Top), header mount
- 7212 Btm (7212 Btm), jamb mount

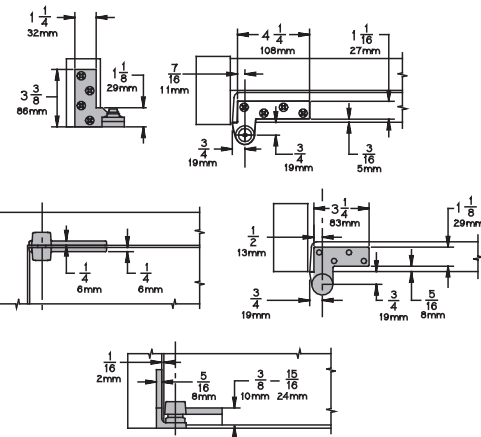
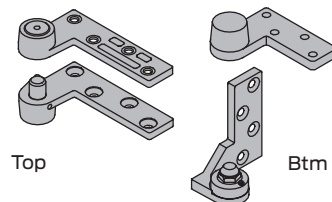
Specifications

Material substrate	Made from cast brass
Certifications	<ul style="list-style-type: none"> Meets ANSI/BHMA A156.4 C07131 UL 10C Listed (20 min)

Available accessories

7212 INT (7212-7212V-7222) Intermediate pivot (handed) as needed

See general information for specifics on how many intermediate pivots are recommended.



7212V

3/4" Offset pivot, 200lb with top jamb mount

- Maximum door load 200 pounds
- Recommended for use with 1 3/4" min. door thickness, with 1/8" bevel in 2"
- Vertical adjustment range 3/16", with positive locking
- Handed LH or RH
- 7212V Set (7212V Top and 7212 Btm)
- 7212V Top (7212V), jamb mount
- 7212 Btm (7212 Btm), jamb mount

Specifications

Material substrate	Made from cast brass
Certifications	<ul style="list-style-type: none"> Meets ANSI/BHMA A156.4 C07131 UL 10C Listed (20 min)

Available accessories

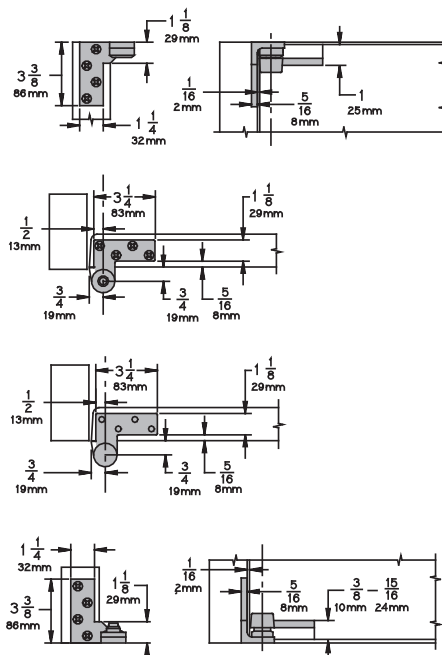
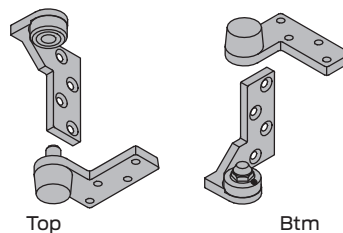
7212 INT (7212-7212V-7222) Intermediate pivot (handed) as needed

See general information for specifics on how many intermediate pivots are recommended.

7212 and 7212V finishes

BHMA	Description	Substrate	Finish
605	Bright Brass	Brass	US3
606	Satin Brass	Brass	US4
612	Satin Bronze	Brass	US10
613	Oil Rubbed Bronze	Brass	US10B
619	Satin Nickel	Brass	US15
622	Matte Black	Brass	BLK
625	Bright Chrome	Brass	625
626	Satin Chrome	Brass	626
-	Aged Bronze	Brass	643e/716
689	Aluminum Painted	Brass	SP28
691	Bronze Painted	Brass	SP10
695	Dark Bronze Painted	Brass	SP313/US10BE
706	Brass Painted	Brass	SP4

For other colors, consult factory.



Hinges and pivots

Offset pivots

7215/7215F

3/4" Offset pivot, 500lb with top header mount (fire and non-fire rated models)

- Maximum door load 500 pounds
- Recommended for use with 1 3/4" minimum door thickness, with 1/8" bevel in 2"
- Vertical adjustment range 3/16", with positive locking
- Handed LH or RH
- 7215 Set (7215 Top and 7215 Btm)
- 7215 Top (7212-7215-7222-7226-7227 Top), header mount
- 7215 Btm (7215 Btm), jamb mount
- 7215F Set (7215F Top and 7215F Btm), fire rated
- 7215F Top (7215F-7226F-7227F Top), header mount, fire rated
- 7215F Btm (7215F Btm), jamb mount, fire rated
- Optional WP resistant bottom pivot is modified for improved corrosion resistance [available in US26D (626) or US32D (630) only]

Specifications

Material substrate	<ul style="list-style-type: none"> ▪ 7215 - Made from cast brass ▪ 7215F - Made from 304 series stainless steel
Certifications	<ul style="list-style-type: none"> ▪ Meets ANSI/BHMA A156.4 C07131 ▪ 7215 - UL 10C Listed (20 min) ▪ 7215F - UL 10C Listed (3 hour)

Available accessories

7215 INT	(7215-7226-7227) Intermediate pivot (handed) as needed
7215F INT	(7215F-7226F-7227F) Intermediate pivot (handed) as needed
7215PT INT or 7215FPT INT	(7215-7226-7227 PT INT) or (7215F-7226F-7227F PT INT) power transfer intermediate pivot (handed) for electrical applications; for additional wiring applications, consult product support

See general information for specifics on how many intermediate pivots are recommended.

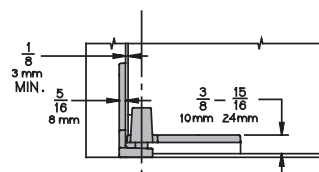
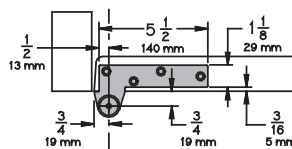
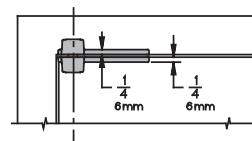
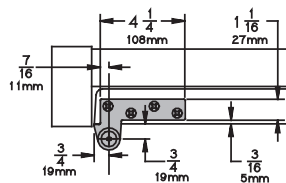
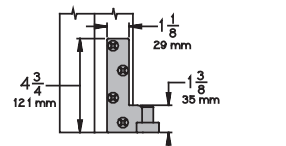
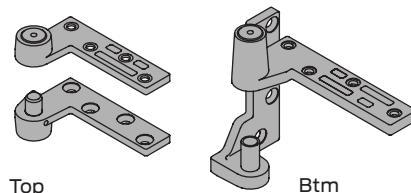
7215 Finishes

BHMA	Description	Substrate	Finish
605	Bright brass	Brass	US3
606	Satin brass	Brass	US4
612	Satin bronze	Brass	US10
613	Oil rubbed bronze	Brass	US10B
619	Satin nickel	Brass	US15
622	Matte black	Brass	BLK
625	Bright chrome	Brass	625
626	Satin chrome	Brass	626
-	Aged bronze	Brass	643e/716
689	Aluminum painted	Brass	SP28
691	Bronze painted	Brass	SP10
695	Dark bronze painted	Brass	SP313/US10BE
706	Brass painted	Brass	SP4

7215F Finishes

BHMA	Description	Substrate	Finish
629	Bright stainless	Stainless steel	US32
630	Satin stainless	Stainless steel	US32D
631	Matte black	Stainless steel	BLK
632	Bright brass	Stainless steel	US3
639	Satin bronze	Stainless steel	US10
-	Aged bronze	Stainless steel	643e/716
689	Aluminum painted	Stainless steel	SP28
691	Bronze painted	Stainless steel	SP10
695	Dark bronze painted	Stainless steel	SP313/US10BE
706	Brass painted	Stainless steel	SP4

For other colors, consult factory.



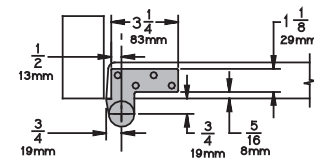
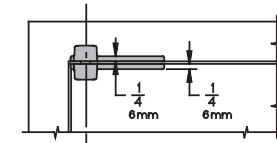
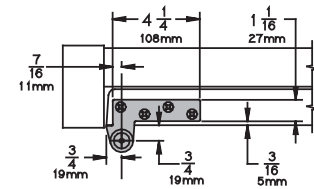
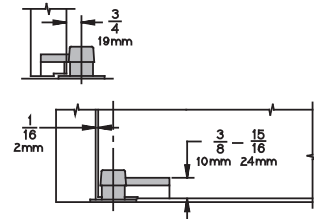
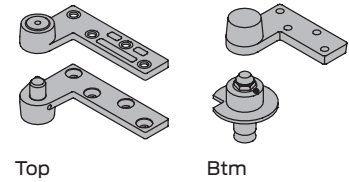
Hinges and pivots

Offset pivots

7222

3/4" Offset pivot, 200lb with top header mount and bottom base mount

- Maximum door load 200 pounds
- Recommended for use with 1 3/4" minimum door thickness, with 1/8" bevel in 2"
- Vertical adjustment range 3/16", with positive locking
- Handed LH or RH
- 7222 Set (7222 Top and 7222 Btm)
- 7222 Top (7212-7215-7222-7226-7227 Top), header mount
- 7222 Btm (7222 Btm), base plate mount



Specifications

Material substrate	Made from cast brass
Certifications	<ul style="list-style-type: none"> ▪ Meets ANSI/BHMA A156.4 C07162 ▪ UL10C Listed (20 min)

Available accessories

7222 INT (7212-7212V-7222) Intermediate pivot (handed) as needed

See general information for specifics on how many intermediate pivots are recommended.

7222 Finishes

BHMA	Description	Substrate	Finish
605	Bright brass	Brass	US3
606	Satin brass	Brass	US4
612	Satin bronze	Brass	US10
613	Oil rubbed bronze	Brass	US10B
619	Satin nickel	Brass	US15
622	Matte black	Brass	BLK
625	Bright chrome	Brass	625
626	Satin chrome	Brass	626
-	Aged bronze	Brass	643e/716
689	Aluminum painted	Brass	SP28
691	Bronze painted	Brass	SP10
695	Dark bronze painted	Brass	SP313/US10BE
706	Brass painted	Brass	SP4

For other colors, consult factory.

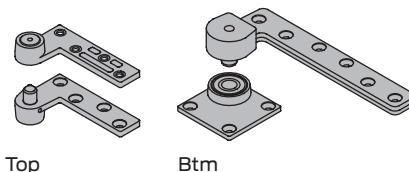
Hinges and pivots

Offset pivots

7226 / 7226F

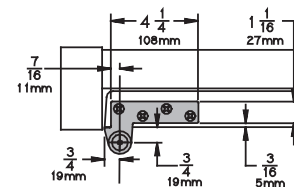
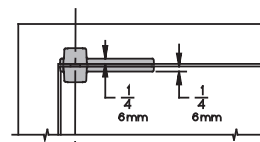
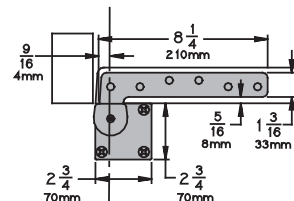
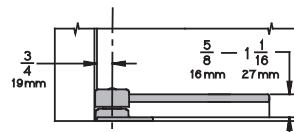
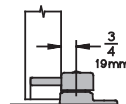
3/4" Offset pivot, 600lb with top header mount and bottom base mount (fire and non-fire rated models)

- Maximum door load 600 pounds
- Recommended for use with 1 3/4" minimum door thickness, with 1/8" bevel in 2"
- Vertical adjustment range 3/16", with positive locking
- Non-handed
- 7226 Set (7226 Top and 7226 Btm)
- 7226 Top (7212-7215-7222-7226-7227 Top), header mount
- 7226 Btm (7226 Btm), base plate mount
- 7226F Set (7226F Top and 7226F Btm), fire rated
- 7226F Top (7215F-7226F-7227F Top), header mount, fire rated
- 7226F Btm (7226F Btm), base plate mount, fire rated



Top

Btm



Specifications

Material substrate	<ul style="list-style-type: none"> ▪ 7226 - Made from cast brass ▪ 7226F - Made from 304 series stainless steel
Certifications	<ul style="list-style-type: none"> ▪ Meets ANSI/BHMA A156.4 C07162 ▪ 7226 - UL10C Listed (20 min) ▪ 7226F - UL10C Listed (3 hour)

Available accessories

7226 INT	(7215-7226-7227) Intermediate pivot (handed) as needed
7226F INT	(7215F-7226F-7227F) Intermediate pivot (handed) as needed
7226PT INT or 7226FPT INT	(7215-7226-7227 PT INT) or (7215F-7226F-7227F PT INT) power transfer intermediate pivot (handed) for electrical applications; for additional wiring applications, consult product support

See general information for specifics on how many intermediate pivots are recommended.

7226 Finishes

BHMA	Description	Substrate	Finish
605	Bright Brass	Brass	US3
606	Satin Brass	Brass	US4
612	Satin Bronze	Brass	US10
613	Oil Rubbed Bronze	Brass	US10B
619	Satin Nickel	Brass	US15
622	Matte Black	Brass	BLK
625	Bright Chrome	Brass	625
626	Satin Chrome	Brass	626
-	Aged Bronze	Brass	643e/716
689	Aluminum Painted	Brass	SP28
691	Bronze Painted	Brass	SP10
695	Dark Bronze Painted	Brass	SP313/US10BE
706	Brass Painted	Brass	SP4

7226F Finishes

BHMA	Description	Substrate	Finish
629	Bright Stainless	Stainless steel	US32
630	Satin Stainless	Stainless steel	US32D
631	Matte Black	Stainless steel	BLK
632	Bright Brass	Stainless steel	US3
639	Satin Bronze	Stainless steel	US10
-	Aged Bronze	Stainless steel	643e/716
689	Aluminum Painted	Stainless steel	SP28
691	Bronze Painted	Stainless steel	SP10
695	Dark Bronze Painted	Stainless steel	SP313/US10BE
706	Brass Painted	Stainless steel	SP4

For other colors, consult factory.

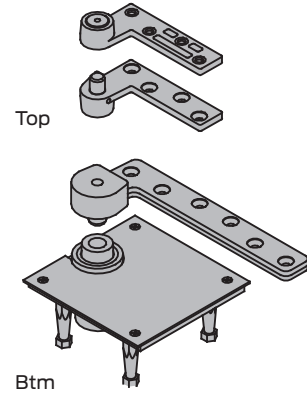
Hinges and pivots

Offset pivots

7227/7227F

3/4" Offset pivot, 700lb with top header mount and bottom base mount (fire and non-fire rated models)

- Maximum door load 700 pounds
- Recommended for use with 1 3/4" minimum door thickness, with 1/8" bevel in 2"
- Vertical adjustment range 3/16", with positive locking
- Non-handed
- 7227 Set (7227 Top and 7227 Btm)
- 7227 Top (7212-7215-7222-7226-7227 Top), header mount
- 7227 Btm (7227 Btm), base plate mount
- 7227F Set (7227F Top and 7227F Btm), fire rated
- 7227F Top (7215F-7226F-7227F Top), header mount, fire rated
- 7227F Btm (7227F Btm), base plate mount, fire rated



Specifications

Material substrate	<ul style="list-style-type: none"> 7227 - Made from cast brass 7227F - Made from 304 series stainless steel
Certifications	<ul style="list-style-type: none"> Meets ANSI/BHMA A156.4 C07121 7227 - UL10C Listed (20 min) 7227F - UL10C Listed (3 hour)

Available accessories

7227 INT	(7215-7226-7227) Intermediate pivot (handed) as needed
7227F INT	(7215F-7226F-7227F) Intermediate pivot (handed) as needed
7227PT INT or 7227FPT INT	(7215-7226-7227 PT INT) or (7215F-7226F-7227F PT INT) power transfer intermediate pivot (handed) for electrical applications; for additional wiring applications, consult product support

See general information for specifics on how many intermediate pivots are recommended.

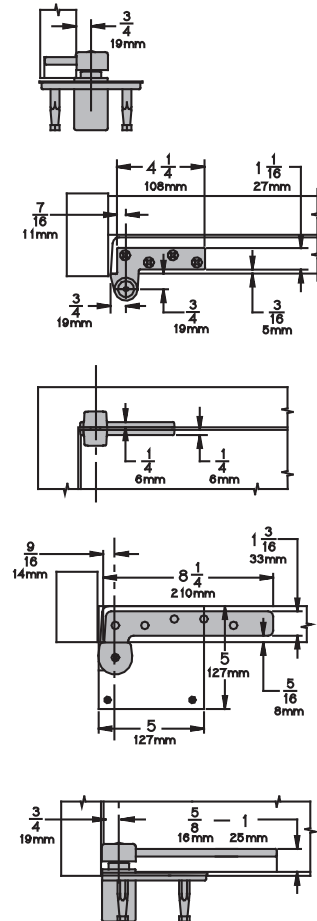
7227 Finishes

BHMA	Description	Substrate	Finish
605	Bright brass	Brass	US3
606	Satin brass	Brass	US4
612	Satin bronze	Brass	US10
613	Oil rubbed bronze	Brass	US10B
619	Satin nickel	Brass	US15
622	Matte black	Brass	BLK
625	Bright chrome	Brass	625
626	Satin chrome	Brass	626
-	Aged bronze	Brass	643e/716
689	Aluminum painted	Brass	SP28
691	Bronze painted	Brass	SP10
695	Dark bronze painted	Brass	SP313/US10BE
706	Brass painted	Brass	SP4

7227F Finishes

BHMA	Description	Substrate	Finish
629	Bright stainless	Stainless steel	US32
630	Satin stainless	Stainless steel	US32D
631	Matte black	Stainless steel	BLK
632	Bright brass	Stainless steel	US3
639	Satin bronze	Stainless steel	US10
-	Aged bronze	Stainless steel	643e/716
689	Aluminum painted	Stainless steel	SP28
691	Bronze painted	Stainless steel	SP10
695	Dark bronze painted	Stainless steel	SP313/US10BE
706	Brass painted	Stainless steel	SP4

For other colors, consult factory.



Introduction

Table of contents

Hinges and pivots

Pulls, push bars and plates

Flush bolts, strikes and coordinators

Latches, catches and bolts

Door stops, holders and silencers

Exterior hardware

Miscellaneous hardware

Hinges and pivots

Offset pivots

7230F

3/4" Offset pivot, 1000lb with top header mount and bottom base mount (fire rated)

- Maximum door load 1000 pounds
- Recommended for use with 1 3/4" minimum door thickness, with 1/8" bevel in 2"
- Vertical adjustment range 3/16", with positive locking
- Non-handed
- 7230F Set (7230F Top and 7230F Btm)
- 7230F Top (7230F-7237F Top), header mount
- 7230F Btm (7230F Btm), base plate mount

Specifications

Material substrate	Made from 304 series stainless steel
Certifications	<ul style="list-style-type: none"> ▪ Meets ANSI/BHMA A156.4 C07162 ▪ UL10C Listed (3 hour)

Available accessories

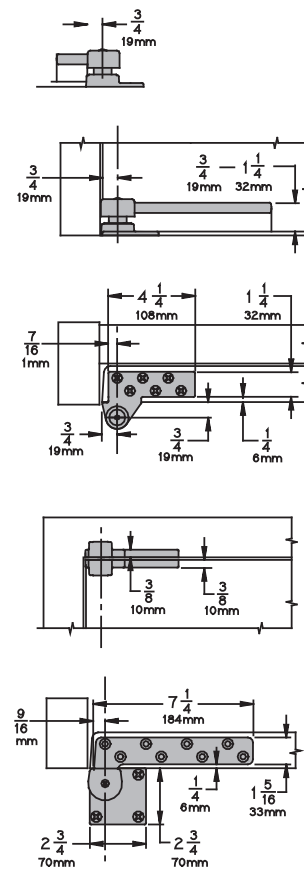
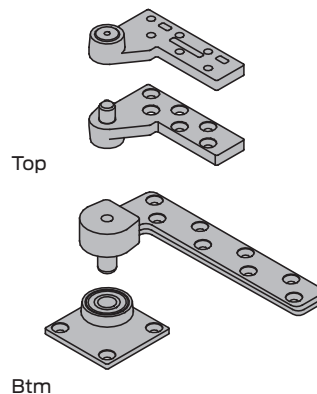
7230F INT	(7230F-7237F) Intermediate pivot (handed) as needed
7230FPT INT	(7230F-7237F PT INT) power transfer intermediate pivot for electrical applications; for additional wiring applications, consult product support

See general information for specifics on how many intermediate pivots are recommended.

7230F Finishes

BHMA	Description	Substrate	Finish
629	Bright stainless	Stainless steel	US32
630	Satin stainless	Stainless steel	US32D
631	Matte black	Stainless steel	BLK
632	Bright brass	Stainless steel	US3
639	Satin bronze	Stainless steel	US10
-	Aged bronze	Stainless steel	643e/716
689	Aluminum painted	Stainless steel	SP28
691	Bronze painted	Stainless steel	SP10
695	Dark bronze painted	Stainless steel	SP313/US10BE
706	Brass painted	Stainless steel	SP4

For other colors, consult factory.



Hinges and pivots

Offset pivots

7237F

3/4" Offset pivot, 1750lb with top header mount and bottom base mount (fire rated)

- Maximum door load 1750 pounds
- Recommended for use with 1 3/4" minimum door thickness, with 1/8" bevel in 2"
- Vertical adjustment range 3/16", with positive locking
- Non-handed
- 7237F Set (7237F Top and 7237F Btm)
- 7237F Top (7230F-7237F Top), header mount
- 7237F Btm (7237F Btm), mortised cement case mount

Specifications

Material substrate	Made from 304 series stainless steel
Certifications	<ul style="list-style-type: none"> ▪ Meets ANSI/BHMA A156.4 C07111 ▪ UL10C Listed (3 hour)

Available accessories

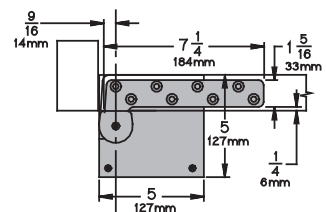
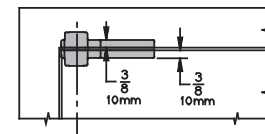
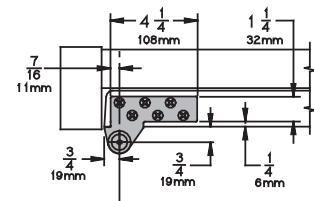
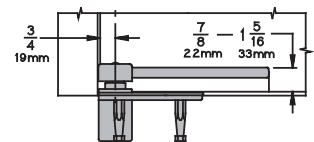
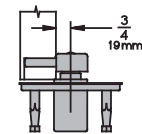
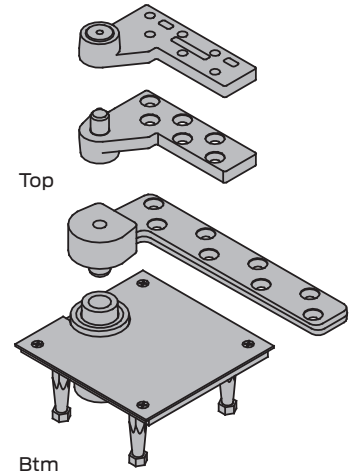
7237F INT	(7230F-7237F) Intermediate pivot (handed) as needed
7237FPT INT	(7230F-7237F PT INT) power transfer intermediate pivot for electrical applications; for additional wiring applications, consult product support

See general information for specifics on how many intermediate pivots are recommended.

7237F Finishes

BHMA	Description	Substrate	Finish
629	Bright stainless	Stainless steel	US32
630	Satin stainless	Stainless steel	US32D
631	Matte black	Stainless steel	BLK
632	Bright brass	Stainless steel	US3
639	Satin bronze	Stainless steel	US10
-	Aged bronze	Stainless steel	643e/716
689	Aluminum painted	Stainless steel	SP28
691	Bronze painted	Stainless steel	SP10
695	Dark bronze painted	Stainless steel	SP313/US10BE
706	Brass painted	Stainless steel	SP4

For other colors, consult factory.



Hinges and pivots

Offset pivots

7244F

1 1/2" Offset pivot, 400lb with top header mount and bottom base mount (fire rated)

- Maximum door load 400 pounds
- Recommended for use with 1 3/4" minimum door thickness, with 1/8" bevel in 2"
- Vertical adjustment range 3/16", with positive locking
- Non-handed
- 7244F Set (7244F Top and 7244F Btm)
- 7244F Top (7244F-7245F Top), header mount
- 7244F Btm (7244F Btm), base mount

Specifications

Material substrate	Made from 304 series stainless steel
Certifications	<ul style="list-style-type: none"> ▪ Meets ANSI/BHMA A156.4 C07162 ▪ UL10C Listed (3 hour)

Available accessories

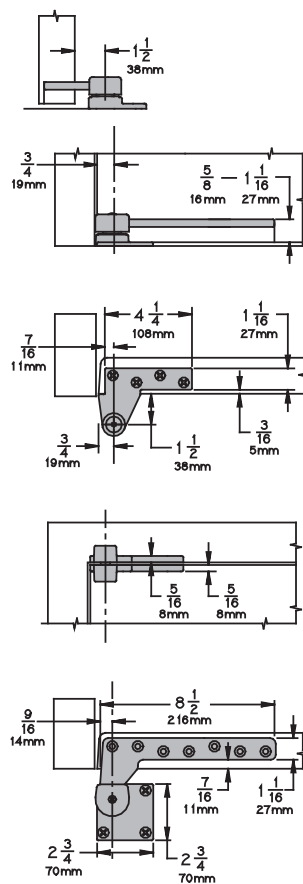
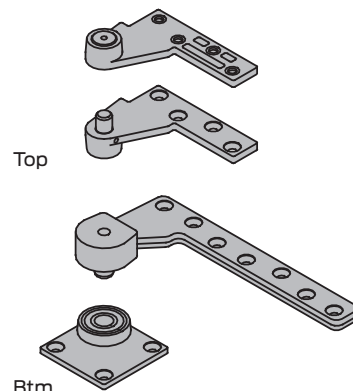
7244F INT (7244F-7245F) Intermediate pivot (handed) as needed; for additional electrical wiring applications, consult product support

See general information for specifics on how many intermediate pivots are recommended.

7244F Finishes

BHMA	Description	Substrate	Finish
629	Bright stainless	Stainless steel	US32
630	Satin stainless	Stainless steel	US32D
631	Matte black	Stainless steel	BLK
632	Bright brass	Stainless steel	US3
639	Satin bronze	Stainless steel	US10
–	Aged bronze	Stainless steel	643e/716
689	Aluminum painted	Stainless steel	SP28
691	Bronze painted	Stainless steel	SP10
695	Dark bronze painted	Stainless steel	SP313/US10BE
706	Brass painted	Stainless steel	SP4

For other colors, consult factory.



Hinges and pivots

Offset pivots

7245F

1 1/2" Offset pivot, 500lb with top header mount and bottom base mount (fire rated)

- Maximum door load 500 pounds
- Recommended for use with 1 3/4" minimum door thickness, with 1/8" bevel in 2"
- Vertical adjustment range 3/16", with positive locking
- Non-handed
- 7245F Set (7245F Top and 7245F Btm)
- 7245F Top (7244F-7245F Top), header mount
- 7245F Btm (7245F Btm), mortised cement case mount

Specifications

Material substrate	Made from 304 series stainless steel
Certifications	<ul style="list-style-type: none"> ▪ Meets ANSI/BHMA A156.4 C07121 ▪ UL10C Listed (3 hour)

Available accessories

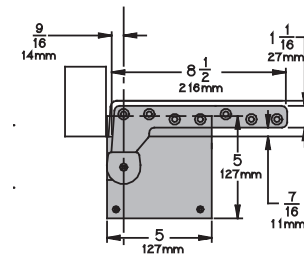
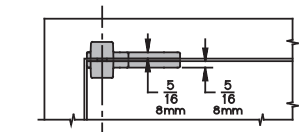
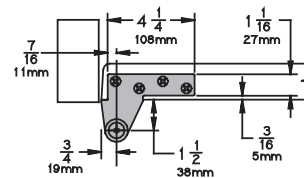
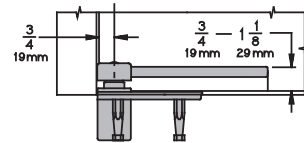
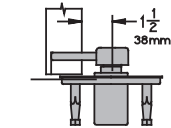
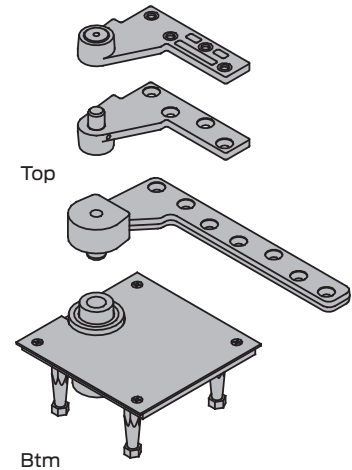
7245F INT (7244F-7245F) Intermediate pivot (handed) as needed; for additional electrical wiring applications, consult product support

See general information for specifics on how many intermediate pivots are recommended.

7245F Finishes

BHMA	Description	Substrate	Finish
629	Bright stainless	Stainless steel	US32
630	Satin stainless	Stainless steel	US32D
631	Matte black	Stainless steel	BLK
632	Bright brass	Stainless steel	US3
639	Satin bronze	Stainless steel	US10
-	Aged bronze	Stainless steel	643e/716
689	Aluminum painted	Stainless steel	SP28
691	Bronze painted	Stainless steel	SP10
695	Dark bronze painted	Stainless steel	SP313/US10BE
706	Brass painted	Stainless steel	SP4

For other colors, consult factory.



Hinges and pivots

Intermediate pivots

7212-7212V-7222 INT

3/4" Offset intermediate pivot

NFPA 80, Section 3-3.8 requires intermediate pivot on some fire door applications, consult product support. Use for door heights over 7'0" and one every 2'6" as needed.

- This intermediate pivot is used with 7212, 7212V, and 7222 offset pivots
- Use for door weight over the pivot set limit.
Use one additional pivot for every additional 100 pounds.
- Recommended for use with 1 3/4" minimum door thickness, with 1/8" bevel in 2"
- Handed LH or RH

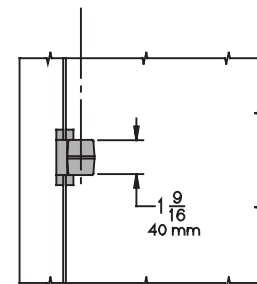
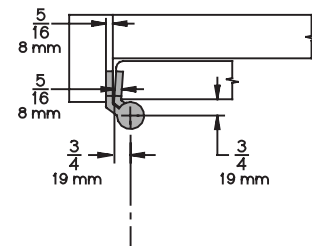
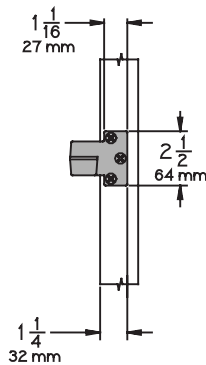
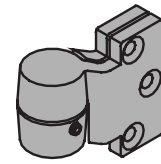
Specifications

Material substrate	Made from cast brass
Certifications	<ul style="list-style-type: none"> ▪ Meets ANSI/BHMA A156.4 C07382 ▪ UL10C Listed (3 hour)

7212-7212V-7222 INT Finishes

BHMA	Description	Substrate	Finish
605	Bright brass	Brass	US3
606	Satin brass	Brass	US4
612	Satin bronze	Brass	US10
613	Oil rubbed bronze	Brass	US10B
619	Satin nickel	Brass	US15
622	Matte black	Brass	BLK
625	Bright chrome	Brass	625
626	Satin chrome	Brass	626
-	Aged bronze	Brass	643e/716
689	Aluminum painted	Brass	SP28
691	Bronze painted	Brass	SP10
695	Dark bronze painted	Brass	SP313/US10BE
706	Brass painted	Brass	SP4

For other colors, consult factory.

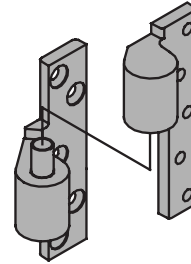


7215-7226-7227 INT/ 7215F-7226F-7227F INT

3/4" Offset intermediate pivot (fire and non-fire rated models)

NFPA 80, Section 3-3.8 requires intermediate pivot on some fire door applications, consult product support. Use for door heights over 7'0" and one every 2'6" as needed.

- 7215-7226-7227 intermediate pivot is used with 7215, 7226, and 7227 offset pivots
- 7215F-7226F-7227F intermediate pivot is used with 7215F, 7226F, and 7227F offset pivots; fire rated
- Use for door weight over the pivot set limit. Use one additional pivot for every additional 100 pounds
- Recommended for use with 1 3/4" minimum door thickness, with 1/8" bevel in 2"
- Handed LH or RH



Specifications

Material substrate	<ul style="list-style-type: none"> 7215-7226-7227 - Made from cast brass 7215F-7226F-7227F - Made from 304 series stainless steel
Certifications	<ul style="list-style-type: none"> 7215-7226-7227 - Meets ANSI/BHMA A156.4 C07321 7215-7226-7227 - UL10C Listed (20 min) 7215F-7226F-7227F - Meets ANSI/BHMA A156.4 C07371 7215F-7226F-7227F - UL10C Listed (3 hour)

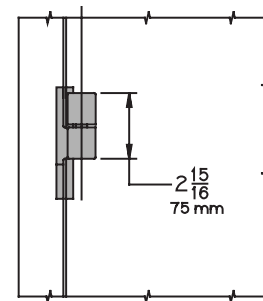
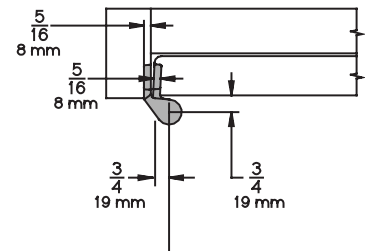
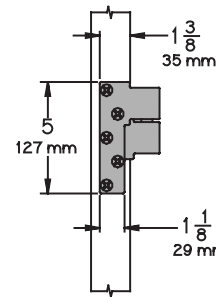
7215-7226-7227 INT Finishes

BHMA	Description	Substrate	Finish
605	Bright brass	Brass	US3
606	Satin brass	Brass	US4
612	Satin bronze	Brass	US10
613	Oil rubbed bronze	Brass	US10B
619	Satin nickel	Brass	US15
622	Matte black	Brass	BLK
625	Bright chrome	Brass	625
626	Satin chrome	Brass	626
-	Aged bronze	Brass	643e/716
689	Aluminum painted	Brass	SP28
691	Bronze painted	Brass	SP10
695	Dark bronze painted	Brass	SP313/US10BE
706	Brass painted	Brass	SP4

7215F-7226F-7227F INT Finishes

BHMA	Description	Substrate	Finish
629	Bright stainless	Stainless steel	US32
630	Satin stainless	Stainless steel	US32D
631	Matte black	Stainless steel	BLK
632	Bright brass	Stainless steel	US3
639	Satin bronze	Stainless steel	US10
-	Aged bronze	Stainless steel	643e/716
689	Aluminum painted	Stainless steel	SP28
691	Bronze painted	Stainless steel	SP10
695	Dark bronze painted	Stainless steel	SP313/US10BE
706	Brass painted	Stainless steel	SP4

For other colors, consult factory.



Hinges and pivots

Intermediate pivots

7230F-7237F INT

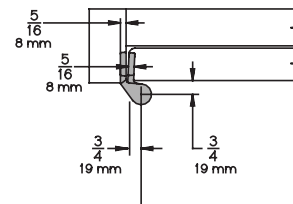
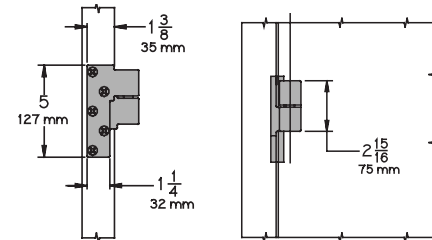
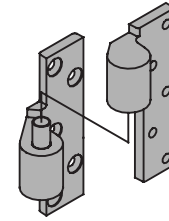
3/4" Offset intermediate pivot, fire rated

NFPA 80, Section 3-3.8 requires intermediate pivot on some fire door applications, consult product support. Use for door heights over 7'0" and one every 2'6" as needed.

- This intermediate pivot is used with 7230F and 7237F offset pivots
- Use for door weight over the pivot set limit.
Use one additional pivot for every additional 100 pounds
- Recommended for use with 1 3/4" minimum door thickness, with 1/8" bevel in 2"
- Handed LH or RH

Specifications

Material substrate	Made from 304 series stainless steel
Certifications	<ul style="list-style-type: none"> ▪ Meets ANSI/BHMA A156.4 C07311 ▪ UL10C Listed (3 hour)



7244F-7245F INT

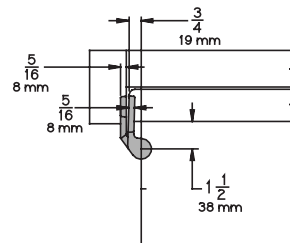
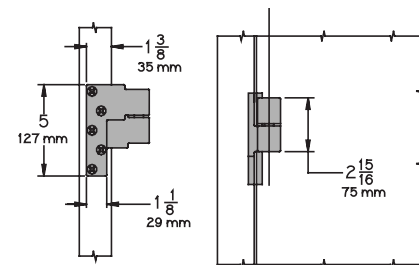
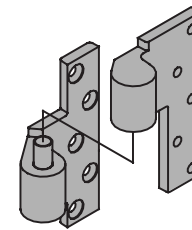
1 1/2" Offset intermediate pivot, fire rated

NFPA 80, Section 3-3.8 requires intermediate pivot on some fire door applications, consult product support. Use for door heights over 7'0" and one every 2'6" as needed.

- This intermediate pivot is used with 7244F and 7245F offset pivots
- Use for door weight over the pivot set limit, use one additional pivot for every additional 100 pounds.
- Recommended for use with 1 3/4" minimum door thickness, with 1/8" bevel in 2"
- Handed LH or RH

Specifications

Material substrate	Made from 304 series stainless steel
Certifications	<ul style="list-style-type: none"> ▪ Meets ANSI/BHMA A156.4 C07371 ▪ UL10C Listed (3 hour)



7230F-7237F INT and 7244F-7245F INT Finishes

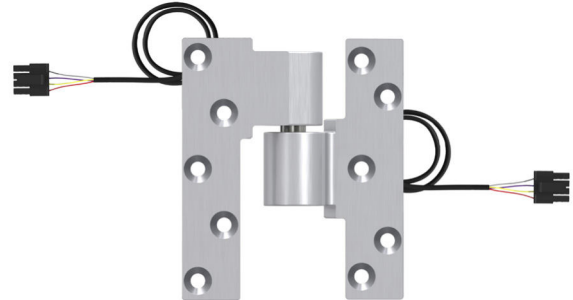
BHMA	Description	Substrate	Finish
629	Bright stainless	Stainless steel	US32
630	Satin stainless	Stainless steel	US32D
631	Matte black	Stainless steel	BLK
632	Bright brass	Stainless steel	US3
639	Satin bronze	Stainless steel	US10
-	Aged bronze	Stainless steel	643e/716
689	Aluminum painted	Stainless steel	SP28
691	Bronze painted	Stainless steel	SP10
695	Dark bronze painted	Stainless steel	SP313/US10BE
706	Brass painted	Stainless steel	SP4

For other colors, consult factory.

7215PT-7226PT-7227PT INT / 7215FPT-7226FPT-7227FPT INT

3/4" Offset power transfer intermediate pivot (fire and non-fire rated models)

- 7215PT-7226PT-7227PT intermediate pivot is used with 7215, 7226, and 7227 offset pivots
- 7215FPT-7226FPT-7227FPT intermediate pivot is used with 7215F, 7226F, 7227F offset pivots; fire rated
- Non-load bearing
- 28 gauge wire, available in TW4 or TW8 configurations. For other wiring configurations, contact product support.
- Rated 50 VDC or VAC @ 3.5 amps. Continuous or 16 amp pu maximum pulse 400 milliseconds
- Recommended for use with 1 3/4" minimum door thickness, with 1/8" bevel in 2"
- Handed LH or RH



Specifications

- | | |
|--------------------|---|
| Material substrate | <ul style="list-style-type: none"> 7215PT-7226PT-7227PT - Offered in brass substrate 7215FPT-7226FPT-7227FPT - Offered in stainless steel |
| Certifications | <ul style="list-style-type: none"> 7215PT-7226PT-7227PT - UL10C Listed (20 min) 7215FPT-7226FPT-7227FPT - UL10C Listed (3 hour) Meets UL 634 7215PT-7226PT-7227PT - UL10C Listed (20 min) 7215FPT-7226FPT-7227FPT - UL10C Listed (3 hour) Meets UL 634 |

7215PT-7226PT-7227PT INT Finishes

BHMA	Description	Substrate	Finish
605	Bright brass	Brass	US3
606	Satin brass	Brass	US4
612	Satin bronze	Brass	US10
613	Oil rubbed bronze	Brass	US10B
619	Satin nickel	Brass	US15
622	Matte black	Brass	BLK
625	Bright chrome	Brass	625
626	Satin chrome	Brass	626
-	Aged bronze	Brass	643e/716
689	Aluminum painted	Brass	SP28
691	Bronze painted	Brass	SP10
695	Dark bronze painted	Brass	SP313/US10BE
706	Brass painted	Brass	SP4

For other colors, consult factory.

7215FPT-7226FPT-7227FPT INT Finishes

BHMA	Description	Substrate	Finish
629	Polished stainless steel	Steel	US32
630	Satin stainless steel	Steel	US32D
631	Matte black	Steel	F-BLK
632	Bright brass	Steel	US3
639	Satin bronze plated	Steel	US10
-	Aged bronze	Steel	643e/716
689	Aluminum painted	Steel	SP28
691	Bronze painted	Steel	SP10
695	Dark bronze painted	Steel	SP313/US10BE
706	Brass painted	Steel	SP4

For other colors, consult factory.

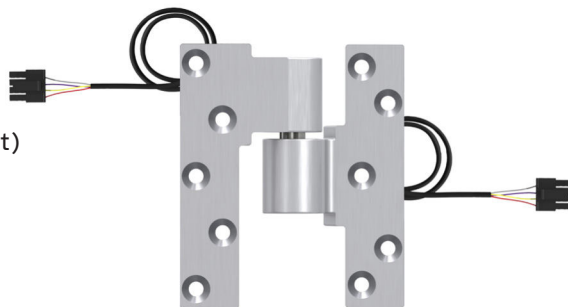
Hinges and pivots

Intermediate pivots

7230FPT-7237FPT INT

3/4" Offset power transfer intermediate pivot (fire rated)

- 7230FPT-7237FPT INT $\frac{3}{4}$ " fire rated intermediate pivot is used with 7230F, 7237F offset pivots
- Non-load bearing
- Available in with 28 gauge TW4 or TW8 (for additional electrical wiring applications, consult product support)
- Rated 50 VDC or VAC @ 3.5 amps; Continuous or 16 amp pulse, maximum pulse 400 milliseconds
- Recommended for use with $1\frac{3}{4}$ " minimum door thickness, with $\frac{1}{8}$ " bevel in 2"
- Handed LH or RH



Specifications

Material substrate	Offered in stainless steel
Certifications	<ul style="list-style-type: none"> UL10C Listed (3 hour) Meets UL 634

7230FPT - 7237FPT INT Finishes

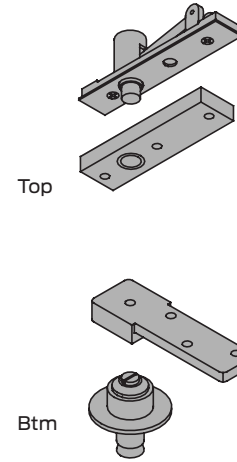
BHMA	Description	Substrate	Finish
629	Polished stainless steel	Steel	US32
630	Satin stainless steel	Steel	US32D
631	Matte black	Steel	F-BLK
632	Bright brass	Steel	US3
639	Satin bronze plated	Steel	US10
-	Aged bronze	Steel	643e
689	Aluminum painted	Steel	SP28
691	Bronze painted	Steel	SP10
695	Dark bronze painted	Steel	SP313/US10BE
706	Brass painted	Steel	SP4

For other colors, consult factory.

7253

Center hung pivot, 300lb with bottom base mount

- Maximum door load 300 pounds
- Recommended for use with 1 3/4" minimum door thickness
- Not recommended for doors larger than 4'0" X 8'0"
- Easy installation, tilt on bearing and bearing pin
- Adjustable floor to door clearance 3/16" to 3/4", consult product support if greater than 3/4"
- Vertical adjustment range 3/16", with positive locking
- Non-handed
- 7253 Set (7253 Top and 7253 Btm)
- 7253 Top (7253-7255-7255J-7256 Top), header mount
- 7253 Btm (7253 Btm), base plate mount



Specifications

Material substrate	Made from cast brass
Certifications	Meets ANSI/BHMA A156.4 C07032
Dimensions	<ul style="list-style-type: none"> Radius stop (A) to clear heel of door edge. Pivot distance (B) 1 3/4" (44mm) minimum from jamb to centerline of pivot pin. Radius heel edge of door, 1 5/8" (41mm) minimum recommended. Clearance from bottom edge of door to floor mounting surface is adjustable from 3/16" (5mm) to 3/4" (19mm) by varying the depth of the mortise (C) in the bottom of the door, refer to Chart D. Consult product support when clearance is over 3/4" (19mm).

7253 Finishes

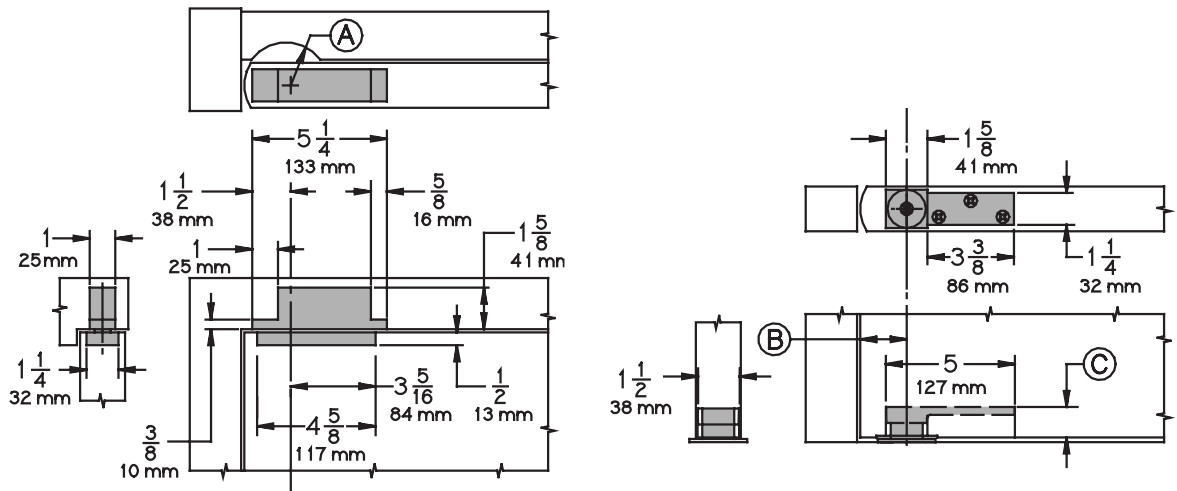
BHMA	Description	Substrate	Finish
605	Bright brass	Brass	US3
606	Satin brass	Brass	US4
612	Satin bronze	Brass	US10
613	Oil rubbed bronze	Brass	US10B
619	Satin nickel	Brass	US15
622	Matte black	Brass	BLK
625	Bright chrome	Brass	625
626	Satin chrome	Brass	626
-	Aged bronze	Brass	643e/716
689	Aluminum painted	Brass	SP28
691	Bronze painted	Brass	SP10
695	Dark bronze painted	Brass	SP313/US10BE
706	Brass painted	Brass	SP4

For other colors, consult factory.

Table D

Clearance depth of mortise

3/16" (5mm)	1 3/16" (30mm)
3/8" (10mm)	1" (25mm)
1/2" (13mm)	7/8" (22mm)
5/8" (16mm)	3/4" (19mm)
3/4" (19mm)	5/8" (16mm)



Introduction
Table of contents
Hinges and pivots
Pulls, push bars and plates
Flush bolts, strikes and coordinators
Latches, catches and bolts
Door stops, holders and silencers
Exterior hardware
Miscellaneous hardware

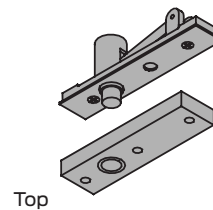
Hinges and pivots

Center hung pivots

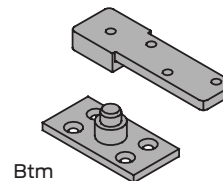
7255

Center hung pivot, 500lb with bottom base mount

- Maximum door load 500 pounds
- Recommended for use with $1\frac{3}{4}$ " minimum door thickness
- Not recommended for doors larger than 4'0" X 8'0"
- Easy installation, tilt on bearing and bearing pin
- Adjustable floor to door clearance $\frac{3}{16}$ " to $\frac{3}{4}$ ", consult product support if greater than $\frac{3}{4}$ "
- Vertical adjustment range $\frac{3}{16}$ ", with positive locking
- Non-handed
- 7255 Set (7255 Top and 7255 Btm)
- 7255 Top (7253-7255-7255J-7256 Top), header mount
- 7255 Btm (7255 Btm), base plate mount



Top



Btm

Specifications

Material substrate	Made from cast brass
Certifications	Meets ANSI/BHMA A156.4 C07032
Dimensions	<ul style="list-style-type: none"> ▪ Radius stop (A) to clear heel of door edge ▪ Pivot distance (B) $1\frac{3}{4}$" (44mm) minimum from jamb to centerline of pivot pin. Radius heel edge of door, $1\frac{5}{8}$" (41mm) minimum recommended. ▪ Clearance from bottom edge of door to floor mounting surface is adjustable from $\frac{3}{16}$" (5mm) to $\frac{3}{4}$" (19mm) by varying the depth of the mortise (C) in the bottom of the door, refer to Chart D. Consult product support when clearance is over $\frac{3}{4}$" (19mm).

7255 Finishes

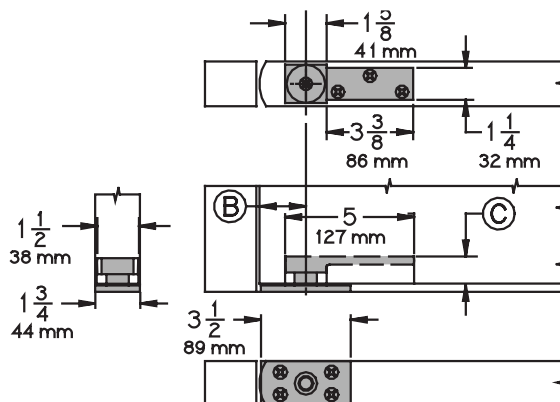
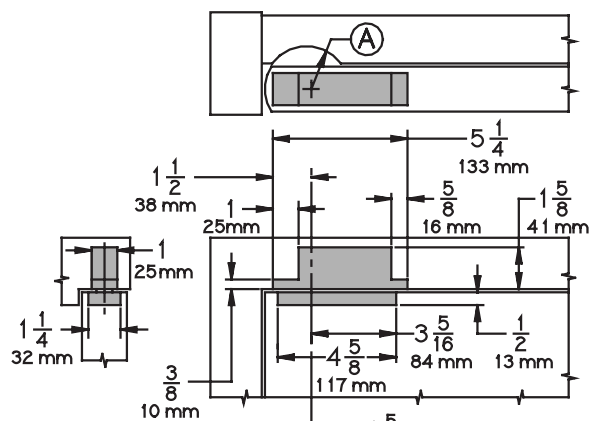
BHMA	Description	Substrate	Finish
605	Bright brass	Brass	US3
606	Satin brass	Brass	US4
612	Satin bronze	Brass	US10
613	Oil rubbed bronze	Brass	US10B
619	Satin nickel	Brass	US15
622	Matte black	Brass	BLK
625	Bright chrome	Brass	625
626	Satin chrome	Brass	626
–	Aged bronze	Brass	643e/716
689	Aluminum painted	Brass	SP28
691	Bronze painted	Brass	SP10
695	Dark bronze painted	Brass	SP313/US10BE
706	Brass painted	Brass	SP4

For other colors, consult factory.

Table D

Clearance depth of mortise

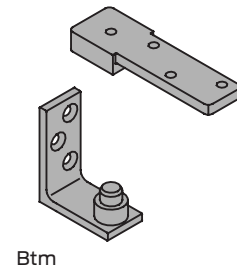
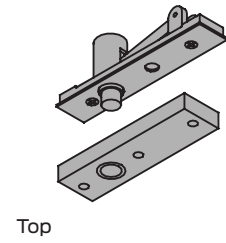
$\frac{3}{16}$ " (5mm)	$1\frac{3}{16}$ " (30mm)
$\frac{3}{8}$ " (10mm)	1" (25mm)
$\frac{1}{2}$ " (13mm)	$\frac{7}{8}$ " (22mm)
$\frac{5}{8}$ " (16mm)	$\frac{3}{4}$ " (19mm)
$\frac{3}{4}$ " (19mm)	$\frac{5}{8}$ " (16mm)



7255J

Center hung pivot, 500lb with bottom jamb mount

- Maximum door load 500 pounds
- Recommended for use with 1 3/4" minimum door thickness
- Not recommended for doors larger than 4'0" X 8'0"
- Easy installation, tilt on bearing and bearing pin
- Adjustable floor to door clearance 3/16" to 3/4", consult product support if greater than 3/4"
- Vertical adjustment range 3/16", with positive locking
- Non-handed
- 7255J Set (7255J Top and 7255J Btm)
- 7255J Top (7253-7255-7255J-7256 Top), header mount
- 7255J Btm (7255J Btm), jamb mount



Specifications

Material substrate	Made from cast brass
Certifications	Meets ANSI/BHMA A156.4 C07042
Dimensions	<ul style="list-style-type: none"> Radius stop (A) to clear heel of door edge. Pivot distance (B) 1 3/4" (44mm) minimum from jamb to centerline of pivot pin. Radius heel edge of door, 1 5/8" (41mm) minimum recommended. Clearance from bottom edge of door to floor mounting surface is adjustable from 3/16" (5mm) to 3/4" (19mm) by varying the depth of the mortise (C) in the bottom of the door, refer to Chart D. Consult product support when clearance is over 3/4" (19mm).

7255 Finishes

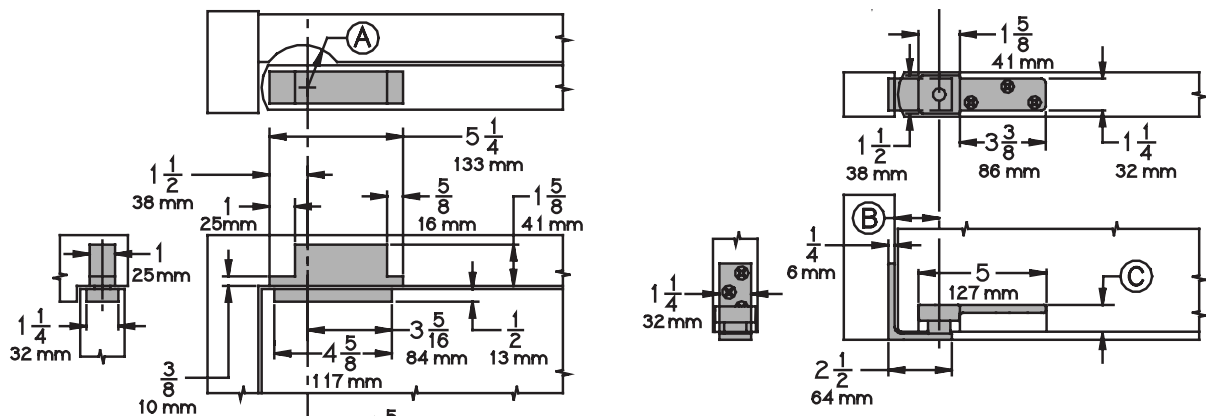
BHMA	Description	Substrate	Finish
605	Bright brass	Brass	US3
606	Satin brass	Brass	US4
612	Satin bronze	Brass	US10
613	Oil rubbed bronze	Brass	US10B
619	Satin nickel	Brass	US15
622	Matte black	Brass	BLK
625	Bright chrome	Brass	625
626	Satin chrome	Brass	626
-	Aged bronze	Brass	643e/716
689	Aluminum painted	Brass	SP28
691	Bronze painted	Brass	SP10
695	Dark bronze painted	Brass	SP313/US10BE
706	Brass painted	Brass	SP4

For other colors, consult factory.

Table D

Clearance depth of mortise

3/16" (5mm)	1 3/16" (30mm)
3/8" (10mm)	1" (25mm)
1/2" (13mm)	7/8" (22mm)
5/8" (16mm)	3/4" (19mm)
3/4" (19mm)	5/8" (16mm)



Hinges and pivots

Center hung pivots

7256

Center hung pivot, 600lb with bottom base mount

- Maximum door load 600 pounds
- Recommended for use with 1³/₄" minimum door thickness
- Not recommended for doors larger than 4'0" X 8'0"
- Easy installation, tilt on bearing and bearing pin
- Adjustable floor to door clearance ³/₁₆" to ³/₄", consult product support if greater than ³/₄"
- Vertical adjustment range ³/₁₆", with positive locking
- Non-handed
- 7256 Set (7256 Top and 7256 Btm)
- 7256 Top (7253-7255-7255J-7256 Top), header mount
- 7256 Btm (7256 Btm), base plate mount

Specifications

Material substrate	Made from cast brass
Certifications	Meets ANSI/BHMA A156.4 C07021
Dimensions	<ul style="list-style-type: none"> ▪ Radius stop (A) to clear heel of door edge. ▪ Pivot distance (B) 1³/₄" (44mm) minimum from jamb to centerline of pivot pin. Radius heel edge of door, 1⁵/₈" (41mm) minimum recommended. ▪ Clearance from bottom edge of door to floor mounting surface is adjustable from ³/₁₆" (5mm) to ³/₄" (19mm) by varying the depth of the mortise (C) in the bottom of the door, refer to Chart D. Consult product support when clearance is over ³/₄" (19mm).

7256 Finishes

BHMA	Description	Substrate	Finish
605	Bright brass	Brass	US3
606	Satin brass	Brass	US4
612	Satin bronze	Brass	US10
613	Oil rubbed bronze	Brass	US10B
619	Satin nickel	Brass	US15
622	Matte black	Brass	BLK
625	Bright chrome	Brass	625
626	Satin chrome	Brass	626
—	Aged bronze	Brass	643e/716
689	Aluminum painted	Brass	SP28
691	Bronze painted	Brass	SP10
695	Dark bronze painted	Brass	SP313/US10BE
706	Brass painted	Brass	SP4

For other colors, consult factory.

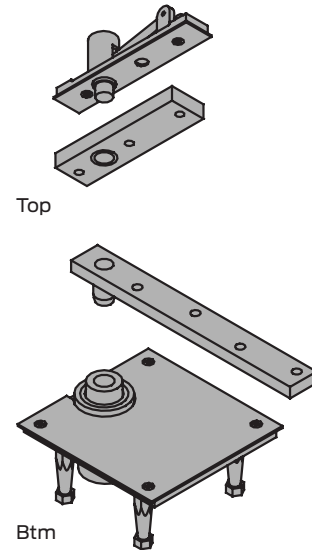
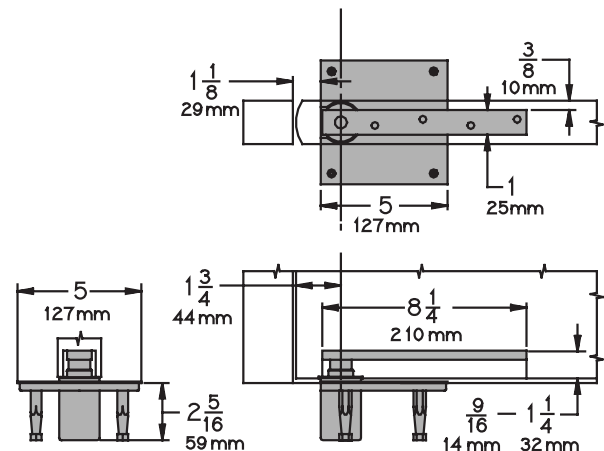
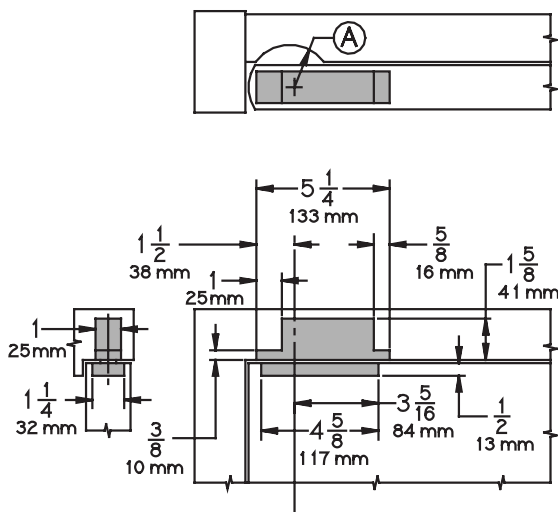


Table D

Clearance depth of mortise

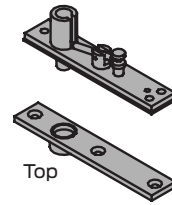
³ / ₁₆ " (5mm)	1 ³ / ₁₆ " (30mm)
³ / ₈ " (10mm)	1" (25mm)
¹ / ₂ " (13mm)	⁷ / ₈ " (22mm)
⁵ / ₈ " (16mm)	³ / ₄ " (19mm)
³ / ₄ " (19mm)	⁵ / ₈ " (16mm)



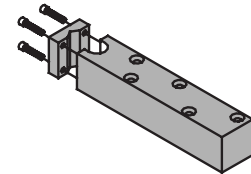
7259

Center hung pivot, 1000lb with bottom base mount

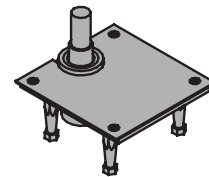
- Maximum door load 1000 pounds
- Recommended for use with 2" to 3" minimum door thickness, consult product support if doors are thicker than 3"
- Not recommended for doors larger than 4'0" X 8'0"
- Easy installation, tilt on bearing and bearing pin
- Adjustable floor to door clearance $\frac{3}{16}$ " to $\frac{3}{4}$ ", consult product support if greater than $\frac{3}{4}$ "
- Vertical adjustment range $\frac{3}{16}$ ", with positive locking
- Non-handed
- 7259 Set (7259 Top and 7259 Btm)
- 7259 Top (7259 Top) header mount
- 7259 Btm (7259 Btm), base frame mount



Top



Btm



Specifications

Material substrate	Made from cast brass
Certifications	Meets ANSI/BHMA A156.4 C07011
Dimensions	<ul style="list-style-type: none"> Radius stop (A) to clear heel of door edge. Pivot distance (B) $1\frac{3}{4}$" (44mm) minimum from jamb to centerline of pivot pin. Radius heel edge of door, $1\frac{5}{8}$" (41mm) minimum recommended. Clearance from bottom edge of door to floor mounting surface is adjustable from $\frac{3}{16}$" (5mm) to $\frac{3}{4}$" (19mm) by varying the depth of the mortise (C) in the bottom of the door, refer to Chart D. Consult product support when clearance is over $\frac{3}{4}$" (19mm).

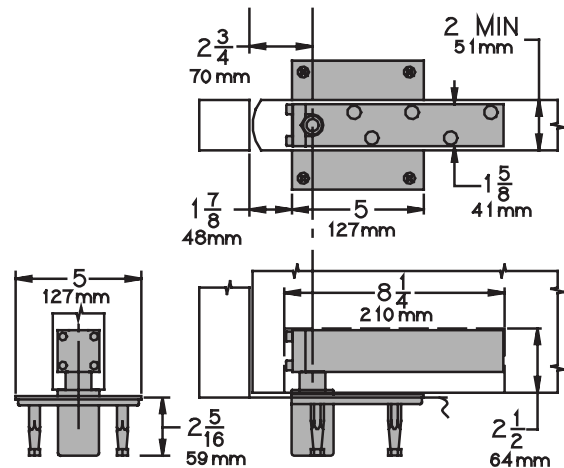
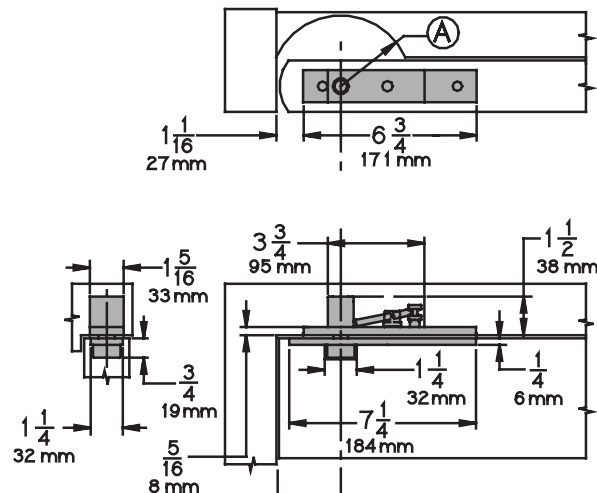
7259 Finishes

BHMA	Description	Substrate	Finish
605	Bright brass	Brass	US3
606	Satin brass	Brass	US4
612	Satin bronze	Brass	US10
613	Oil rubbed bronze	Brass	US10B
619	Satin nickel	Brass	US15
622	Matte black	Brass	BLK
625	Bright chrome	Brass	625
626	Satin chrome	Brass	626
-	Aged bronze	Brass	643e/716
689	Aluminum painted	Brass	SP28
691	Bronze painted	Brass	SP10
695	Dark bronze painted	Brass	SP313/US10BE
706	Brass painted	Brass	SP4

For other colors, consult factory.

Table D

Clearance depth of mortise	
$\frac{3}{16}$ " (5mm)	$1\frac{3}{16}$ " (30mm)
$\frac{3}{8}$ " (10mm)	1" (25mm)
$\frac{1}{2}$ " (13mm)	$\frac{7}{8}$ " (22mm)
$\frac{5}{8}$ " (16mm)	$\frac{3}{4}$ " (19mm)
$\frac{3}{4}$ " (19mm)	$\frac{5}{8}$ " (16mm)



Hinges and pivots

Pocket pivots

91105F

Pocket pivot/hinge, fire rated

- Maximum door load of 90 pounds per pivot
- Use three pivots for doors 7'0" tall and one every 2'6" for taller doors as needed
- Full mortise
- Recommended for use with 1³/₄" door thickness only
- Not recommended for doors larger than 4'0" X 8'0"
- Not recommended for wood frames (must be used with steel frames for fire rating)
- Allows door to open a full 90°
- Non-handed

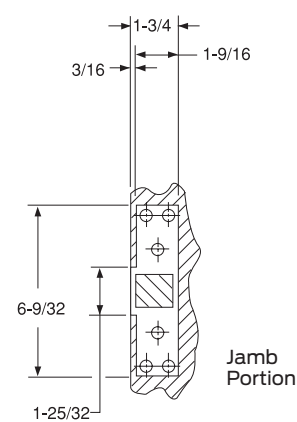
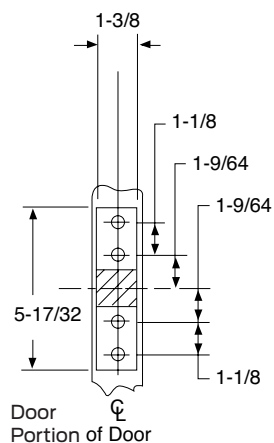
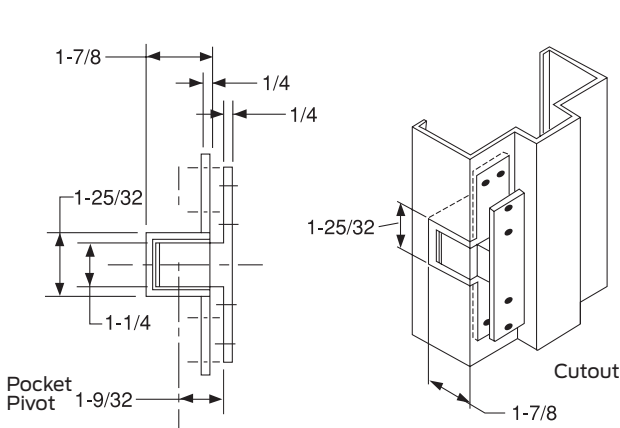
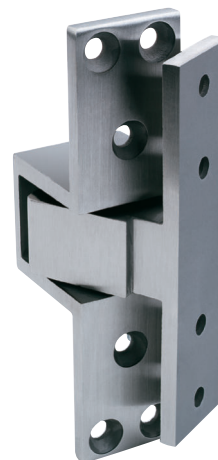
Specifications

Material substrate	Made from cast brass
Certifications	<ul style="list-style-type: none"> ▪ Meets ANSI/BHMA A156.4 C07611 ▪ UL 10C Listed (3 hour)

91105F Finishes

BHMA	Description	Substrate	Finish
600	Primer painted	Stainless steel	USP
629	Bright stainless	Stainless steel	US32
630	Satin stainless	Stainless steel	US32D
632	Bright brass	Stainless steel	US3
639	Satin bronze	Stainless steel	US10
640	Satin bronze	Stainless steel	US10
646	Satin nickel	Stainless steel	US15
—	Aged bronze	Stainless steel	643e/716
695	Dark bronze painted	Stainless steel	SP313/US10BE

For other colors, consult factory.



Hinges and pivots

Pocket pivots

E91105F

Pocket pivot/hinge, power transfer, fire rated

- Non-load bearing
- Available in 28 gauge TW4 or TW8 (for additional electrical wiring applications, consult product support)
- Rated 50 VDC or VAC @ 3.5 amps continuous or 16 amp pulse, maximum pulse 400 milliseconds
- Full mortise
- Recommended for use with 1³/₄" door thickness only
- Not recommended for doors larger than 4'0" X 8'0"
- Not recommended for wood frames
- Allows door to open a full 90°
- Non-handed
- Standard for Allegion Connect



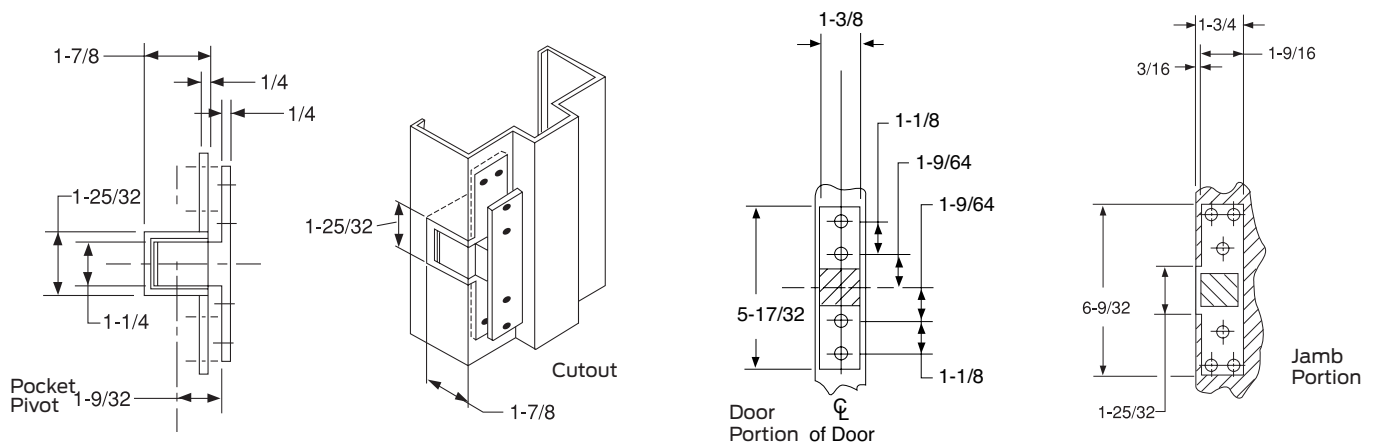
Specifications

Material substrate	Made from 304 series stainless steel
Certifications	<ul style="list-style-type: none"> ▪ Meets ANSI/BHMA A156.4 C07611 ▪ UL10C Listed (3 hour)

E91105F Finishes

BHMA	Description	Substrate	Finish
600	Primer painted	Stainless steel	USP
629	Bright stainless	Stainless steel	US32
630	Satin stainless	Stainless steel	US32D
632	Bright brass	Stainless steel	US3
639	Satin bronze	Stainless steel	US10
-	Aged bronze	Stainless steel	643e/716
695	Dark bronze painted	Stainless steel	SP313/US10BE

For other colors, consult factory.



Pulls, push bars and plates

When a door does not require latching hardware, door pulls, push bars, push and pull plates are often used. Ives offers various pulls, push bars, and push plates and protection plates to meet opening needs, no matter the door's design, size, type or location. Choose from architectural pulls, decorative pulls, hands-free pulls, long door pulls, vandal resistant trim, and more.



General information

ANSI/BHMA Certified

All Ives architectural pulls, push bars, decorative pulls, and long door pulls meet ANSI/BHMA 156.06.

ADA Compliant pulls (EZ)

All Ives ADA compliant pulls (reference local authority having jurisdiction) come with the EZ designation. These pulls all have a door to pull clearance of 2 1/2" or greater. All stainless steel EZ pulls come standard with 316 Series Stainless which make them highly recommended for all external applications.

Material

All architectural pulls, push bars and decorative pulls are made of heavy duty, solid bar stock or castings. All long door pulls are made from tubular stock. Available material substrates are below. See pull model detailed pages for material availability.

Stainless steel	304 Series
Stainless steel	316 Series (Standard for all EZ pulls, EZ push/pull combo, and long door pulls. Available on 9100 series push bars as well.)
Brass	-
Aluminum	6061-T6 Alloy

Care and maintenance for stainless steel finishes

Stainless steel requires periodic cleaning just as other materials do when in service. Stainless architectural building components, for instance, are subject to road salt spray at ground level and deposits from polluted urban air at higher levels. Finger marks, deposits from tobacco smoke, stains from hard water or food left on to dry all detract from the original attractive appearance of stainless steel applications.

Cleaning methods and the frequency with which there are employed vary considerably according to application. One of the outstanding features

of stainless steel is the ease with which its fine appearance can be maintained. In many instances, only periodic warm water wash is sufficient to restore the original shine. In other cases, cleansing with a strong sterilizing solution may be required more frequently. Between these extremes are a broad range of cleaning requirements and methods. In all cases, there are some important “do’s and don’ts” that should be followed.

Do

- Wash regularly with warm water and mild soap detergent using a clean cloth or soft brush
- Remove stubborn grime using recommended cleaners and methods
- Always clean in the direction of the original polish lines
- Always rinse after cleaning and wipe dry

Don’t

- Don’t use ordinary steel wool or other metal scrapers to remove stubborn dirt
- Don’t allow dirt to accumulate
- Don’t allow protective coatings to remain on new building components; Remove all traces of adhesive as well as plaster, terrazzo, paint and other construction “splashes”
- Don’t use harsh, untested cleaners

Heavy duty

All Ives architectural pulls, push bars and long door pulls come standard with heavy duty (HD) machining and mounting hardware to withstand high traffic and abuse applications which exceed industry standards. Many decorative pulls also come standard with heavy duty machining and hardware. Please see the list of pulls that come standard with heavy duty mounting hardware.

Pulls, push bars and plates

Architectural, decorative, long door pulls, push bars and plates

General information

Architectural

Model	Heavy duty machining
8102HD	5/16-18
8103HD	3/8-16
8103EZHD	3/8-16
8122HD	3/8-16
8145EZHD	3/8-16
8190HD	3/8-16
8190EZHD	3/8-16
8322HD	3/8-16
9100HD	3/8-16
9103EZHD	3/8-16
9145EZHD	3/8-16
9190HD	3/8-16
9190EZHD	3/8-16

Decorative

Model	Heavy duty machining
8169	3/8-16
8181	3/8-16
8281	3/8-16
8189	3/8-16
8312	3/8-16
8320	3/8-16
8371	3/8-16
8372	5/16-18
8373	5/16-18
8700	5/16-18
8800	5/16-18
8848	3/8-16
8975	3/8-16

Long door pull

Model	Heavy duty machining
9264	3/8-16
9266	3/8-16

Pulls sizes - center to center

Pull sizes are determined by the center to center distance between the mounting locations. Ex. A 12" pull has 12" between the mounting locations. The overall pull length will be longer. See pull model detailed pages for specific size information. The table below shows standard available sizes for pulls.

5	5 1/4" (8111 and 8112 pulls only), 5 3/4" (8121)
6	6" (8102HD and 8105 only)
8	8" (8102HD, 8103HD, 8103EZHD, 8105, 8122HD, 8145EZHD, 8190HD, 8190EZHD, 8322HD only)
9	9" (8700 and 8800 only)
0	10" (8102HD, 8103HD, 8103EZHD, 8105, 8122HD, 8145EZHD, 8169, 8190HD, 8190EZHD, 8322HD only)
2	12" (8103HD, 8103EZHD, 8145EZHD, 8169, 8181, 8190HD, 8190EZHD, 8281, 8312, 8371, 8372, 8373, 8700, 8800, 8848, 8975 only)
16	16" (8181 and 8281 only)
18	18" (8103EZHD, 8145EZHD, 8181, 8190HD, 8190EZHD, 8281, 8371, 8372, 8373, 8700, 8800 only)
19	19 3/16" (8189 only)
20	20" (8320 only)
24	24" (8371, 8372, 8373, 8700, 8800 only)

Custom lengths are available as engineering special, consult customer service.

Finishes

BHMA	Description	Substrate	US
605	Bright Brass	Brass	US3
606	Satin Brass	Brass	US4
612	Satin Bronze	Brass	US10
613	Oil Rubbed Bronze	Brass	US10B
619	Satin Nickle	Brass or stainless steel	US15
625	Bright Chrome	Brass	US26
626	Satin Chrome	Brass	US26D
626-AM ¹	Satin Chrome - Antimicrobial	Brass	US26D-AM
628	Satin Aluminum	Aluminum	US28
629	Buff Stainless	Stainless steel	US32D
629-316	Buff Stainless - 316 Substrate	Stainless steel -316	US32D-316
630	Satin Stainless Steel	Stainless steel	US32D
630-316	Satin Stainless - 316 Substrate	Stainless steel -316	US32D-316
630-AM ²	Satin Stainless - Antimicrobial	Stainless steel	US32D-AM
695	Dark Bronze Paint	Stainless steel	SP313/US10BE
-	Aged Bronze	Stainless steel	643e/716
-	Matte Black	Stainless steel	BLK

1. AM - Antimicrobial finish. The antimicrobial coating is specifically formulated to inhibit the growth of bacteria by interrupting cell multiplication. The result is that the silver ions surround bacterial cells, blocking food and slowing the growth of bacteria, mold and mildew. Product with antimicrobial finishes will maintain the products standard warranty for finishes. High traffic, public use areas are ideally suited to antimicrobial coated door hardware. With hundreds or thousands of people accessing these areas every day, safety should be top of mind. Adding door hardware with an antimicrobial coating can make a difference by inhibiting the growth of bacteria on these high-tough surfaces. Applications where antimicrobial coated hardware makes sense include: healthcare, education, government, food service and childcare restrooms.
2. Recommend using 630-AM Antimicrobial for highly corrosive environmental applications

Custom finishes are available as engineering special, consult customer service.

Door thickness

- All Ives architectural pulls, push bars, decorative pulls, and long door pulls come standard with mounting hardware for door thickness ranging from 1 1/2" to 1 3/4". Many pulls have optional mounting hardware for 2" and 2 1/4" thick doors or are available as separate part accessories. See detailed pull model pages for availability.
- Mounting hardware for other door thicknesses are available as engineering special, consult customer service.

Pulls, push bars and plates

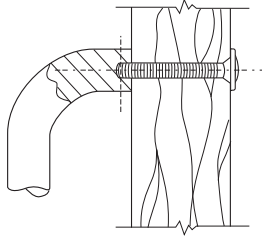
Architectural, decorative, long door pulls, push bars and plates

Mounting hardware

Mounting sizes

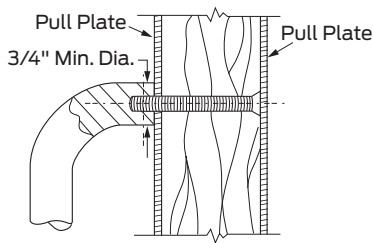
- All mounting hardware is for standard 1 3/4" door.
- Optional mounting hardware for 2" and 2 1/4" doors for many pulls. See pull detail for availability.
- Other mounting hardware sizes available as engineering special. Consult Customer Service.

Through bolt mounts



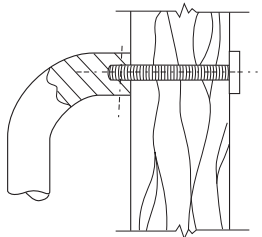
STD mount - Standard mount

- Through bolt mount with countersunk washers
- Hollow metal and wood door applications
- (2) 3/8-16 x 2 1/4" brass, flathead mounting screws, plated to match
- (2) 3/8-16 Countersunk washers, plated to match



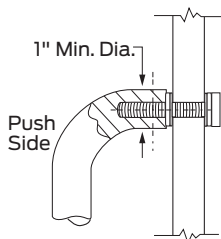
F mount - Countersunk holes

- Used with countersunk holes in doors
- Wood door applications
- (2) 2 1/4" steel flathead mounting screws, plated to match



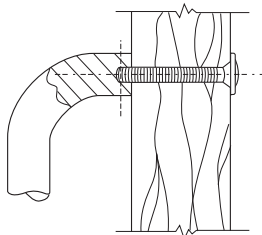
O mount - Decorative

- Decorative through bolt mount
- Hollow metal and wood door applications
- (2) 3/8-16 x 2 1/4" Decorative mounting bolts - machine screw, plated to match



Q mount - Decorative, glass doors

- Decorative through bolt mount
- Glass door applications
- (2) Decorative mounting bolts - machine screw, plated to match
- (2) Metal and vinyl washers



X mount - Security

- Security through bolt mount with countersunk washers
- Hollow metal and wood door applications
- (2) Flathead security pin in socket mounting screws, plated to match
- (2) Countersunk washers, plated to match

Pulls, push bars and plates

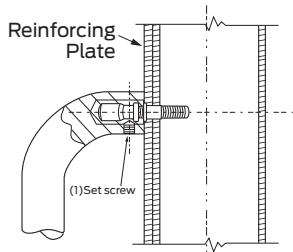
Architectural, decorative, long door pulls, push bars and plates

Mounting hardware

Mounting sizes

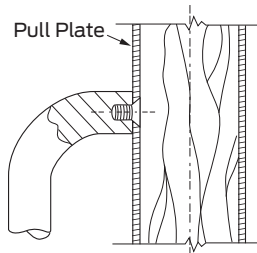
- All mounting hardware is for standard 1³/₄" door.
- Optional mounting hardware for 2" and 2¹/₄" doors for many pulls. See pull detail for availability.
- Other mounting hardware sizes available as engineering special. Consult Customer Service.

Concealed mounts



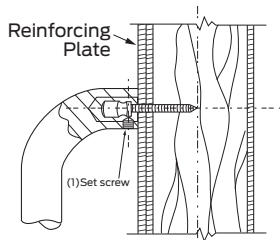
A mount - Aluminum doors

- Concealed mount
- Aluminum door applications
- (2) Mounting bolts - machine screw
- (2) Set screws
- Designed to be used with rivet nuts (not supplied)



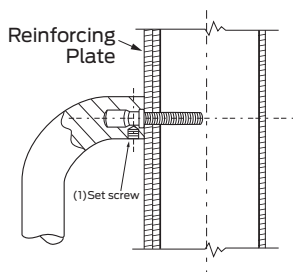
G mount - Pull plate

- Concealed mount with pull plate
- Hollow metal and wood door applications
- Pull mounts directly onto plate; plate is attached to door
- (2) 3/8" - 16 x 5/8" steel flathead mounting screws



I mount - Wood doors

- Concealed mount
- Wood door applications
- (2) Mounting bolts - wood screw
- (2) Set screws



L mount - Hollow metal doors

- Concealed mount
- Hollow metal door applications
- (2) Mounting bolts - machine screw
- (2) Set screws

Pulls, push bars and plates

Architectural, decorative, long door pulls, push bars and plates

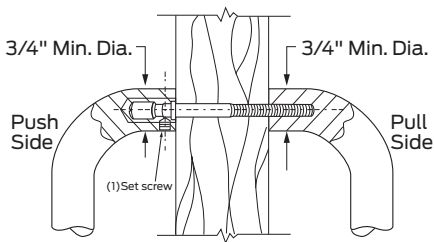
Mounting hardware

Mounting sizes

- All mounting hardware is for standard 1 3/4" door
- Optional mounting hardware for 2" and 2 1/4" doors for many pulls (see pull detail for availability)
- Other mounting hardware sizes available as engineering special (consult Customer Service)

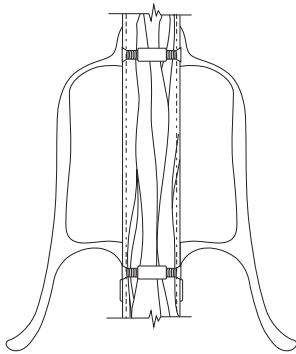
Back to back pull mounts

Specify the below back to back mounting options to receive a pair of the model specified (2).



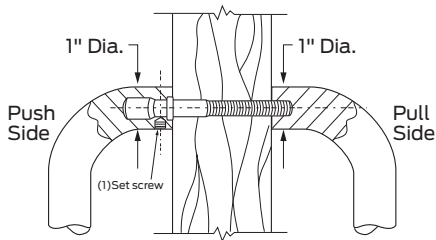
J mount - 8102 Pull only

- Back to back mounting - 5/16-18 hardware
- Hollow metal and wood door applications
- (2) Mounting bolts - machine screw
- (2) Set screws



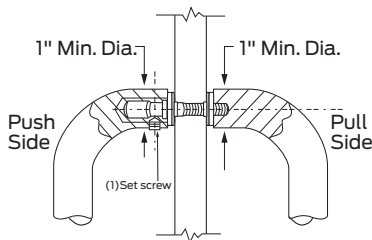
K mount - 8121 Pull only

- Back to back mounting - 8-32 hardware
- Hollow metal and wood door applications
- (8) Machine screws
- (4) Mounting sleeves



N mount

- Back to back mounting - 3/8-16 hardware
- Hollow metal and wood door applications
- (2) Mounting bolts - machine screw
- (2) Set screws



P mount - Glass doors

- Back to back mounting - 3/8-16 hardware
- Glass door applications
- (2) Mounting bolts - machine screw
- (2) Set screws
- (2) Metal and vinyl washers

Pulls, push bars and plates

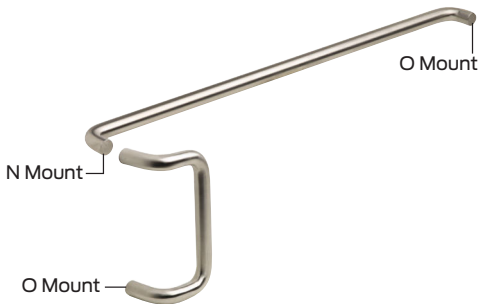
Architectural, decorative, long door pulls, push bars and plates

Mounting hardware

Mounting sizes

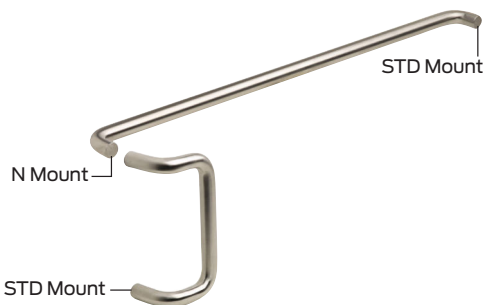
- All mounting hardware is for standard 1³/₄" door
- Optional mounting hardware for 2" and 2¹/₄" doors for many pulls (see pull detail for availability)
- Other mounting hardware sizes available as engineering special (consult Customer Service)

Push/pull combo mounts



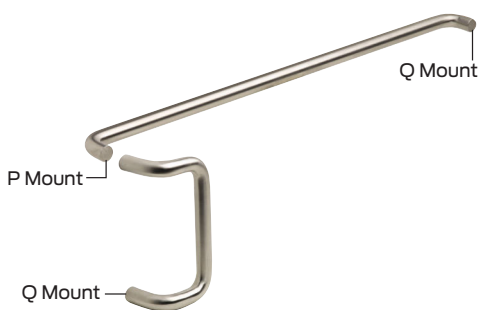
NO Mount - Decorative

- Back to back mounting - 3/8-16 hardware (N) and Decorative through bolt (O)
 - Hollow metal and wood door applications
- Pushbar to pull
 - (1) Mounting bolt - machine screw
 - (1) Set screw
- Free end pushbar and pull
 - (2) Decorative mounting bolts - machine screw, plated to match



NS Mount - Standard

- Back to back mounting - 3/8-16 hardware (N) and Standard through bolt
- Hollow metal and wood door applications
- Pushbar to Pull
 - (1) Mounting bolt - machine screw
 - (1) Set screw
- Free end pushbar and pull
 - (2) Flathead mounting screws, plated to match
 - (2) Countersunk washers, plated to match



PQ Mount - Decorative, glass doors

- Back to back mounting - 3/8-16 hardware (P) and Decorative through bolt (Q)
 - Glass door applications
- Pushbar to pull
 - (1) Mounting bolt - machine screw
 - (1) Set screw
 - (1) Metal and vinyl washers
- Free end pushbar and pull
 - (2) Decorative mounting bolts - machine screw, plated to match
 - (2) Metal and vinyl washers

Pulls, push bars and plates

Architectural, decorative, long door pulls, push bars and plates

How to order

Architectural pulls and push bars

Single/pair	Model	Center to center	Finish	Mounting hardware	Door thickness					
1	2	3	4	5	6					
PR	-	8190EZHD	-	8	-	US32D	-	N	-	1 3/4"

Detail

1 Single/pair

"Blank"	Single pull machined with standard threads
PR	Pair of pulls - One pull machined with standard threads and one pull machined for back to back mounting
JSGL	Single pull machined for back to back mounting (8102 only)
NSGL	Single pull machined for back to back mounting
PSGL	Single pull machined for back to back mounting (glass doors)

2 Model

8102HD	Straight pull - 3/4" round
8103HD	Straight pull - 1" round
8103EZHD	Straight pull - 1" round, ADA compliant
8105	Straight pull - 1" flattened
8145EZHD	45° Offset pull - 1" round, ADA compliant
8190HD	90° Offset pull - 1" round
8190EZHD	90° Offset pull - 1" round, ADA compliant
8111	Straight pull
8112	Straight, solid pull - surface mount
8121	Straight, solid pull - surface mount hands-free
8122HD	Hands-free reversible arm pull, ADA compliant
8169	Offset Tubular pull
8181	Offset Georgian pull
8189	Straight Athens pull
8281	Straight Georgian pull
8312	Offset Plymouth pull
8320	Offset Plymouth pull
8322HD	Hands-free reversible arm pull with plate, ADA compliant
8371	Straight Addison pull
8372	Straight Camelot pull
8373	Straight Brookshire pull
8700	Straight Greenwich pull
8800	Offset Greenwich pull
8848	Straight Latitude pull
8975	Straight Rhodes pull

3 Center to center

5	5 1/4" (8111), 5 5/8" (8112), 5 3/4" (8121)
6	6" (8102HD and 8105 only)
8	8" (8102HD, 8103HD, 8103EZHD, 8105, 8122HD, 8145EZHD, 8190HD, 8190EZHD, 8322HD only)
9	9" (8700 and 8800 Only)
10	10" (8102HD, 8103HD, 8103EZHD, 8105, 8122HD, 8145EZHD, 8169, 8190HD, 8190EZHD, 8322HD only)
12	12" (8103HD, 8103EZHD, 8145EZHD, 8169, 8181, 8190HD, 8190EZHD, 8281, 8312, 8371, 8372, 8373, 8700, 8800, 8848, 8975 only)
16	16" (8181 and 8281 only)
18	18" (8103EZHD, 8145EZHD, 8181, 8190HD, 8190EZHD, 8281, 8371, 8372, 8373, 8700, 8800 only)
19	19" (8189 only)
20	20" (8320 only)
24	24" (8371, 8372, 8373, 8700, 8800 only)

4 Finish

BHMA	Description	Finish
605	Bright Brass	US3
606	Satin Brass	US4
612	Satin Bronze	US10
613	Oil Rubbed Bronze	US10B
619	Satin Nickel	US15
625	Bright Chrome	US26
626	Satin Chrome	US26D
626-AM	Satin Chrome-Antimicrobial	US26D-AM
628	Satin Aluminum, Clear Anodized	US28
629	Bright Stainless	US32
629-316	Bright Stainless - 316 substrate	US32-316
630	Satin Stainless	US32D
630-316	Satin Stainless - 316 substrate	US32D-316
630-AM	Satin Stainless-Antimicrobial	US32D-AM
643e/716	Aged Bronze	-
695	Dark Bronze Painted	SP313/US10BE
BLK	Matte Black	-

5 Mounting hardware

STD	Through bolt with decorative washer
A	Concealed mount - aluminum doors
F	Through bolt with countersunk hole
G	Concealed mount with pull plates
I	Concealed mount - wood doors
J	Back to back mount
K	Back to back mount (8121 only)
L	Concealed mount - hollow metal doors
N	Back to back mount
O	Decorative through bolt
P	Back to back mount - glass doors
Q	Decorative through bolt - glass doors
X	Through bolt - security screw and decorative washer

6 Door thickness

1 3/4"	Standard
2"	Optional
2 1/4"	Optional

Pulls, push bars and plates

Architectural, decorative, long door pulls, push bars and plates

How to order

Long door pulls

Single/pair	Model	Length	Center to center	Finish	Mounting hardware	Door thickness
1	2	3	4	5	6	7
PR	- 9264F	- 72	- 56	- US32D	- P	- 1/2"

Detail

1 Single/pair

"Blank"	Single pull machined with standard threads
PR	Pair of pulls - One pull machined with standard threads and one pull machined for back to back mounting
NSGL	Single pull machined for back to back mounting
QSGL	Single pull machined for back to back mounting (glass doors)

2 Model

9264	Offset long door pull, rounded tips
9264F	Offset long door pull, flat tips
9266	Straight long door pull, rounded tips
9266F	Straight long door pull, flat tips

3 Length

12	12"
18	18"
24	24"
36	36"
72	72"

4 Center to center

8	8"
12	12"
18	18"
20	20"
56	56"

5 Finish

BHMA	Description	Finish
605	Bright Brass	US3
606	Satin Brass	US4
613	Oil Rubbed Bronze	US10B
619	Satin Nickel	US15
629-316	Bright Stainless - 316 substrate	US32-316
630-316	Satin Stainless - 316 substrate	US32D-316
643e/716	Aged Bronze	-
695	Dark Bronze Painted	SP313/US10BE
BLK	Matte Black	-

6 Mounting hardware

STD	Through bolt with decorative washer
A	Concealed mount - aluminum doors
I	Concealed mount - wood doors
L	Concealed mount - hollow metal doors
N	Back to back mount
O	Decorative through bolt
P	Back to back mount - glass doors
Q	Decorative through bolt - glass doors
X	Through bolt - security screw and decorative washer
MB	Additional mounting bracket (centered)

7 Door thickness

1 3/4"	Standard
2"	Optional
2 1/4"	Optional

Pulls, push bars and plates

Architectural, decorative, long door pulls, push bars and plates

How to order

Push, pull and protection plates

Single/pair	Model	Center to center	Finish	Plate W x H	Mounting hardware	Door thickness
1	2	3	4	5	6	7
PR	- 8303	- 8	- US32D	- 4 x 16	- N	- 1 3/4"

Detail

1 Single/pair

"Blank"	Single pull machined with standard threads
PR	Pair of pulls - One pull machined with standard threads and one pull machined for back to back mounting
NSGL	Single pull machined for back to back mounting

2 Model

8200	Push plate
8300	Pull plate (less pull)
8302	Pull plate (with 8102 pull)
8303	Pull plate (with 8103 pull)
8305	Pull plate (with 8105 pull)
8311	Pull plate (with 8111 pull)

4 Pull to center

5	5 1/4" (8111 only)
6	6" (8102HD and 8105 only)
8	8" (8102HD, 8103HD, 8105 only)
0	10" (8102HD, 8103HD, 8105 only)
2	12" (8103HD only)

5 Finish

BHMA	Description	Finish
605	Bright Brass	US3
606	Satin Brass	US4
612	Satin Bronze	US10
613	Oil Rubbed Bronze	US10B
619	Satin Nickel	US15
625	Bright Chrome	US26
626	Satin Chrome	US26D
626-AM	Satin Chrome - Antimicrobial	US260-AM
628	Satin Aluminum, Clear Anodized	US28
629	Bright Stainless	US32D
630	Satin Stainless	US32D
630-AM	Satin Stainless - Antimicrobial	US32D-AM
643e/716	Aged Bronze	-
695	Dark Bronze Powder Coat	SP313/US10BE
BLK	Matte Black	-

3 Length

3X12	3" wide x 12" high
3.5X15	3 1/2" wide x 15" high
4X16	4" wide x 16" high
6X16	6" wide x 16" high
8X16	8" wide x 16" high

6 Mounting hardware

STD	Through bolt with decorative washer
A	Concealed mount - aluminum doors
F	Through bolt with countersunk hole
G	Concealed mount with pull plates
I	Concealed mount - wood doors
J	Back to back mount (8102 only)
L	Concealed mount - hollow metal doors
N	Back to back mount

7 Door thickness

1 3/4"	Standard
2"	Optional
2 1/4"	Optional

Pulls, push bars and plates

Architectural pulls and push bars

8102HD

Solid door pull - 3/4" round

Specifications

Available sizes	6", 8", 10"
Material substrate	Made from solid aluminum (6061-T6 Alloy), brass or stainless steel (304 Series)
Mounting hardware	<ul style="list-style-type: none"> Heavy duty mounting hardware exceeds industry standards ⁵/₁₆-18 mounting hardware Specify door thickness <ul style="list-style-type: none"> Standard mounting hardware for door thickness of 1 1/2" to 1 3/4" unless otherwise specified Optional package available for 2" and 2 1/4" thick doors Comes standard with through bolt screws and decorative washers (STD - mount) Optional mounting hardware available (see general information section for details) F, G, I, J, L Mounting hardware for other door thicknesses are available as engineering special, consult customer service
Certifications	Meets ANSI/BHMA 156.06

Dimensions

Product number	Projection "A"	Clearance	Center to center "B"	Overall length "C"
8102HD-6	2 1/4"	1 1/2"	6"	6 3/4"
8102HD-8	2 1/4"	1 1/2"	8"	8 3/4"
8102HD-0	2 1/4"	1 1/2"	10"	10 3/4"

Finishes

BHMA	Description	Substrate	Finish
605	Bright Brass	Brass	US3
606	Satin Brass	Brass	US4
612	Satin Bronze	Brass	US10
613	Oil Rubbed Bronze	Brass	US10B
619	Satin Nickel	Stainless Steel	US15
625	Bright Chrome	Brass	US26
626	Satin Chrome	Brass	US26D
626-AM	Satin Chrome Antimicrobial	Brass	US26D-AM
628	Satin Aluminum, Clear Anodized	Aluminum	US28
629	Bright Stainless	Stainless steel	US32
630	Satin Stainless	Stainless steel	US32D
630-AM	Satin Stainless Antimicrobial	Stainless steel	US32D-AM
631	Matte Black	Stainless steel	BLK
643e/716	Aged Bronze	Stainless steel	643e/716
695	Dark Bronze Powder Coat	Stainless steel	SP313/US10BE

Note: For other colors, consult factory.

Additional information

- Specify PR when ordering a set of pulls for back to back mounting
- For one back to back machined pull, specify JSGL
- Custom lengths are available as engineering special, consult customer service

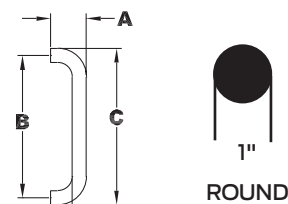


8103HD

Solid door pull - 1" round

Specifications

Available sizes	8", 10", 12"
Material substrate	Made from solid aluminum (6061-T6 Alloy), brass or stainless steel (304 Series)
Mounting hardware	<ul style="list-style-type: none"> ▪ Heavy duty mounting hardware exceeds industry standards ▪ 3/8-16 mounting hardware ▪ Specify door thickness <ul style="list-style-type: none"> - Standard mounting hardware for door thickness of 1 1/2" to 1 3/4" unless otherwise specified - Optional package available for 2" and 2 1/4" thick doors ▪ Comes standard with through bolt screws and decorative washers (STD - mount) ▪ Optional mounting hardware available (see general information section for details) A, F, G, I, L, N, O, P, Q, X ▪ Mounting hardware for other door thicknesses are available as engineering special, consult customer service
Certifications	Meets ANSI/BHMA 156.06



Dimensions

Product number	Projection "A"	Clearance	Center to center "B"	Overall length "C"	Offset "D"
8103HD-8	2 1/2"	1 1/2"	8"	9"	4 1/4"
8103HD-0	2 1/2"	1 1/2"	10"	11"	4 1/4"
8103HD-2	2 1/2"	1 1/2"	12"	13"	4 1/4"

Finishes

BHMA	Description	Substrate	Finish
605	Bright Brass	Brass	US3
606	Satin Brass	Brass	US4
612	Satin Bronze	Brass	US10
613	Oil Rubbed Bronze	Brass	US10B
619	Satin Nickel	Stainless Steel	US15
625	Bright Chrome	Brass	US26
626	Satin Chrome	Brass	US26D
626-AM	Satin Chrome Antimicrobial	Brass	US26D-AM
628	Satin Aluminum, Clear Anodized	Aluminum	US28
629	Bright Stainless	Stainless steel	US32
630	Satin Stainless	Stainless steel	US32D
630-AM	Satin Stainless Antimicrobial	Stainless steel	US32D-AM
631	Matte Black	Stainless steel	BLK
643e/716	Aged Bronze	Stainless steel	643e/716
695	Dark Bronze Powder Coat	Stainless steel	SP313/US10BE

Note: For other colors, consult factory.

Additional information

- Specify PR when ordering a set of pulls for back to back mounting
- For one back to back machined pull, specify NSGL or PSGL (glass doors)
- Custom lengths are available as engineering special, consult customer service

Pulls, push bars and plates

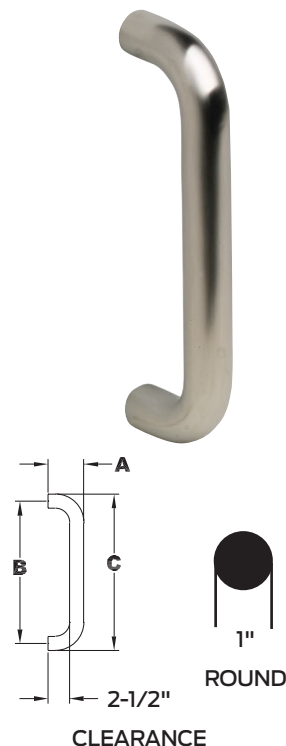
Architectural pulls and push bars

8103EZHD

Solid door pull - 1" round, large 2 1/2" clearance for the accessibility applications

Specifications

Available sizes	8", 10", 12"
Material substrate	<ul style="list-style-type: none"> Made from solid aluminum (6061-T6 Alloy), brass, or stainless steel (316 Series) 316 Series stainless steel standard, exceeding industry standards for corrosion resistance Recommended for external applications
Mounting hardware	<ul style="list-style-type: none"> Heavy duty mounting hardware exceeds industry standards 3/8-16 mounting hardware Specify door thickness <ul style="list-style-type: none"> Standard mounting hardware for door thickness of 1 1/2" to 1 3/4" unless otherwise specified Optional package available for 2" and 2 1/4" thick doors. Comes standard with through bolt screws and decorative washers (STD - mount) Optional mounting hardware available (see general information section for details) A, F, I, L, N, O, P, Q, X Mounting hardware for other door thicknesses are available as engineering special, consult customer service
Certifications	<ul style="list-style-type: none"> Meets ANSI/BHMA 156.06 Complies with ADA and barrier free applications



Dimensions

Product number	Projection "A"	Clearance	Center to center "B"	Overall length "C"
8103EZHD-8	3 1/2"	2 1/2"	8"	9"
8103EZHD-0	3 1/2"	2 1/2"	10"	11"
8103EZHD-2	3 1/2"	2 1/2"	12"	13"

Finishes

BHMA	Description	Substrate	Finish
605	Bright Brass	Brass	US3
606	Satin Brass	Brass	US4
612	Satin Bronze	Brass	US10
613	Oil Rubbed Bronze	Brass	US10B
619	Satin Nickel	Stainless Steel	US15
625	Bright Chrome	Brass	US26
626	Satin Chrome	Brass	US26D
626-AM	Satin Chrome Antimicrobial	Brass	US26D-AM
628	Satin Aluminum, Clear Anodized	Aluminum	US28
629-316	Bright Stainless	Stainless steel	32-316
630-316	Satin Stainless	Stainless steel	32D-316
630-AM	Satin Stainless Antimicrobial	Stainless steel	US32D-AM
631	Matte Black	Stainless steel	BLK
643e/716	Aged Bronze	Stainless steel	643e/716
695	Dark Bronze Powder Coat	Stainless steel	SP313/US10BE

Note: For other colors, consult factory.

Additional information

- Specify PR when ordering a set of pulls for back to back mounting
- For one back to back machined pull, specify NSGL or PSG (glass doors)
- Custom lengths are available as engineering special, consult customer service

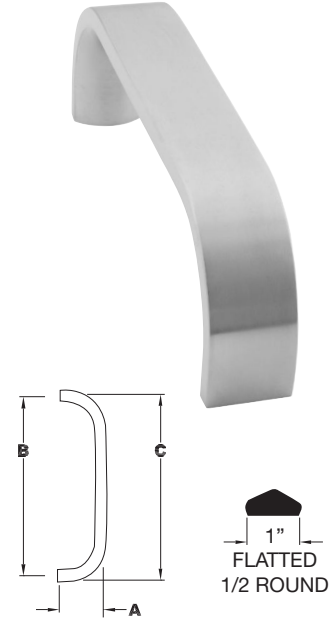
Pulls, push bars and plates
Architectural pulls and push bars

8105

Solid door pull - 1" flattened

Specifications

Available sizes	8", 10", 12"
Material substrate	Made from solid aluminum (6061-T6 Alloy), brass, or stainless steel (304 Series)
Mounting hardware	<ul style="list-style-type: none"> ▪ 1/4"-20 mounting hardware ▪ Specify door thickness <ul style="list-style-type: none"> - Standard mounting hardware for door thickness of 1 1/2" to 1 3/4" unless otherwise specified - Optional package available for 2" and 2 1/4" thick doors ▪ Comes standard with through bolt screws and decorative washers (STD - mount) ▪ Optional mounting hardware available (see general information section for details) F ▪ Mounting hardware for other door thicknesses are available as engineering special, consult customer service
Certifications	Meets ANSI/BHMA 156.06



Dimensions

Product number	Projection "A"	Clearance	Center to center "B"	Overall length "C"
8105-6	2"	1 1/2"	6"	6 1/2"
8105-8	2"	1 1/2"	8"	8 1/2"
8105-0	2"	1 1/2"	10"	10 1/2"

Finishes

BHMA	Description	Substrate	Finish
605	Bright Brass	Brass	US3
606	Satin Brass	Brass	US4
612	Satin Bronze	Brass	US10
613	Oil Rubbed Bronze	Brass	US10B
619	Satin Nickel	Stainless steel	US15
625	Bright Chrome	Brass	US26
626	Satin Chrome	Brass	US26D
626-AM	Satin Chrome Antimicrobial	Brass	US26D-AM
628	Satin Aluminum, Clear Anodized	Aluminum	US28
629	Bright Stainless	Stainless steel	US32
630	Satin Stainless	Stainless steel	US32D
630-AM	Satin Stainless Antimicrobial	Stainless steel	US32D-AM
631	Matte Black	Stainless steel	BLK
695	Dark Bronze Powder Coat	Stainless steel	SP313/US10BE

Note: For other colors, consult factory.

Additional information

Custom lengths are available as engineering special, consult customer service.

Introduction
Table of contents
Hinges and pivots
Pulls, push bars and plates
Flush bolts, strikes and coordinators
Latches, catches and bolts
Door stops, holders and silencers
Exterior hardware
Miscellaneous hardware

Pulls, push bars and plates

Architectural pulls and push bars

8145EZHD

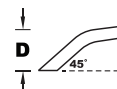
45° Offset solid door pull

Specifications

Available sizes	8", 10", 12", 18"
Material substrate	<ul style="list-style-type: none"> Made from solid aluminum (6061-T6 Alloy), brass, or stainless steel (316 Series) 316 Series stainless steel standard, exceeding industry standards for corrosion resistance Recommended for external applications
Mounting hardware	<ul style="list-style-type: none"> Heavy duty mounting hardware exceeds industry standards $\frac{3}{8}$-16 mounting hardware Specify door thickness <ul style="list-style-type: none"> Standard mounting hardware for door thickness of 1 $\frac{1}{2}$" to 1 $\frac{3}{4}$" unless otherwise specified Optional package available for 2" and 2 $\frac{1}{4}$" thick doors Comes standard with through bolt screws and decorative washers (STD - mount) Optional mounting hardware available (see general information section for details) A, F, I, L, N, O, P, Q, X Mounting hardware for other door thicknesses are available as engineering special, consult customer service
Certifications	<ul style="list-style-type: none"> Meets ANSI/BHMA 156.06 Complies with ADA and barrier free applications



ROUND



Dimensions

Product number	Projection "A"	Clearance	Center to center "B"	Overall length "C"	Offset "D"
8145EZHD-8	3 $\frac{1}{2}$ "	2 $\frac{1}{2}$ "	8"	9"	2 $\frac{1}{2}$ "
8145EZHD-0	3 $\frac{1}{2}$ "	2 $\frac{1}{2}$ "	10"	11"	2 $\frac{1}{2}$ "
8145EZHD-2	3 $\frac{1}{2}$ "	2 $\frac{1}{2}$ "	12"	13"	2 $\frac{1}{2}$ "
8145EZHD-18	3 $\frac{1}{2}$ "	2 $\frac{1}{2}$ "	18"	19"	2 $\frac{1}{2}$ "

Finishes

BHMA	Description	Substrate	Finish
605	Bright Brass	Brass	US3
606	Satin Brass	Brass	US4
612	Satin Bronze	Brass	US10
613	Oil Rubbed Bronze	Brass	US10B
619	Satin Nickel	Stainless steel	US15
625	Bright Chrome	Brass	US26
626	Satin Chrome	Brass	US26D
626-AM	Satin Chrome Antimicrobial	Brass	US26D-AM
629-316	Bright Stainless	Stainless steel	32-316
630-316	Satin Stainless	Stainless steel	32D-316
630-AM	Satin Stainless Antimicrobial	Stainless steel	US32D-AM
631	Matte Black	Stainless steel	BLK
643e/716	Aged Bronze	Stainless steel	643e/716
695	Dark Bronze Powder Coat	Stainless steel	SP313/US10BE

Note: For other colors, consult factory.

Additional information

- Specify PR when ordering a set of pulls for back to back mounting
- For one back to back machined pull, specify NSGL or PSG (glass doors)
- Custom lengths are available as engineering special, consult customer service

8190HD

90° Offset solid door pull

Specifications

Available sizes	8", 10", 12", 18"
Material substrate	Made from solid aluminum (6061-T6 Alloy), brass, or stainless steel (316 Series)
Mounting hardware	<ul style="list-style-type: none"> ▪ Heavy duty mounting hardware exceeds industry standards ▪ 3/8-16 mounting hardware ▪ Specify door thickness. <ul style="list-style-type: none"> - Standard mounting hardware for door thickness of 1 1/2" to 1 3/4" unless otherwise specified - Optional package available for 2" and 2 1/4" thick doors ▪ Comes standard with through bolt screws and decorative washers (STD - mount) ▪ Optional mounting hardware available (see general information section for details) A, F, I, L, N, O, P, Q, X ▪ Mounting hardware for other door thicknesses are available as engineering special, consult customer service
Certifications	Meets ANSI/BHMA 156.06

Dimensions

Product number	Projection "A"	Clearance	Center to center "B"	Overall length "C"	Offset "D"
8190HD-8	3 1/4"	2 1/4"	8"	9"	4 1/4"
8190HD-10	3 1/4"	2 1/4"	10"	11"	4 1/4"
8190HD-12	3 1/4"	2 1/4"	12"	13"	4 1/4"
8190HD-18	3 1/4"	2 1/4"	18"	19"	4 1/4"

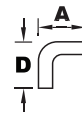
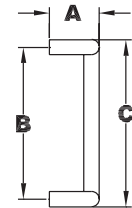
Finishes

BHMA	Description	Substrate	Finish
605	Bright Brass	Brass	US3
606	Satin Brass	Brass	US4
612	Satin Bronze	Brass	US10
613	Oil Rubbed Bronze	Brass	US10B
619	Satin Nickel	Stainless steel	US15
625	Bright Chrome	Brass	US26
626	Satin Chrome	Brass	US26D
626-AM	Satin Chrome Antimicrobial	Brass	US26D-AM
629	Bright Stainless	Stainless steel	US32
630	Satin Stainless	Stainless steel	US32D
630-AM	Satin Stainless Antimicrobial	Stainless steel	US32D-AM
631	Matte Black	Stainless steel	BLK
643e/716	Aged Bronze	Stainless steel	643e/716
695	Dark Bronze Powder Coat	Stainless steel	SP313/US10BE

Note: For other colors, consult factory.

Additional information

- Specify PR when ordering a set of pulls for back to back mounting
- For one back to back machined pull, specify NSGL or PSGL (glass doors)
- Custom lengths are available as engineering special, consult customer service



Pulls, push bars and plates

Architectural pulls and push bars

8190EZHD

90° Offset solid door pull

Specifications

Available sizes	8", 10", 12", 18"
Material substrate	<ul style="list-style-type: none"> Made from solid aluminum (6061-T6 Alloy), brass, or stainless steel (316 Series) 316 Series stainless steel standard, exceeding industry standards for corrosion resistance Recommended for external applications
Mounting hardware	<ul style="list-style-type: none"> Heavy duty mounting hardware exceeds industry standards $\frac{3}{8}$-16 mounting hardware Specify door thickness <ul style="list-style-type: none"> Standard mounting hardware for door thickness of $1\frac{1}{2}$" to $1\frac{3}{4}$" unless otherwise specified Optional package available for 2" and $2\frac{1}{4}$" thick doors Comes standard with through bolt screws and decorative washers (STD - mount) Optional mounting hardware available (see general information section for details) A, F, I, L, N, O, P, Q, X Mounting hardware for other door thicknesses are available as engineering special, consult customer service
Certifications	<ul style="list-style-type: none"> Meets ANSI/BHMA 156.06 Complies with ADA and barrier free applications

Dimensions

Product number	Projection "A"	Clearance	Center to center "B"	Overall length "C"	Offset "D"
8190EZHD-8	3 1/2"	2 1/2"	8"	9"	4 1/4"
8190EZHD-0	3 1/2"	2 1/2"	10"	11"	4 1/4"
8190EZHD-2	3 1/2"	2 1/2"	12"	13"	4 1/4"
8190EZHD-18	3 1/2"	2 1/2"	18"	19"	4 1/4"

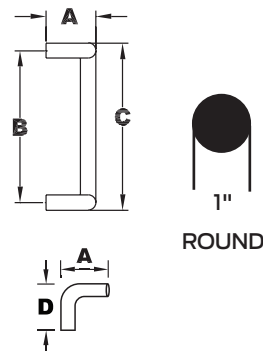
Finishes

BHMA	Description	Substrate	Finish
605	Bright Brass	Brass	US3
606	Satin Brass	Brass	US4
612	Satin Bronze	Brass	US10
613	Oil Rubbed Bronze	Brass	US10B
619	Satin Nickel	Stainless steel	US15
625	Bright Chrome	Brass	US26
626	Satin Chrome	Brass	US26D
626-AM	Satin Chrome Antimicrobial	Brass	US26D-AM
628	Satin Aluminum, Clear Anodized	Aluminum	US28
629-316	Bright Stainless	Stainless steel	32-316
630-316	Satin Stainless	Stainless steel	32D-316
630-AM	Satin Stainless Antimicrobial	Stainless steel	US32D-AM
631	Matte Black	Stainless steel	BLK
643e/716	Aged Bronze	Stainless steel	643e/716
695	Dark Bronze Powder Coat	Stainless steel	SP313/US10BE

Note: For other colors, consult factory.

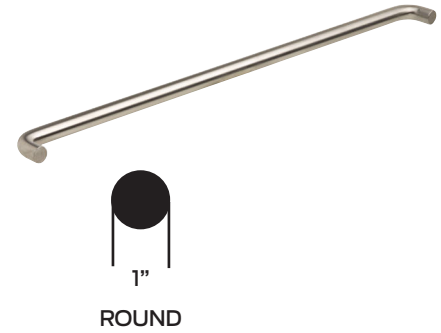
Additional information

- Specify PR when ordering a set of pulls for back to back mounting
- For one back to back machined pull, specify NSGL or PSG (glass doors)
- Custom lengths are available as engineering special, consult customer service



9100HD

Solid push bar



Specifications

Available sizes	<ul style="list-style-type: none"> Available in standard lengths of 28" and 33" Also available in whole 1" increments from 25" to 45" Other lengths available as engineering special, consult customer service
Material substrate	<ul style="list-style-type: none"> Made from solid aluminum (6061-T6 Alloy), brass, or stainless steel (304 or 316 Series) 316 Series Stainless Steel standard, exceeding industry standards for corrosion resistance Recommended for external applications
Mounting hardware	<ul style="list-style-type: none"> Heavy duty mounting hardware exceeds industry standards ³/₈-16 mounting hardware Specify door thickness <ul style="list-style-type: none"> Standard mounting hardware for door thickness of 1 1/2" to 1 3/4" unless otherwise specified Optional package available for 2" and 2 1/4" thick doors Comes standard with type NS mounting Optional mounting hardware available (see general information section for details) A, F, I, L, N, NO, STD, O, P, PQ, Q, X Mounting hardware for other door thicknesses are available as engineering special, consult customer service
Certifications	Meets ANSI/BHMA 156.06

Dimensions

Projection "A"	Clearance	Center to center "B"	Overall length "C"
2 1/2"	1 1/2"	25-45"	Add 1" to CTC length

Finishes

BHMA	Description	Substrate	Finish
605	Bright Brass	Brass	US3
606	Satin Brass	Brass	US4
612	Satin Bronze	Brass	US10
613	Oil Rubbed Bronze	Brass	US10B
619	Satin Nickel	Stainless steel	US15
625	Bright Chrome	Brass	US26
626	Satin Chrome	Brass	US26D
626-AM	Satin Chrome Antimicrobial	Brass	US26D-AM
628	Satin Aluminum, Clear Anodized	Aluminum	US28
629	Bright Stainless	Stainless steel	US32
629-316	Bright Stainless	Stainless steel	32-316
630	Satin Stainless	Stainless steel	US32D
630-316	Satin Stainless	Stainless steel	32D-316
630-AM	Satin Stainless Antimicrobial	Stainless steel	US32D-AM
631	Matte Black	Stainless steel	BLK
643e/716	Aged Bronze	Stainless steel	643e/716
695	Dark Bronze Powder Coat	Stainless steel	SP313/US10BE

Note: For other colors, consult factory.

Additional information

- Specify PR when ordering a set of push bars for back to back mounting
- For one back to back machined push bar, specify NSGL or PSGL (glass doors)
- Specify STD, A, F, I L, O or Q when planning to mount push bar alone
- Specify NS, NO, or PQ when using as a part of a push pull combination

Caution

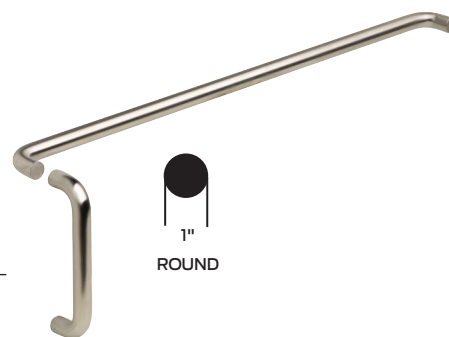
The length of push bar should not interfere with the door jamb or cause a pinch point.

Pulls, push bars and plates

Architectural pulls and push bars

9103EZHD

Solid straight pull/push bar combo (8103EZHD pull + 9100HD push)



Specifications

Available sizes	<ul style="list-style-type: none"> Available in standard lengths of 28" and 33" Also available in whole 1" increments from 25" to 45" Other lengths available as engineering special, consult customer service
Material substrate	<ul style="list-style-type: none"> Made from solid aluminum (6061-T6 Alloy), brass, or stainless steel (316 Series) 316 Series stainless steel standard, exceeding industry standards for corrosion resistance Recommended for external applications
Mounting hardware	<ul style="list-style-type: none"> Heavy duty mounting hardware exceeds industry standards $\frac{3}{8}$-16 mounting hardware Specify door thickness <ul style="list-style-type: none"> Standard mounting hardware for door thickness of 1 $\frac{1}{2}$" to 1 $\frac{3}{4}$" unless otherwise specified Optional package available for 2" and 2 $\frac{1}{4}$" thick doors Comes standard with type NS mounting Optional mounting hardware available (see general information section for details) NO, PQ Mounting hardware for other door thicknesses are available as engineering special, consult customer service
Certifications	<ul style="list-style-type: none"> Meets ANSI/BHMA 156.06 Pull side complies with ADA and barrier free applications

Dimensions

Product number	CTC push	CTC pull	Projection push and pull
9103EZHD	25 to 45"	8"	2 $\frac{1}{2}$ " and 3 $\frac{1}{2}$ "
9103EZHD	25 to 45"	10"	2 $\frac{1}{2}$ " and 3 $\frac{1}{2}$ "
9103EZHD	25 to 45"	12"	2 $\frac{1}{2}$ " and 3 $\frac{1}{2}$ "

Finishes

BHMA	Description	Substrate	Finish
605	Bright Brass	Brass	US3
606	Satin Brass	Brass	US4
612	Satin Bronze	Brass	US10
613	Oil Rubbed Bronze	Brass	US10B
619	Satin Nickel	Stainless steel	US15
625	Bright Chrome	Brass	US26
626	Satin Chrome	Brass	US26D
626-AM	Satin Chrome Antimicrobial	Brass	US26D-AM
628	Satin Aluminum, Clear Anodized	Aluminum	US28
629-316	Bright Stainless	Stainless steel	32-316
630-316	Satin Stainless	Stainless steel	32D-316
630-AM	Satin Stainless Antimicrobial	Stainless steel	US32D-AM
631	Matte Black	Stainless steel	BLK
643e/716	Aged Bronze	Stainless steel	643e/716
695	Dark Bronze Powder Coat	Stainless steel	SP313/US10BE

Note: For other colors, consult factory.

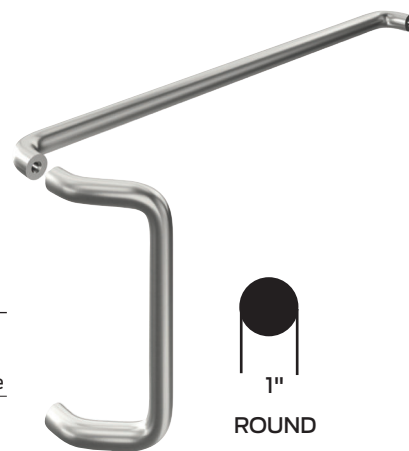
Caution

The length of push bar should not interfere with the door jamb or cause a pinch point.

Pulls, push bars and plates
Architectural pulls and push bars

9145EZHD

45° Offset pull/push bar combo
(8145HD pull + 9100HD push)



Specifications

Available sizes	<ul style="list-style-type: none"> Available in standard lengths of 28" and 33" Also available in whole 1" increments from 25" to 45" Other lengths available as engineering special, consult customer service
Material substrate	<ul style="list-style-type: none"> Made from solid aluminum (6061-T6 Alloy), brass, or stainless steel (316 Series) 316 Series stainless steel standard, exceeding industry standards for corrosion resistance Recommended for external applications
Mounting hardware	<ul style="list-style-type: none"> Heavy duty mounting hardware exceeds industry standards 3/8"-16 mounting hardware Specify door thickness <ul style="list-style-type: none"> Standard mounting hardware for door thickness of 1 1/2" to 1 3/4" unless otherwise specified Optional package available for 2" and 2 1/4" thick doors Comes standard with type NS mounting. Optional mounting hardware available (see general information section for details) NO, PQ Mounting hardware for other door thicknesses are available as engineering special, consult customer service
Certifications	<ul style="list-style-type: none"> Meets ANSI/BHMA 156.06 Pull side complies with ADA and barrier free applications

Dimensions

Product number	CTC push	CTC pull	Projection push and pull
9145EZHD	25 to 45"	8"	2 1/2" and 3 1/2"
9145EZHD	25 to 45"	10"	2 1/2" and 3 1/2"
9145EZHD	25 to 45"	12"	2 1/2" and 3 1/2"
9145EZHD	25 to 45"	18"	2 1/2" and 3 1/2"

Finishes

BHMA	Description	Substrate	Finish
605	Bright Brass	Brass	US3
606	Satin Brass	Brass	US4
612	Satin Bronze	Brass	US10
613	Oil Rubbed Bronze	Brass	US10B
619	Satin Nickel	Stainless steel	US15
625	Bright Chrome	Brass	US26
626	Satin Chrome	Brass	US26D
626-AM	Satin Chrome Antimicrobial	Brass	US26D-AM
628	Satin Aluminum, Clear Anodized	Aluminum	US28
629-316	Bright Stainless	Stainless steel	32-316
630-316	Satin Stainless	Stainless steel	32D-316
630-AM	Satin Stainless Antimicrobial	Stainless steel	US32D-AM
631	Matte Black	Stainless steel	BLK
643e/716	Aged Bronze	Stainless steel	643e/716
695	Dark Bronze Powder Coat	Stainless steel	SP313/US10BE

Note: For other colors, consult factory.

Caution

The length of push bar should not interfere with the door jamb or cause a pinch point.

Introduction
Table of contents
Hinges and pivots
Pulls, push bars and plates
Flush bolts, strikes and coordinators
Latches, catches and bolts
Door stops, holders and silencers
Exterior hardware
Miscellaneous hardware

Pulls, push bars and plates

Architectural pulls and push bars

9190HD

Solid 90° offset pull/push bar combo (8190HD pull + 9100HD push)

Specifications

Available sizes	<ul style="list-style-type: none"> Available in standard lengths of 28" and 33" Also available in whole 1" increments from 25" to 45" Other lengths available as engineering special, consult customer service
Material substrate	Made from solid aluminum (6061-T6 Alloy), brass, or stainless steel (304 Series)
Mounting hardware	<ul style="list-style-type: none"> Heavy duty mounting hardware exceeds industry standards $\frac{3}{8}$-16 mounting hardware Specify door thickness <ul style="list-style-type: none"> Standard mounting hardware for door thickness of 1 $\frac{1}{2}$" to 1 $\frac{3}{4}$" unless otherwise specified Optional package available for 2" and 2 $\frac{1}{4}$" thick doors Comes Standard with type NS mounting. Optional mounting hardware available (see general information section for details) NO, PQ Mounting hardware for other door thicknesses are available as engineering special, consult customer service
Certifications	Meets ANSI/BHMA 156.06

Dimensions

Product number	CTC push	CTC pull	Projection push and pull
9190EZHD	25 to 45"	8"	2 $\frac{1}{2}$ " and 3 $\frac{1}{4}$ "
9190EZHD	25 to 45"	10"	2 $\frac{1}{2}$ " and 3 $\frac{1}{4}$ "
9190EZHD	25 to 45"	12"	2 $\frac{1}{2}$ " and 3 $\frac{1}{4}$ "
9190EZHD	25 to 45"	18"	2 $\frac{1}{2}$ " and 3 $\frac{1}{4}$ "

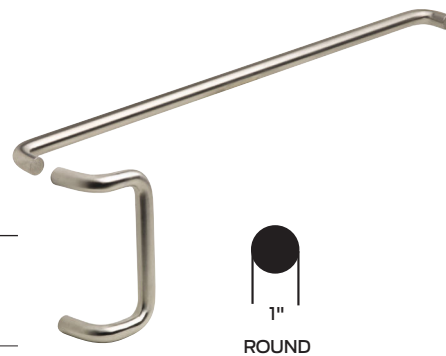
Finishes

BHMA	Description	Substrate	Finish
605	Bright Brass	Brass	US3
606	Satin Brass	Brass	US4
612	Satin Bronze	Brass	US10
613	Oil Rubbed Bronze	Brass	US10B
619	Satin Nickel	Stainless steel	US15
625	Bright Chrome	Brass	US26
626	Satin Chrome	Brass	US26D
626-AM	Satin Chrome Antimicrobial	Brass	US26D-AM
628	Satin Aluminum, Clear Anodized	Aluminum	US28
629	Bright Stainless	Stainless steel	US32
630	Satin Stainless	Stainless steel	US32D
630-AM	Satin Stainless Antimicrobial	Stainless steel	US32D-AM
631	Matte Black	Stainless steel	BLK
643e/716	Aged Bronze	Stainless steel	643e/716
695	Dark Bronze Powder Coat	Stainless steel	SP313/US10BE

Note: For other colors, consult factory.

Caution

The length of push bar should not interfere with the door jamb or cause a pinch point.

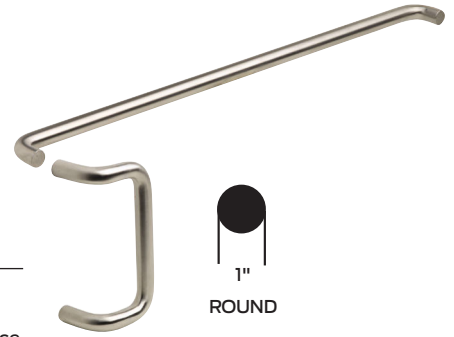


Pulls, push bars and plates

Decorative pulls

9190EZHD

Solid 90° offset pull/push bar combo (8190EZHD pull + 9100HD push)



Specifications

Available sizes	<ul style="list-style-type: none">Available in standard lengths of 28" and 33"Also available in whole 1" increments from 25" to 45"Other lengths available as engineering special, consult customer service
Material substrate	<ul style="list-style-type: none">Made from solid aluminum (6061-T6 Alloy), brass, or stainless steel (316 Series)316 Series stainless steel standard, exceeding industry standards for corrosion resistanceRecommended for external applications
Mounting hardware	<ul style="list-style-type: none">Heavy duty mounting hardware exceeds industry standards$\frac{3}{8}$-16 mounting hardwareSpecify door thickness<ul style="list-style-type: none">Standard mounting hardware for door thickness of 1 $\frac{1}{2}$" to 1 $\frac{3}{4}$" unless otherwise specifiedOptional package available for 2" and 2 $\frac{1}{4}$" thick doorsComes standard with type NS mounting.Optional mounting hardware available (see general information section for details) NO, PQMounting hardware for other door thicknesses are available as engineering special, consult customer service
Certifications	<ul style="list-style-type: none">Meets ANSI/BHMA 156.06Pull side complies with ADA and barrier free applications

Dimensions

Product number	CTC push	CTC pull	Projection push and pull
9190EZHD	25 to 45"	8"	2 $\frac{1}{2}$ " and 3 $\frac{1}{2}$ "
9190EZHD	25 to 45"	10"	2 $\frac{1}{2}$ " and 3 $\frac{1}{2}$ "
9190EZHD	25 to 45"	12"	2 $\frac{1}{2}$ " and 3 $\frac{1}{2}$ "
9190EZHD	25 to 45"	18"	2 $\frac{1}{2}$ " and 3 $\frac{1}{2}$ "

Finishes

BHMA	Description	Substrate	Finish
605	Bright Brass	Brass	US3
606	Satin Brass	Brass	US4
612	Satin Bronze	Brass	US10
613	Oil Rubbed Bronze	Brass	US10B
619	Satin Nickel	Stainless steel	US15
625	Bright Chrome	Brass	US26
626	Satin Chrome	Brass	US26D
626-AM	Satin Chrome Antimicrobial	Brass	US26D-AM
628	Satin Aluminum, Clear Anodized	Aluminum	US28
629-316	Bright Stainless	Stainless steel	32-316
630-316	Satin Stainless	Stainless steel	32D-316
630-AM	Satin Stainless Antimicrobial	Stainless steel	US32D-AM
631	Matte Black	Stainless steel	BLK
643e/716	Aged Bronze	Stainless steel	643e/716
695	Dark Bronze Powder Coat	Stainless steel	SP313/US10BE

Note: For other colors, consult factory.

Caution

The length of push bar should not interfere with the door jamb or cause a pinch point.

Pulls, push bars and plates

Decorative pulls

8111-5

Solid door pull

Specifications

Available sizes	5 1/4"
Material substrate	Made from solid aluminum (6061-T6 Alloy), brass, or stainless steel (304 Series)
Mounting hardware	<ul style="list-style-type: none"> 1/4"-20 mounting hardware Specify door thickness Standard mounting hardware for door thickness of 1 1/2" to 1 3/4" unless otherwise specified Optional package available for 2" and 2 1/4" thick doors Comes standard with through bolt screws and decorative washers Optional mounting hardware available (see general information section for details) F, G Mounting hardware for other door thicknesses are available as engineering special, consult customer service
Certifications	Meets ANSI/BHMA 156.06

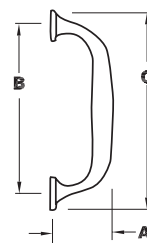
Dimensions

Product number	Projection "A"	Clearance	Center to center "B"	Overall length "C"
8111-5	1 13/16"	1 3/16"	5 1/4"	6 1/4"

Finishes

BHMA	Description	Substrate	Finish
605	Bright Brass	Brass	US3
606	Satin Brass	Brass	US4
612	Satin Bronze	Brass	US10
613	Oil Rubbed Bronze	Brass	US10B
619	Satin Nickel	Stainless steel	US15
625	Bright Chrome	Brass	US26
626	Satin Chrome	Brass	US26D
626-AM	Satin Chrome Antimicrobial	Brass	US26D-AM
628	Satin Aluminum, Clear Anodized	Aluminum	US28
630	Satin Stainless	Stainless steel	US32D
630-AM	Satin Stainless Antimicrobial	Stainless steel	US32D-AM
631	Matte Black	Stainless steel	BLK

Note: For other colors, consult factory.



8112-5

Solid door pull

Specifications

Available sizes	5 1/4"
Material substrate	Made from brass
Mounting hardware	<ul style="list-style-type: none"> 8 x 1" wood screws Surface mount only
Certifications	Meets ANSI/BHMA 156.06

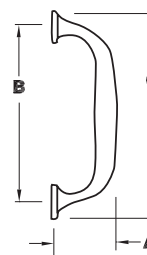
Dimensions

Product number	Projection "A"	Clearance	Center to center "B"	Overall length "C"
8112-5	2 13/16"	1 7/16"	5 5/8"	7 1/2"

Finishes

BHMA	Description	Substrate	Finish
626	Satin Chrome	Brass	US26D
626-AM	Satin Chrome Antimicrobial	Brass	US26D-AM

Note: For other colors, consult factory.



Pulls, push bars and plates

Decorative pulls

8121

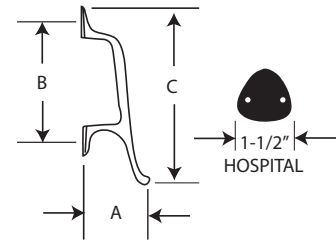
Solid door pull

Specifications

Available sizes	5 3/4"
Material substrate	Made solid brass
Mounting hardware	<ul style="list-style-type: none"> 8-32 x 1" machine screw and #8 x 1" wood screw Specify door thickness <ul style="list-style-type: none"> Standard mounting hardware for door thickness of 1 1/2" to 1 3/4" unless otherwise specified Supplied standard with K mounting hardware; optional mounting hardware available (see general information section for details) Mounting hardware for other door thicknesses are available as engineering special, consult customer service
Certifications	Meets ANSI/BHMA 156.06

Dimensions

Product number	Projection "A"	Clearance	Center to center "B"	Overall length "C"
8121-5	3 1/2"	1 7/16"	5 3/4"	8 3/4"



8169

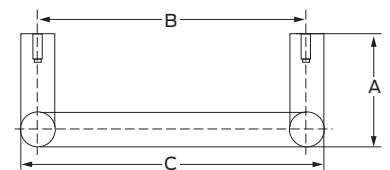
C style (tubular series) offset solid door pull

Specifications

Available sizes	10", 12"; 1" Diameter pull bar
Material substrate	Made from brass or stainless steel (304 Series)
Mounting hardware	<ul style="list-style-type: none"> Heavy duty mounting hardware exceeds industry standards 3/8"-16 mounting hardware Specify door thickness <ul style="list-style-type: none"> Standard mounting hardware for door thickness of 1 1/2" to 1 3/4" unless otherwise specified Accessory package available for 2" and 2 1/4" thick doors Comes standard with through bolt screws and decorative washers. Optional mounting hardware available (see general information section for details) A, F, I, L, N, O, P, Q, X Mounting hardware for other door thicknesses are available as engineering special, consult customer service
Certifications	Meets ANSI/BHMA 156.06

Dimensions

Product number	Projection "A"	Clearance	Offset	Center to center "B"	Overall length "C"
8169-0	3"	2"	6 1/2"	10	11
8169-2	3"	2"	6 1/2"	12	13



Additional information

- Specify PR when ordering a set of pulls for back to back mounting
- For one back to back machined pull, specify NSGL or PSGL (glass doors)
- Custom lengths are available as engineering special, consult customer service

8121 and 8169 finishes

BHMA	Description	Substrate	Finish
605	Bright brass	Brass	US3
613	Oil rubbed bronze	Brass	US10B
619	Satin nickel	Brass	US15
625	Bright chrome	Brass	US26
626*	Satin chrome	Brass	US26D
626-AM*	Satin Chrome Antimicrobial	Brass	US26D-AM
630	Satin stainless	Stainless steel	US32D
631	Matte black	Stainless steel	BLK

Note: For other colors, consult factory.
*8121 only available in these finishes.



Introduction
Table of contents
Hinges and pivots
Pulls, push bars and plates
Flush bolts, strikes and coordinators
Latches, catches and bolts
Door stops, holders and silencers
Exterior hardware
Miscellaneous hardware

Pulls, push bars and plates

Decorative pulls

8181

Georgian 90° offset solid door pull

Specifications

Available sizes	12", 16", 18"; 1" Round pull (grip area 1 1/4")
Material substrate	Made from solid aluminum, brass or stainless steel (304 Series)
Mounting hardware	<ul style="list-style-type: none"> ▪ Heavy duty mounting hardware exceeds industry standards ▪ 3/8"-16 mounting hardware ▪ Specify door thickness <ul style="list-style-type: none"> - Standard mounting hardware for door thickness of 1 1/2" to 1 3/4" unless otherwise specified - Accessory package available for 2" and 2 1/4" thick doors ▪ Comes standard with through bolt screws and decorative washers. ▪ Optional mounting hardware available (see general information section for details) A, F, I, L, N, O, P, Q, X <ul style="list-style-type: none"> - Mounting hardware for other door thicknesses are available as engineering special, consult customer service
Certifications	Meets ANSI/BHMA 156.06

Dimensions

Product number	Projection "A"	Clearance	Offset "D"	Center to center "B"	Overall length "C"
8181-2	3 1/8"	1 7/8"	4"	12"	12 3/4"
8181-16	3 1/8"	1 7/8"	4"	16"	16 3/4"
8181-18	3 1/8"	1 7/8"	4"	18"	18 3/4"

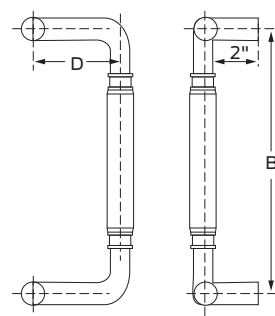
Finishes

BHMA	Description	Substrate	Finish
605	Bright Brass	Brass	US3
613	Oil Rubbed Bronze	Brass	US10B
619	Satin Nickel	Brass	US15
625	Bright Chrome	Brass	US26
626	Satin Chrome	Brass	US26D
628	Satin Aluminum, Clear Anodized	Aluminum	US28
630	Satin Stainless	Stainless steel	US32D
631	Matte Black	Stainless steel	BLK

Note: For other colors, consult factory.

Additional information

- Specify PR when ordering a set of pulls for back to back mounting
- For one back to back machined pull, specify NSGL or PSGGL (glass doors)
- Custom lengths are available as engineering special, consult customer service



Pulls, push bars and plates

Decorative pulls

8189

Athens offset tubular door pull

Specifications

Available sizes	19 ³ / ₁₆ " ; 1 ¹ / ₄ " Diameter pull bar with 1 ¹ / ₄ " diameter mounting posts
Material substrate	Made from brass or stainless steel (304 Series)
Mounting hardware	<ul style="list-style-type: none"> ▪ Heavy duty mounting hardware exceeds industry standards ▪ ³/₈-16 mounting hardware ▪ Specify door thickness <ul style="list-style-type: none"> - Standard mounting hardware for door thickness of 1 ¹/₂" to 1 ³/₄" unless otherwise specified - Accessory package available for 2" and 2 ¹/₄" thick doors ▪ Comes standard with through bolt screws and decorative washers. ▪ Optional mounting hardware available (see general information section for details) A, F, I, L, N, O, P, Q, X ▪ Mounting hardware for other door thicknesses are available as engineering special, consult customer service
Certifications	Meets ANSI/BHMA 156.06

Dimensions

Product number	Projection "A"	Clearance	Offset "D"	Center to center "B"	Overall length "C"
8181-19	2 ⁵ / ₈ "	1 ³ / ₈ "	1 ¹ / ₂ "	19 ¹³ / ₁₆ "	29 ¹ / ₂ "

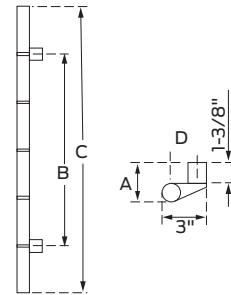
Finishes

BHMA	Description	Substrate	Finish
605	Bright Brass	Brass	US3
613	Oil Rubbed Bronze	Brass	US10B
619	Satin Nickel	Brass	US15
625	Bright Chrome	Brass	US26
626	Satin Chrome	Brass	US26D
630	Satin Stainless	Stainless steel	US32D
631	Matte Black	Stainless steel	BLK

Note: For other colors, consult factory.

Additional information

- Specify PR when ordering a set of pulls for back to back mounting
- For one back to back machined pull, specify NSGL or PSGL (glass doors)
- Custom lengths are available as engineering special, consult customer service



Pulls, push bars and plates

Decorative pulls

8281

Georgian straight solid door pull

Specifications

Available sizes	12", 16", 18"; 1" Round pull (grip area 1 1/4")
Material substrate	Made from solid aluminum, brass or stainless steel (304 Series)
Mounting hardware	<ul style="list-style-type: none"> ▪ Heavy duty mounting hardware exceeds industry standards ▪ 3/8-16 mounting hardware ▪ Specify door thickness <ul style="list-style-type: none"> – Standard mounting hardware for door thickness of 1 1/2" to 1 3/4" unless otherwise specified – Accessory package available for 2" and 2 1/4" thick doors ▪ Comes standard with through bolt screws and decorative washers. ▪ Optional mounting hardware available (see general information section for details) A, F, I, L, N, O, P, Q, X ▪ Mounting hardware for other door thicknesses are available as engineering special, consult customer service
Certifications	Meets ANSI/BHMA 156.06

Dimensions

Product number	Projection "A"	Clearance	Offset "D"	Center to center "B"	Overall length "C"
8281-2	3 1/8"	1 7/8"	4"	12"	12 3/4"
8281-16	3 1/8"	1 7/8"	4"	16"	16 3/4"
8281-18	3 1/8"	1 7/8"	4"	18"	18 3/4"

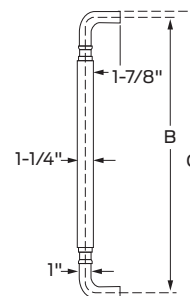
Finishes

BHMA	Description	Substrate	Finish
605	Bright Brass	Brass	US3
613	Oil Rubbed Bronze	Brass	US10B
619	Satin Nickel	Brass	US15
625	Bright Chrome	Brass	US26
626	Satin Chrome	Brass	US26D
628	Satin Aluminum, Clear Anodized	Aluminum	US28
630	Satin Stainless	Stainless steel	US32D
631	Matte Black	Stainless steel	BLK

Note: For other colors, consult factory.

Additional information

- Specify PR when ordering a set of pulls for back to back mounting
- For one back to back machined pull, specify NSGL or QSG (glass doors)
- Custom lengths are available as engineering special, consult customer service



Pulls, push bars and plates

Decorative pulls

8312

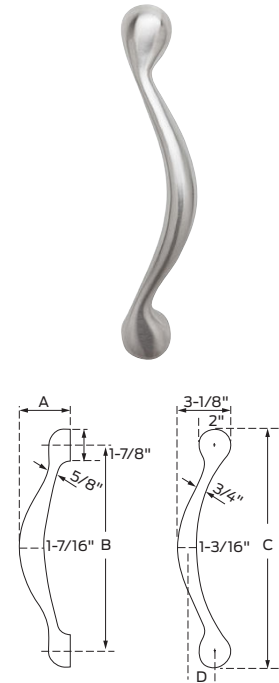
Plymouth offset solid door pull

Specifications

Available sizes	12"; 1 7/16" Max grip diameter
Material substrate	Made from brass or stainless steel (304 Series)
Mounting hardware	<ul style="list-style-type: none"> Heavy duty mounting hardware exceeds industry standards 3/8"-16 mounting hardware Specify door thickness <ul style="list-style-type: none"> Standard mounting hardware for door thickness of 1 1/2" to 1 3/4" unless otherwise specified Accessory package available for 2" and 2 1/4" thick doors Comes standard with through bolt screws and decorative washers Optional mounting hardware available (see general information section for details) A, F, I, L, N, O, P, Q, X Mounting hardware for other door thicknesses are available as engineering special, consult customer service
Certifications	Meets ANSI/BHMA 156.06

Dimensions

Product number	Projection "A"	Clearance	Offset "D"	Center to center "B"	Overall length "C"
8312-2	3"	1 9/16"	1 1/2"	12"	14"



8320

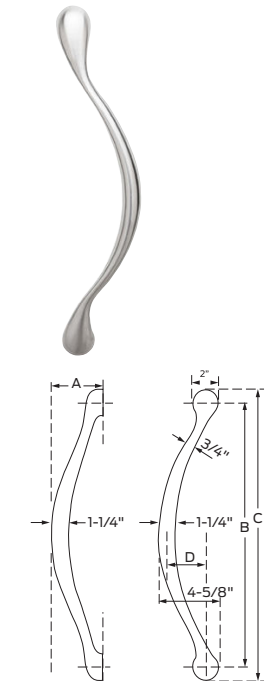
Plymouth offset solid door pull

Specifications

Available sizes	12"; 1 7/16" Max grip diameter
Material substrate	Made from brass or stainless steel (304 Series)
Mounting hardware	<ul style="list-style-type: none"> Heavy duty mounting hardware exceeds industry standards 3/8"-16 mounting hardware Specify door thickness <ul style="list-style-type: none"> Standard mounting hardware for door thickness of 1 1/2" to 1 3/4" unless otherwise specified Accessory package available for 2" and 2 1/4" thick doors Comes standard with through bolt screws and decorative washers Optional mounting hardware available (see general information section for details) A, F, I, L, N, O, P, Q, X Mounting hardware for other door thicknesses are available as engineering special, consult customer service.
Certifications	Meets ANSI/BHMA 156.06

Dimensions

Product number	Projection "A"	Clearance	Offset "D"	Center to center "B"	Overall length "C"
8320-20	3 7/8"	2 5/8"	2 7/8"	20"	22"



Additional information (8312 and 8320 models)

- Specify PR when ordering a set of pulls for back to back mounting
- For one back to back machined pull, specify NSGL or QSG (glass doors)
- Custom lengths are available as engineering special, consult customer service

8312 and 8320 Finishes

BHMA	Description	Substrate	Finish
605	Bright Brass	Brass	US3
613	Oil Rubbed Bronze	Brass	US10B
619	Satin Nickel	Brass	US15
625	Bright Chrome	Brass	US26
626	Satin Chrome	Brass	US26D
630	Satin Stainless	Stainless steel	US32D
631	Matte Black	Stainless steel	BLK

Note: For other colors, consult factory.

Pulls, push bars and plates

Decorative pulls

8371

Addison flat tip straight solid door pull

Specifications

Available sizes	12", 18", 24"; 1" Round pull with 1 1/4" base mounting posts
Material substrate	Made from solid brass
Mounting hardware	<ul style="list-style-type: none"> Heavy duty mounting hardware exceeds industry standards 3/8"-16" mounting hardware Specify door thickness <ul style="list-style-type: none"> Standard mounting hardware for door thickness of 1 1/2" to 1 3/4" unless otherwise specified Accessory package available for 2" and 2 1/4" thick doors Comes standard with through bolt screws and decorative washers Optional mounting hardware available (see general information section for details) A, F, I, L, N, O, P, Q, X Mounting hardware for other door thicknesses are available as engineering special, consult customer service
Certifications	Meets ANSI/BHMA 156.06

Dimensions

Product number	Projection "A"	Clearance	Center to center "B"	Overall length "C"
8371-2	3 7/16"	2"	12"	16"
8371-18	3 7/16"	2"	18"	22"
8371-24	3 7/16"	2"	24"	28"

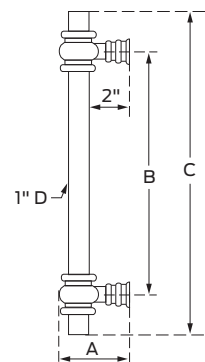
Finishes

BHMA	Description	Substrate	Finish
605	Bright brass	Brass	US3
613	Oil rubbed bronze	Brass	US10B
619	Satin nickel	Brass	US15
622	Matte black	Brass	BLK
625	Bright chrome	Brass	US26
626	Satin chrome	Brass	US26D

Note: For other colors, consult factory.

Additional information

- Specify PR when ordering a set of pulls for back to back mounting
- For one back to back machined pull, specify NSGL or PSG (glass doors)
- Custom lengths are available as engineering special, consult customer service



Pulls, push bars and plates

Decorative pulls

8372

Camelot steeple tip straight tubular door pull

Specifications

Available sizes	12", 18", 24"; 1" Round pull with 2" base mounting posts
Material substrate	Made from brass
Mounting hardware	<ul style="list-style-type: none"> Heavy duty mounting hardware exceeds industry standards 5/16"-18 mounting hardware Specify door thickness <ul style="list-style-type: none"> Standard mounting hardware for door thickness of 1 1/2" to 1 3/4" unless otherwise specified Accessory package available for 2" and 2 1/4" thick doors Comes standard with through bolt screws and decorative washers. Optional mounting hardware available (see general information section for details) F, I, J, L, O, P Mounting hardware for other door thicknesses are available as engineering special, consult customer service
Certifications	Meets ANSI/BHMA 156.06

Dimensions

Product number	Projection "A"	Clearance	Center to center "B"	Overall length "C"
8372-2	2 7/8"	1 7/8"	12"	17"
8372-18	2 7/8"	1 7/8"	18"	23"
8372-24	2 7/8"	1 7/8"	24"	29"

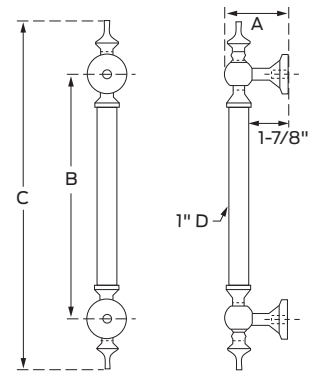
Finishes

BHMA	Description	Substrate	Finish
605	Bright brass	Brass	US3
613	Oil rubbed bronze	Brass	US10B
619	Satin nickel	Brass	US15
622	Matte black	Brass	BLK
625	Bright chrome	Brass	US26
626	Satin chrome	Brass	US26D

Note: For other colors, consult factory.

Additional information

- Specify PR when ordering a set of pulls for back to back mounting
- For one back to back machined pull, specify JSGL
- Custom lengths are available as engineering special, consult customer service



Pulls, push bars and plates

Decorative pulls

8373

Brookshire acorn tip straight tubular door pull

Specifications

Available sizes	12", 18", 24"; 1" Round pull with 2" base mounting posts
Material substrate	Made from brass
Mounting hardware	<ul style="list-style-type: none"> Heavy duty mounting hardware exceeds industry standards $\frac{5}{16}$-18 mounting hardware Specify door thickness <ul style="list-style-type: none"> Standard mounting hardware for door thickness of $1\frac{1}{2}$" to $1\frac{3}{4}$" unless otherwise specified Accessory package available for 2" and $2\frac{1}{4}$" thick doors Comes standard with through bolt screws and decorative washers. Optional mounting hardware available (see general information section for details) F, I, J, L, O, P Mounting hardware for other door thicknesses are available as engineering special, consult customer service
Certifications	Meets ANSI/BHMA 156.06

Dimensions

Product number	Projection "A"	Clearance	Center to center "B"	Overall length "C"
8372-2	3"	$1\frac{7}{8}$ "	12"	$16\frac{5}{16}$ "
8372-18	3"	$1\frac{7}{8}$ "	18"	$22\frac{5}{16}$ "
8372-24	3"	$1\frac{7}{8}$ "	24"	$28\frac{5}{16}$ "

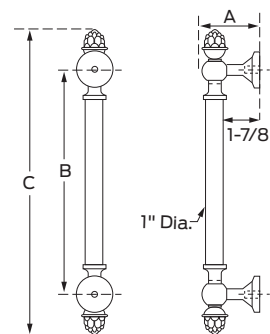
Finishes

BHMA	Description	Substrate	Finish
605	Bright Brass	Brass	US3
613	Oil Rubbed Bronze	Brass	US10B
619	Satin Nickel	Brass	US15
622	Matte Black	Brass	BLK
625	Bright Chrome	Brass	US26
626	Satin Chrome	Brass	US26D

Note: For other colors, consult factory.

Additional information

- Specify PR when ordering a set of pulls for back to back mounting
- For one back to back machined pull, specify JSGL
- Custom lengths are available as engineering special, consult customer service



Pulls, push bars and plates

Decorative pulls

8700

Greenwich arc straight solid door pull

Specifications

Available sizes	9", 12", 18", 24"; 3/4" Round pull
Material substrate	Made from solid brass or stainless steel (304 Series)
Mounting hardware	<ul style="list-style-type: none"> ▪ 5/16-18 mounting hardware ▪ Specify door thickness <ul style="list-style-type: none"> - Standard mounting hardware for door thickness of 1 1/2" to 1 3/4" unless otherwise specified - Accessory package available for 2" and 2 1/4" thick doors ▪ Comes standard with through bolt screws and decorative washers ▪ Optional mounting hardware available (see general information section for details) F, I, J, L, O, P ▪ Mounting hardware for other door thicknesses are available as engineering special, consult customer service.
Certifications	Meets ANSI/BHMA 156.06

Dimensions

Product number	Projection "A"	Clearance	Center to center "B"	Overall length "C"
8700-9	2 3/8"	1 1/2"	9"	12 9/16"
8700-2	2 3/8"	1 1/2"	12"	15 9/16"
8700-18	2 3/8"	1 3/4"	18"	21 9/16"
8700-24	2 3/8"	1 3/4"	24"	27 9/16"

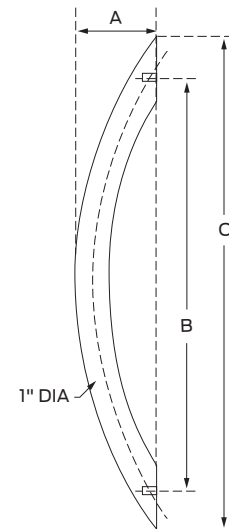
Finishes

BHMA	Description	Substrate	Finish
605	Bright Brass	Brass	US3
613	Oil Rubbed Bronze	Brass	US10B
619	Satin Nickel	Brass	US15
625	Bright Chrome	Brass	US26
626	Satin Chrome	Brass	US26D
630	Satin Stainless	Stainless steel	US32D
631	Matte Black	Stainless steel	BLK

Note: For other colors, consult factory.

Additional information

- Specify PR when ordering a set of pulls for back to back mounting
- For one back to back machined pull, specify JSGL
- Custom lengths are available as engineering special, consult customer service



Pulls, push bars and plates

Decorative pulls

8800

Greenwich arc offset solid door pull

Specifications

Available sizes	9", 12", 18", 24"; 3/4" Round pull
Material substrate	Made from solid brass or stainless steel (304 Series)
Mounting hardware	<ul style="list-style-type: none"> ▪ 1/4"-20 mounting hardware ▪ Specify door thickness <ul style="list-style-type: none"> – Standard mounting hardware for door thickness of 1 1/2" to 1 3/4" unless otherwise specified – Accessory package available for 2" and 2 1/4" thick doors ▪ Comes standard with through bolt screws and decorative washers ▪ Optional mounting hardware available (see general information section for details) F, I, J, L, O, P ▪ Mounting hardware for other door thicknesses are available as engineering special, consult customer service.
Certifications	Meets ANSI/BHMA 156.06

Dimensions

Product number	Projection "A"	Clearance	Offset "D"	Center to center "B"	Overall length "C"
8800-9	2 1/8"	1 3/8"	1"	9"	11 3/4"
8800-2	2 1/8"	1 3/8"	1"	12"	14 3/4"
8800-18	2 1/8"	1 3/8"	1"	18"	20 3/4"
8800-24	2 1/8"	1 3/8"	1"	24"	26 3/4"

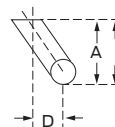
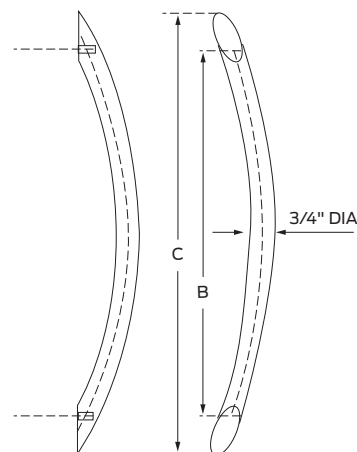
Finishes

BHMA	Description	Substrate	Finish
605	Bright Brass	Brass	US3
613	Oil Rubbed Bronze	Brass	US10B
619	Satin Nickel	Brass	US15
625	Bright Chrome	Brass	US26
626	Satin Chrome	Brass	US26D
630	Satin Stainless	Stainless steel	US32D
631	Matte Black	Stainless steel	BLK

Note: For other colors, consult factory.

Additional information

- Specify PR when ordering a set of pulls for back to back mounting
- For one back to back machined pull, specify JSGL
- Custom lengths are available as engineering special, consult customer service



Pulls, push bars and plates

Decorative pulls

8848

Latitude straight solid door pull

Specifications

Available sizes	12"; 1" Round pull with 2" Round black mounting posts
Material substrate	Made from solid brass or stainless steel (304 Series)
Mounting hardware	<ul style="list-style-type: none">▪ Heavy duty mounting hardware exceeds industry standards▪ $\frac{3}{8}$-16 mounting hardware▪ Specify door thickness<ul style="list-style-type: none">– Standard mounting hardware for door thickness of $1\frac{1}{2}$" to $1\frac{3}{4}$" unless otherwise specified– Accessory package available for 2" and $2\frac{1}{4}$" thick doors▪ Comes standard with through bolt screws and decorative washers▪ Optional mounting hardware available (see general information section for details) A, F, I, L, N, O, P, Q, X▪ Mounting hardware for other door thicknesses are available as engineering special, consult customer service
Certifications	Meets ANSI/BHMA 156.06

Dimensions

Product number	Projection "A"	Clearance	Center to center "B"	Overall length "C"
8848-2	$2\frac{1}{2}$ "	$1\frac{1}{2}$ "	12"	17"

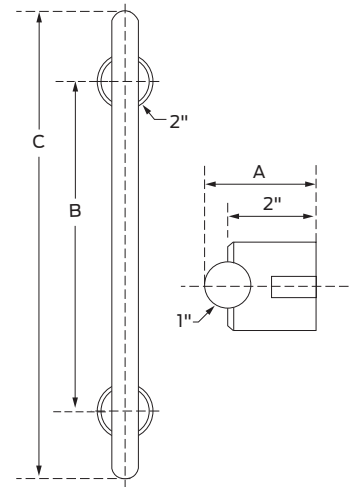
Finishes

BHMA	Description	Substrate	Finish
605	Bright Brass	Brass	US3
613	Oil Rubbed Bronze	Brass	US10B
619	Satin Nickel	Brass	US15
625	Bright Chrome	Brass	US26
626	Satin Chrome	Brass	US26D
630	Satin Stainless	Stainless steel	US32D
631	Matte Black	Stainless steel	BLK

Note: For other colors, consult factory.

Additional information

- Specify PR when ordering a set of pulls for back to back mounting
- For one back to back machined pull, specify NSGL or PSGL (glass doors)
- Custom lengths are available as engineering special, consult customer service



Pulls, push bars and plates

Long door pulls

8975

Rhodes straight solid door pull

Specifications

Available sizes	12"; 1 1/4" x 1/2" Flat pull with 3/4" round mounting posts
Material substrate	Made from solid aluminum, brass or stainless steel (304 Series)
Mounting hardware	<ul style="list-style-type: none"> ▪ Heavy duty mounting hardware exceeds industry standards ▪ 5/16"-18 mounting hardware ▪ Specify door thickness <ul style="list-style-type: none"> - Standard mounting hardware for door thickness of 1 1/2" to 1 3/4" unless otherwise specified - Accessory package available for 2" and 2 1/4" thick doors ▪ Comes standard with through bolt screws and decorative washers ▪ Optional mounting hardware available (see general information section for details) F, I, J, L, O, P ▪ Mounting hardware for other door thicknesses are available as engineering special, consult customer service
Certifications	Meets ANSI/BHMA 156.06

Dimensions

Product number	Projection "A"	Clearance	Center to center "B"	Overall length "C"
8975-2	2 1/4"	1 3/4"	12"	18"

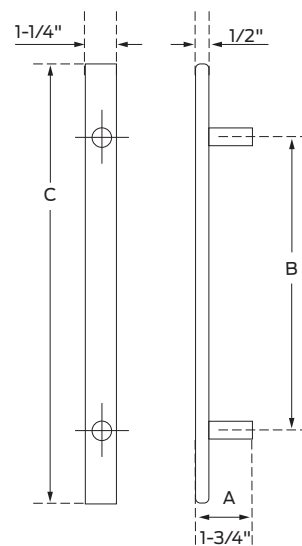
Finishes

BHMA	Description	Substrate	Finish
628	Satin Aluminum, Clear Anodized	Aluminum	US28

Note: For other colors, consult factory.

Additional information

- Specify PR when ordering a set of pulls for back to back mounting
- For one back to back machined pull, specify JSGL (glass doors)
- Custom lengths are available as engineering special, consult customer service



Pulls, push bars and plates

Long door pulls

9264/9266

Long door pull, rounded tip (offset and straight models)

Specifications

Available sizes	<ul style="list-style-type: none"> 1 1/4" Diameter tubular bar Round tip is standard Optional flat Tip (F) is available; specify F after model number when ordering Available in whole 1" increments from 12" to 96" Other lengths available as engineering special, consult customer service
Material substrate	<ul style="list-style-type: none"> Made from brass or stainless steel (316 Series) 316 Series Stainless Steel standard, exceeding industry standards for corrosion resistance Recommended for external applications
Mounting hardware	<ul style="list-style-type: none"> Heavy duty mounting hardware exceeds industry standards 3/8-16 mounting hardware Specify door thickness <ul style="list-style-type: none"> Standard mounting hardware for door thickness of 1 1/2" to 1 3/4" unless otherwise specified Optional package available for 2" and 2 1/4" thick doors Comes standard with through bolt screws and decorative washers Optional mounting hardware available (see general information section for details) A, I, L, N, O, P, Q, X Mounting hardware for other door thicknesses are available as engineering special, consult customer service
Certifications	Meets ANSI/BHMA 156.06

Standard lengths

Product number	Projection	Clearance	Offset	Overall length	CTC
9264-72-56	2 3/4"	1 1/2"	1 5/8"	72"	56"
9264-36-20	2 3/4"	1 1/2"	1 5/8"	36"	20"
9264-24-18	2 3/4"	1 1/2"	1 5/8"	24"	18"
9264-18-12	2 3/4"	1 1/2"	1 5/8"	18"	12"
9264-12-8	2 3/4"	1 1/2"	1 5/8"	12"	8"
9266-72-56	2 3/4"	1 1/2"	—	72"	56"
9266-36-20	2 3/4"	1 1/2"	—	36"	20"
9266-24-18	2 3/4"	1 1/2"	—	24"	18"
9266-18-12	2 3/4"	1 1/2"	—	18"	12"
9266-12-8	2 3/4"	1 1/2"	—	12"	8"

Finishes

BHMA	Description	Substrate	Finish
605	Bright Brass	Brass	US3
606	Satin Brass	Brass	US4
613	Oil Rubbed Bronze	Brass	US10B
619	Satin Nickel	Stainless steel	US15
629-316	Bright Stainless	Stainless steel	32-316
630-316	Satin Stainless	Stainless steel	32D-316
630-AM	Satin Stainless Antimicrobial	Stainless steel	US32D-AM
631	Matte Black	Stainless steel	BLK
695	Dark Bronze Powder Coat	Stainless steel	SP313/US10BE

Note: For other colors, consult factory.

Additional information

- If not specified, standard center to center length for pulls 36" or longer is 16" less than total pull length (8" from each end of the pull); Center to center length must be specified for lengths less than 36"
 - Ex. 72" Long pull has a 56" center to center
- If the center to center length is less than half the total pull length, consult customer service
- Specify PR when ordering a set of push bars for back to back mounting
- For one back to back machined push bar, specify NSGL or PSGGL (glass doors)
- Additional mounting post required for lengths greater than 96"; Mid posts are optional for other lengths (specify mid post location when ordering)

Caution

Recommend the length of the ladder pull should not exceed 4" less than the door height.



9266 Straight long door pull



9264 Offset bracket



Round tip (standard)



Flat tip (F option)

Note: A middle position bracket is required for pulls over 8 feet.

Pulls, push bars and plates

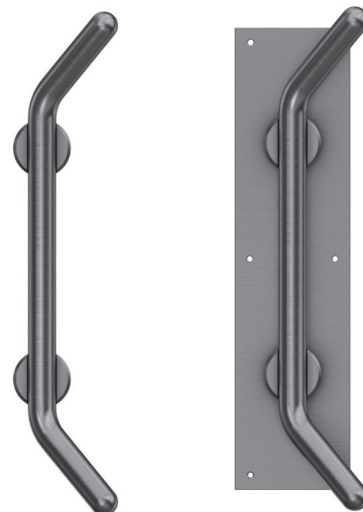
Hands-free door pulls

8122HD/8322HD

Hands-free reversible arm pull (models with and without plate)

Ives hands-free door pulls allow for hands-free operation to promote a healthy environment. Ives offers pulls in a variety of styles and designs that enable pedestrians to operate the door with an arm, elbow or wrist to avoid contacting surfaces with their hands.

- Durable construction with rust-free brass for longevity
- Cost effective option is budget friendly
- Easily retrofits to existing openings
- Aesthetically pleasing designs to suite with building style
- 1" Round pull with 2" round mounting posts
- Patented, rounded design enables safe and comfortable hands-free use
- Flexibility to open with forearm or wrist at top of bottom of pull
- Reversible design allows for flexible install toward hinge or latch side
- 8322HD available with 4 x 16" or 6 x 16" pull plate
- Available in 8" or 10" center to center



Specifications

Material substrate	Brass
Certifications	<ul style="list-style-type: none"> ▪ UL10C listed for 3-hours - F, I, L mounted pull only ▪ ADA Compliant design
Size	<ul style="list-style-type: none"> ▪ 8" Pull: 17 1/2" (H) x 3 5/8" (W) x 4" (D) ▪ 10" Pull: 19 1/2" (H) x 3 5/8" (W) x 4" (D)
Mounting	<ul style="list-style-type: none"> ▪ Heavy duty mounting hardware exceeds industry standards ▪ Optional mounting hardware available (see general information section for details) A, F, I, L, O

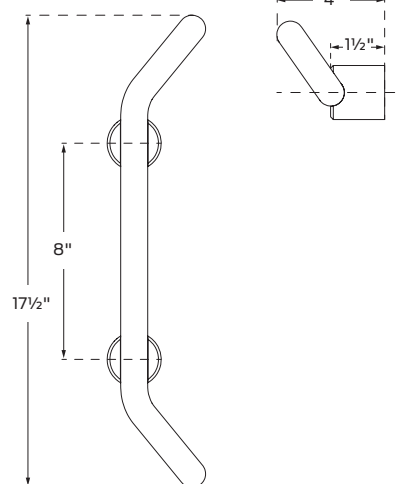
Standard lengths

Product	Projection	Clearance	CTC	Overall length
8 CTC	4"	1 1/2"	8"	17 1/2"
10 CTC	4"	1 1/2"	10"	19 1/2"

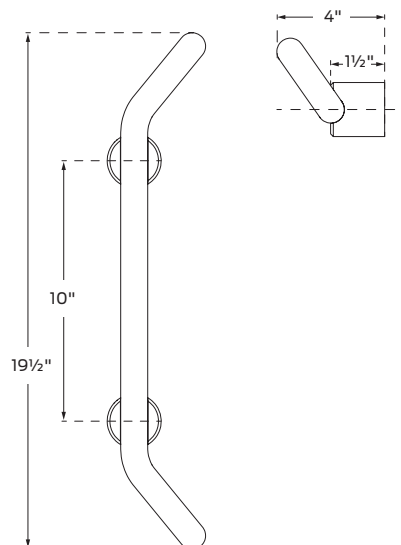
Finishes

BHMA	Description	Substrate	Finish
622	Matte Black	Brass	US19
626	Satin Chrome	Brass	US26D
695	Dark Bronze Powder Coat	Brass	SP313/US10BE

8 CTC



10 CTC



Pulls, push bars and plates

Hands-free door pulls

FP100

Hands-free foot pull

- Sanitary foot opening
- Use alongside current pull for hands-free needs

Specifications

Material substrate	Rugged 1/8" thick stainless steel
Size	5" wide, 2 3/4" height, 3 1/8" projection
Mounting	Through bolts provided for secure mounting and durability

Finishes

BHMA	Description	Substrate	Finish
630	Satin Stainless Steel	Stainless steel	US32D
631	Black Painted	Stainless steel	BLK
695	Dark Bronze Painted	Stainless steel	SP313/US10BE



AP101

Hands-free arm pull

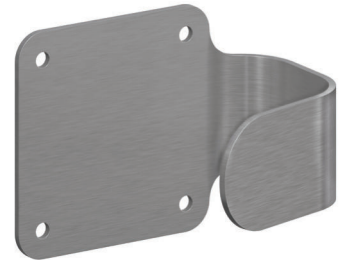
- Easy forearm opening
- Use alongside current pull for hands-free needs

Specifications

Material substrate	Rugged 1/8" thick stainless steel
Size	4" wide, 5 1/8" height, 3 7/8" projection
Mounting	Through bolts provided for secure mounting and durability

Finishes

BHMA	Description	Substrate	Finish
630	Satin Stainless Steel	Stainless steel	US32D
631	Black Painted	Stainless steel	BLK
695	Dark Bronze Painted	Stainless steel	SP313/US10BE



OTP300/OT300

Opening hand tool (plastic and steel models)

- For hands-free use with door pulls or levers

Specifications

Material substrate	<ul style="list-style-type: none">▪ OTP300 is a durable black plastic tool offered in packs of 10▪ OT300 is study 1/8" stainless steel with smooth tumbled edges
Size	2" width, 5" height

Finishes

BHMA	Description	Substrate	Finish
630	Satin Stainless Steel	Stainless steel	US32D
631	Black Painted	Stainless steel	BLK



Pulls, push bars and plates

Push, pull and protection plates

8200/8300

Push/pull plate

- 8200 Push plate
- 8300 Pull plate, prep for pull (less pull)

Specifications

Available sizes	Plates are available in .050 thick brass, stainless steel or aluminum
Material substrate	Made from aluminum, brass or stainless steel (300 Series)
Mounting hardware	<ul style="list-style-type: none"> ▪ Standard mounting package <ul style="list-style-type: none"> – #6 x ⁵/₈ Oval head screws ▪ Optional Tek/Torx package <ul style="list-style-type: none"> – #6 x ⁵/₈ Self-drilling, self-tapping screws – #6 x ⁵/₈ Torx screws
Widths and heights	<ul style="list-style-type: none"> ▪ 3" x 12" ▪ 3 1/2" x 15" ▪ 4" x 16" ▪ 6" x 16" ▪ 8" x 16"
Optional pull center to center spacing	<ul style="list-style-type: none"> ▪ For 8300 pull plates, plates are prepped with 2 ³/₈" holes for pull machining ▪ For holes prepped for G mounting hardware, consult customer service <ul style="list-style-type: none"> – 5 1/4" – 6" – 8" – 10" – 12"
Certifications	Meets ANSI/BHMA A156.6 for J301 materials

Finishes

BHMA	Description	Substrate	Finish
605	Bright Brass	Brass	US3
606	Satin Brass	Brass	US4
612	Satin Bronze	Brass	US10
613	Oil Rubbed Bronze	Brass	US10B
619	Satin Nickel	Brass	US15
625	Bright Chrome	Brass	US26
626	Satin Chrome	Brass	US26D
626-AM	Satin Chrome Antimicrobial	Brass	US26D-AM
628	Clear Anodized	Aluminum	US28
630	Satin Stainless	Stainless steel	US32D
630-AM	Satin Stainless Antimicrobial	Stainless steel	US32D-AM
631	Matte Black	Stainless steel	BLK
695	Dark Bronze Powder Coat	Stainless steel	SP313/US10BE

Note: For other colors, consult factory.

Additional information

- Specify PR when ordering a set of plates for back to back mounting
- Custom widths, heights, and special cut-outs are available as engineering special, consult customer service

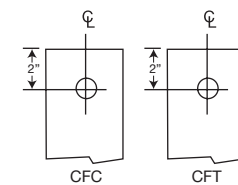
Plates cut for cylinder or thumb-turns

Plates are available with cutout for cylinder or thumb-turn; standard cutout is 2" from top and centered on plates up to 4" wide. For plates wider than 4" cutout is located 2" from outer edge, specify LH or RH. When pull location interferes with standard cutout location a detail drawing should be furnished with the order.

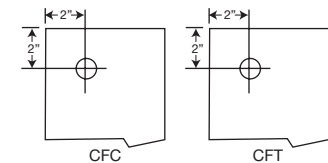
- Standard cutout is 1 1/4" for cylinder and ³/₈" for thumb-turn.
- Specify CFC for cutout for cylinder or CFT for cutout for thumb-turn.



For plates up to 4"



For plates greater than 4" (RH shown)



Pulls, push bars and plates
Push, pull and protection plates

8302

Pull plate

Specifications

Material substrate	Made from aluminum, brass or stainless steel (300 Series)
Mounting hardware	<ul style="list-style-type: none"> ▪ Heavy duty mounting hardware exceeds industry standards ▪ 5/16-18 mounting hardware ▪ Specify door thickness <ul style="list-style-type: none"> - Standard mounting hardware for door thickness of 1 1/2" to 1 3/4" unless otherwise specified - Optional package available for 2" and 2 1/4" thick doors ▪ Comes standard with through bolt screws and decorative washers. ▪ Optional mounting hardware available (see general information section for details) F, G, I, J, L ▪ Mounting hardware for other door thicknesses are available as engineering special, consult customer service ▪ Standard mounting package <ul style="list-style-type: none"> - #6 x 5/8 Oval head screws ▪ Optional Tek/Torx package <ul style="list-style-type: none"> - #6 x 5/8 Self-drilling, self-tapping screws - #6 x 5/8 Torx screws
Widths and heights	<ul style="list-style-type: none"> ▪ 3 1/2" x 15" ▪ 4" x 16" ▪ 6" x 16"
Pull center to center spacing	<ul style="list-style-type: none"> ▪ 6" ▪ 8" ▪ 10"
Certifications	Meets ANSI/BHMA A156.06

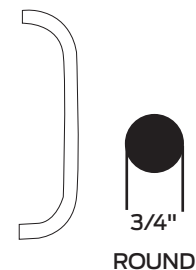
Finishes

BHMA	Description	Substrate	Finish
605	Bright Brass	Brass	US3
606	Satin Brass	Brass	US4
612	Satin Bronze	Brass	US10
613	Oil Rubbed Bronze	Brass	US10B
619	Satin Nickel	Brass	US15
625	Bright Chrome	Brass	US26
626	Satin Chrome	Brass	US26D
626-AM	Satin Chrome Antimicrobial	Brass	US26D-AM
628	Clear Anodized	Aluminum	US28
630	Satin Stainless	Stainless steel	US32D
630-AM	Satin Stainless Antimicrobial	Stainless steel	US32D-AM
631	Matte Black	Stainless steel	BLK
643e/716	Aged Bronze	Stainless steel	643e/716
695	Dark Bronze Powder Coat	Stainless steel	SP313/US10BE

Note: For other colors, consult factory.

Additional information

- Specify PR when ordering a set of pulls for back to back mounting
- Plate to pull clearance is 1 1/2"
- For one back to back machined pull, specify JSGL
- Custom widths, heights, and special cut-outs are available as engineering special, consult customer service



Introduction
Table of contents
Hinges and pivots
Pulls, push bars and plates
Flush bolts, strikes and coordinators
Latches, catches and bolts
Door stops, holders and silencers
Exterior hardware
Miscellaneous hardware

Pulls, push bars and plates

Push, pull and protection plates

8303

Pull plate

Specifications

Material substrate	Made from aluminum, brass or stainless steel (300 Series)
Mounting hardware	<ul style="list-style-type: none"> ▪ Heavy duty mounting hardware exceeds industry standards ▪ $\frac{3}{8}$-16 mounting hardware ▪ Specify door thickness <ul style="list-style-type: none"> – Standard mounting hardware for door thickness of 1 $\frac{1}{2}$" to 1 $\frac{3}{4}$" unless otherwise specified – Optional package available for 2" and 2 $\frac{1}{4}$" thick doors ▪ Comes standard with through bolt screws and decorative washers ▪ Optional mounting hardware available (see general information section for details) A, F, G, I, L, N ▪ Mounting hardware for other door thicknesses are available as engineering special, consult customer service ▪ Standard mounting package for plate <ul style="list-style-type: none"> – #6 x $\frac{5}{8}$ Oval head screws ▪ Optional Tek/Torx package <ul style="list-style-type: none"> – #6 x $\frac{5}{8}$ Self-drilling, self-tapping screws – #6 x $\frac{5}{8}$ Torx screws
Widths and heights	<ul style="list-style-type: none"> ▪ 3 $\frac{1}{2}$" x 15" ▪ 4" x 16" ▪ 6" x 16"
Pull center to center spacing	<ul style="list-style-type: none"> ▪ 8" ▪ 10"
Certifications	Meets ANSI/BHMA A156.06



ROUND

Finishes

BHMA	Description	Substrate	Finish
605	Bright Brass	Brass	US3
606	Satin Brass	Brass	US4
612	Satin Bronze	Brass	US10
613	Oil Rubbed Bronze	Brass	US10B
619	Satin Nickel	Brass	US15
625	Bright Chrome	Brass	US26
626	Satin Chrome	Brass	US26D
626-AM	Satin Chrome Antimicrobial	Brass	US26D-AM
628	Clear Anodized	Aluminum	US28
630	Satin Stainless	Stainless steel	US32D
630-AM	Satin Stainless Antimicrobial	Stainless steel	US32D-AM
631	Matte Black	Stainless steel	BLK
643e/716	Aged Bronze	Stainless steel	643e/716
695	Dark Bronze Powder Coat	Stainless steel	SP313/US10BE

Note: For other colors, consult factory.

Additional information

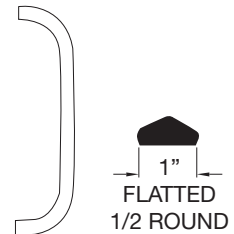
- Specify PR when ordering a set of pulls for back to back mounting
- Plate to pull clearance is 1 $\frac{1}{2}$ "
- For one back to back machined pull, specify NSGL
- Custom widths, heights, and special cut-outs are available as engineering special, consult customer service

8305

Pull plate

Specifications

Material substrate	Made from aluminum, brass or stainless steel (300 Series)
Mounting hardware	<ul style="list-style-type: none"> ▪ ¼"-20 mounting hardware ▪ Specify door thickness <ul style="list-style-type: none"> - Standard mounting hardware for door thickness of 1 ½" to 1 ¾" unless otherwise specified - Optional package available for 2" and 2 ¼" thick doors ▪ Comes standard with through bolt screws and decorative washers. ▪ Optional mounting hardware available (see general information section for details) ▪ Mounting hardware for other door thicknesses are available as engineering special, consult customer service. ▪ Standard mounting package for plate <ul style="list-style-type: none"> - #6 x 5/8" Oval head screws ▪ Optional Tek/Torx package <ul style="list-style-type: none"> - #6 x 5/8" Self-drilling, self-tapping screws - #6 x 5/8" Torx screws ▪ Plate prepped with 2 pull mounting holes spaced at 6", 8", or 10" center to center
Widths and heights	<ul style="list-style-type: none"> ▪ 3 ½" x 15" ▪ 4" x 16" ▪ 6" x 16"
Pull center to center spacing	<ul style="list-style-type: none"> ▪ 6" ▪ 8" ▪ 10"
Certifications	Meets ANSI/BHMA A156.06



Finishes

BHMA	Description	Substrate	Finish
605	Bright Brass	Brass	US3
606	Satin Brass	Brass	US4
612	Satin Bronze	Brass	US10
613	Oil Rubbed Bronze	Brass	US10B
619	Satin Nickel	Brass	US15
625	Bright Chrome	Brass	US26
626	Satin Chrome	Brass	US26D
626-AM	Satin Chrome Antimicrobial	Brass	US26D-AM
628	Clear Anodized	Aluminum	US28
630	Satin Stainless	Stainless steel	US32D
630-AM	Satin Stainless Antimicrobial	Stainless steel	US32D-AM
631	Matte Black	Stainless steel	BLK
643e/716	Aged Bronze	Stainless steel	643e/716
695	Dark Bronze Powder Coat	Stainless steel	SP313/US10BE

Note: For other colors, consult factory.

Additional information

- Plate to pull clearance is 1 ½"
- Custom widths, heights, and special cut-outs are available as engineering special, consult customer service

Pulls, push bars and plates

Push, pull and protection plates

8311

Pull plate

Specifications

Material substrate	Made from aluminum, brass or stainless steel (300 Series)
Mounting hardware	<ul style="list-style-type: none"> ▪ ¼"-20 mounting hardware ▪ Specify door thickness ▪ Standard mounting hardware for door thickness of 1 ½" to 1 ¾" unless otherwise specified <ul style="list-style-type: none"> – Optional package available for 2" and 2 ¼" thick doors ▪ Comes standard with through bolt screws and decorative washers. ▪ Optional mounting hardware available (see general information section for details) F, G ▪ Mounting hardware for other door thicknesses are available as engineering special, consult customer service ▪ Standard mounting package for plate <ul style="list-style-type: none"> – #6 x 5/8" Oval head screws ▪ Optional Tek/Torx package <ul style="list-style-type: none"> – #6 x 5/8" Self-drilling, self-tapping screws – #6 x 5/8" Torx screws ▪ Plate prepped with 2 pull mounting holes spaced at 5 ¼" center to center
Widths and heights	<ul style="list-style-type: none"> ▪ 3 ½" x 15" ▪ 4" x 16" ▪ 6" x 16"
Pull center to center spacing	5 ¼"
Certifications	Meets ANSI/BHMA A156.06



Finishes

BHMA	Description	Substrate	Finish
605	Bright Brass	Brass	US3
606	Satin Brass	Brass	US4
612	Satin Bronze	Brass	US10
613	Oil Rubbed Bronze	Brass	US10B
619	Satin Nickel	Brass	US15
625	Bright Chrome	Brass	US26
626	Satin Chrome	Brass	US26D
626-AM	Satin Chrome Antimicrobial	Brass	US26D-AM
628	Clear Anodized	Aluminum	US28
630	Satin Stainless	Stainless steel	US32D
630-AM	Satin Stainless Antimicrobial	Stainless steel	US32D-AM
631	Matte Black	Stainless steel	BLK
643e/716	Aged Bronze	Stainless steel	643e/716
695	Dark Bronze Powder Coat	Stainless steel	SP313/US10BE

Note: For other colors, consult factory.

Additional information

- Specify PR when ordering a set of pulls for back to back mounting
- Custom widths, heights, and special cut-outs are available as engineering special, consult customer service

Types of protection plates



Mop plates

- Protect the bottom of the pull side of door subject to cleaning and mopping procedures.
- Size Ranges: 4" to 6" high, 22" to 48" wide



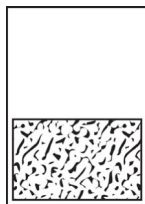
Kick plates

- Protect the bottom of the push side of doors subject to scuffing from foot traffic
- Recommended for all doors subject to normal use (especially doors using a closer)
- Size Ranges: 8" to 24" high, 22" to 48" wide



Stretcher plates

- Protect doors at specific areas where consistent contact is made by stretchers, service carts or other equipment
- Usually applied to push side of doors
- Size Ranges: 6" to 8" high, 22" to 48" wide



Armor plates

- Protect lower half of doors from abuse by hard carts, trucks and rough usage.
- Usually applied to push side of single doors and both sides of double acting doors
- Size Ranges: 26" to 48" high, 22" to 48" wide

Introduction

Table of contents

Hinges and pivots

Pulls, push bars and plates

Flush bolts, strikes and coordinators

Latches, catches and bolts

Door stops, holders and silencers

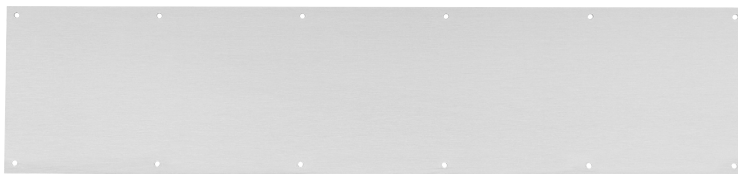
Exterior hardware

Miscellaneous hardware

Pulls, push bars and plates

Push, pull and protection plates

8400/8402



Commercial protection plates (UL and non-UL models)

- All plates, metal and plastic, come standard with four beveled edges and countersunk mounting holes (B-CS)
- Protection plates must be ordered in 1/2" increments. Available in other sizes, consult customer service
- For 8402 UL Plates, UL mark appears in upper left corner. Not available on plastic protection plates (special cutouts are not allowed on UL kick plates)

Specifications

Material substrate	<ul style="list-style-type: none"> ▪ Available in .050" thick brass, stainless steel or aluminum; and 1/8" thick high impact polyethylene in clear or black ▪ Aluminum 5005 Series, brass C26800 Series, stainless steel 300 Series, plastic
Mounting hardware	<ul style="list-style-type: none"> ▪ Standard mounting package, 16 per pack <ul style="list-style-type: none"> – #6 x 5/8" Oval head screws ▪ Optional Tek/Torx package, specify TK-TX <ul style="list-style-type: none"> – #6 x 5/8" Self-drilling, self-tapping screws – #6 x 5/8" Torx screws
Certifications	<ul style="list-style-type: none"> ▪ Meets ANSI/BHMA A156.6 for J301 ▪ UL protection plates certified to UL10C

Number of screw packs required by plate size (specify Tek screws or Torx screws)

	22"-25"	26"-33"	34"-41"	42"-48"
4"-8"	1	1	1	1
9"-16"	1	1	1	1
17"-24"	1	1	1	2
25"-32"	1	1	2	2
33"-40"	1	2	2	2
41"-48"	2	2	2	2

Options

- Specify B-NH for no mounting holes (Not available on 8402. Available only with US32D, US32, US3, US4, US28, CLR, P-BLK only)
- Specify B-NHA for no mounting holes with adhesive (Not available on 8402.)
- Specify ERS prepped with extra row of screws
- Special Cut-outs are available as engineering special, consult customer service

Finishes

BHMA	Description	Substrate	Finish	Max sizes
605	Bright Brass	Brass	US3	24" x 48"
606	Satin Brass	Brass	US4	24" x 48"
612	Satin Bronze	Brass	US10	24" x 48"
613	Oil Rubbed Bronze	Brass	US10B	36" X 46"
619	Satin Nickel	Stainless	US15	24" x 48"
625	Bright Chrome	Stainless	US26	48" X 48"
626	Satin Chrome	Brass	US26D	30" x 36"
628	Satin Aluminum	Aluminum	US28	48" x 48"
629	Bright Stainless Steel	Stainless steel	US32	48" x 48"
630	Satin Stainless Steel	Stainless steel	US32D	48" x 48"
654	Satin Stainless Steel	Stainless steel	US32D	48" x 48"
695	Dark Bronze Powder Coat	Stainless steel	SP313/US10BE	24" x 48"
BLK	Matte Black	Stainless steel	BLK	24" x 48"
P-BLK	Black	Plastic	P-BLK	48" x 48"
CLR	Clear	Plastic	CLR	48" x 48"

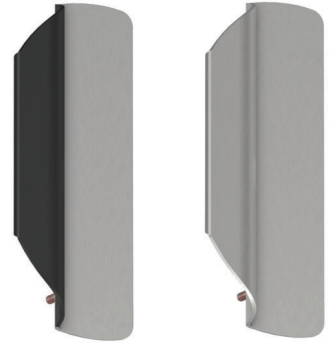
Custom finishes are available as engineering special, consult customer service

Available accessories

- Gasket tape kit tape is recommended when using a brass plate on a metal door to reduce tarnishing from electrolytic oxidation
- One tape pack will cover an the perimeters of a 8" x 34" kickplate (Order 8401 gasket tape)

Edge guards and vandal resistant trim

Ives edge guards and vandal resistant trim are often used in schools, public building, or vandal prone area and can be used in both single and double door applications. They are designed to accommodate accompanying hardware and feature array of styles and options for your application. Choose edge guards for hinge or lock side to add durability to your doorways and vandal resistant trim in various styles all made of stainless steel with steel fasteners. The built-in lock protector prevents tampering with latch bolt on certain trim models. The protective cylinder collar spins to reduce damage from pipe wrench or other tools.



Introduction

Table of contents

Hinges and pivots

Pulls, push bars and plates

Flush bolts, strikes and coordinators

Latches, catches and bolts

Door stops, holders and silencers

Exterior hardware

Miscellaneous hardware

Pulls, push bars and plates

Edge guards

General information

Ives edge guards, designed to protect the edge of the door, can be used in both single or double acting door applications. They feature 21 types including beveled, non-beveled, bull nose, overlap and astragal. There are 10 standard cutout options, available in 0.050 material in stainless steel, brass or aluminum and can be used on 1 ¾", 2" or 2 ¼" thick doors. Available with stamped UL label for fire rated applications. Edge guard lengths have a range from 12" - 120" in ½" increments.

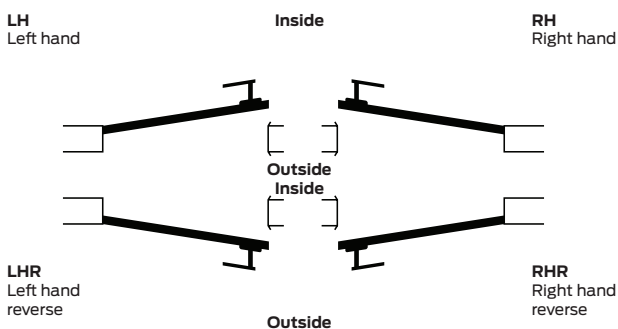
Use the Ives edge guard ordering guide to select the best edge guard model, UL, length, finish, and cutout option to fit your project needs.

Visit how to order guide: us.allegion.com/ivesedgeguardordering

Handing, door standards and options

Handing

Consider the hand of door and frame: left hand, right hand, left hand reverse, right hand reverse.



Active or inactive

If you are installing astragal type edge guards for double door applications, also consider if the door is:

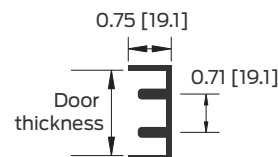
- Active: the most often used door, featuring locking hardware
- Inactive: door that stays closed and is opened on occasion to create a larger entryway

Door and material thickness

Ives edge guards can be used on standard 1 ¾" doors and are also available for 2" and 2 ¼" doors. Use the guide below to evaluate door thickness. The edge guard material thickness is .050".

Edge mount standard

Edge guards are offered with standard mounting hole placement, as shown in the diagram.

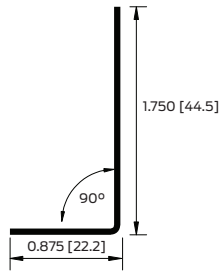


Pulls, push bars and plates

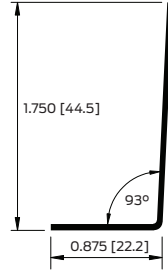
Edge guards

Mortise type

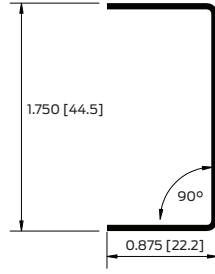
7300



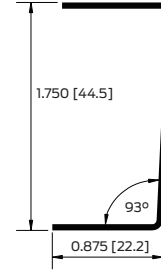
7301



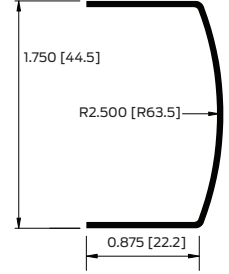
7302



7302B

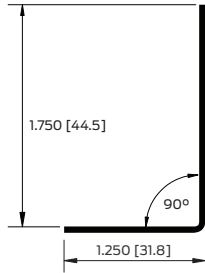


7303

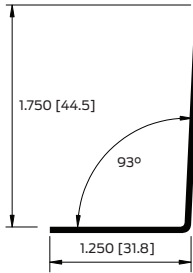


Non-mortise type

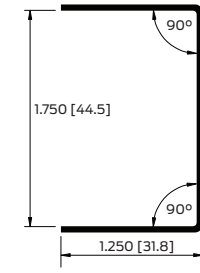
7304



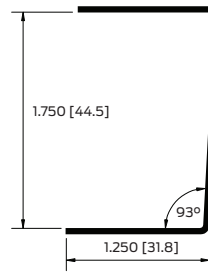
7305



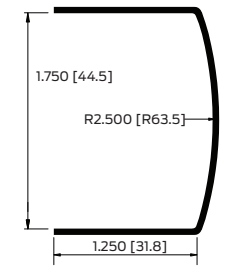
7306



7306B

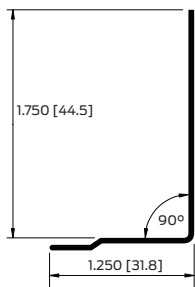


7307

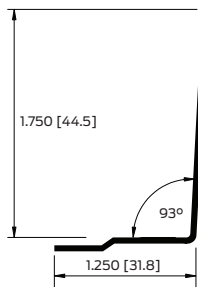


Overlapping type

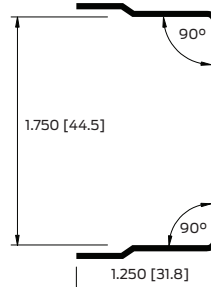
7308¹



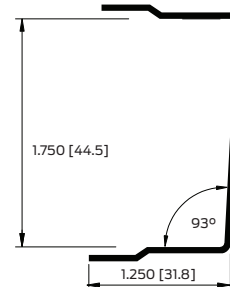
7309¹



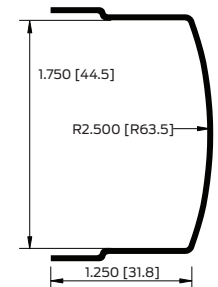
7310¹



7310B¹



7311¹



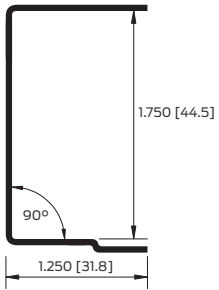
1. Material thickness of edge guard is .050".

Pulls, push bars and plates

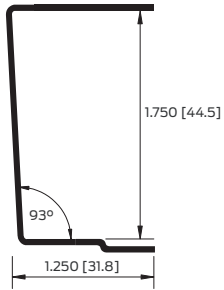
Edge guards

Semi-overlap type

7310S¹

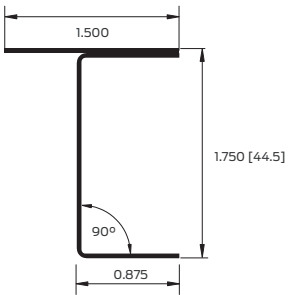


7310SB¹

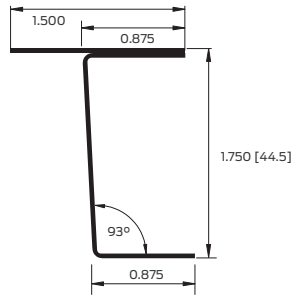


Astragal type²

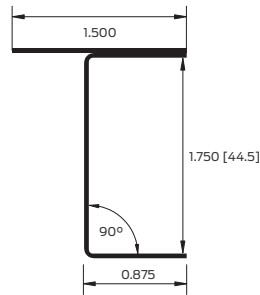
7302-A
(mortised)



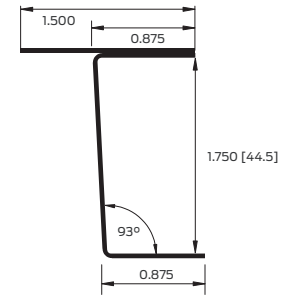
7302B-A
(mortised)



7306-A
(non-mortised)



7306B-A
(non-mortised)



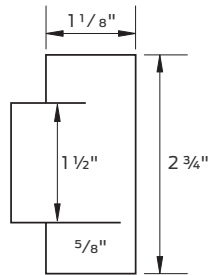
* Available in 629 and 630 finish only.

1. Material thickness of edge guard is .050".
2. Available in 629 and 630 finish only.

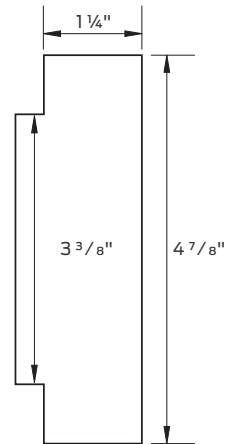
Standard cutouts

A total of 10 standard cutout options are available.

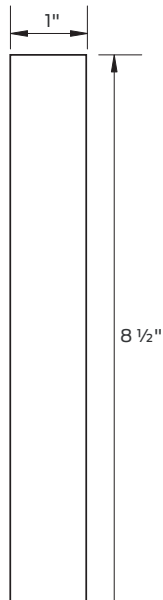
No. 1¹
Cylinder strike cutout



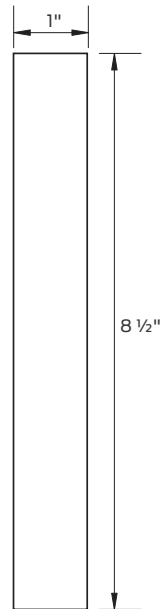
No. 2¹
ASA strike cutout



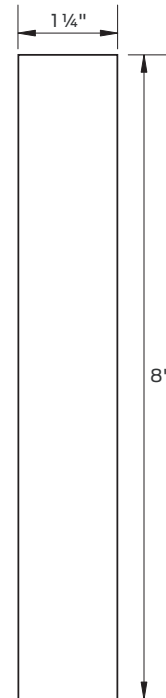
No. 3
Automatic and constant latching flush bolt cutout



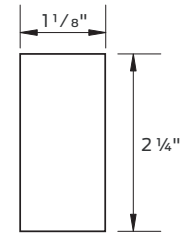
No. 4
Constant latch flush bolt-wood doors 1 x 8 1/2"



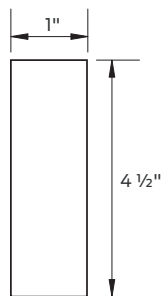
No. 5
Mortise lock cutout



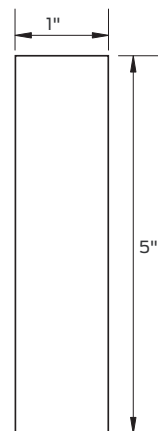
No. 6
Latch bolt cutout



No. 7
Hinge cutout



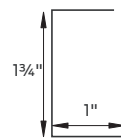
No. 8
Hinge cutout



No. 9²
Auxiliary fire latch inactive cutout

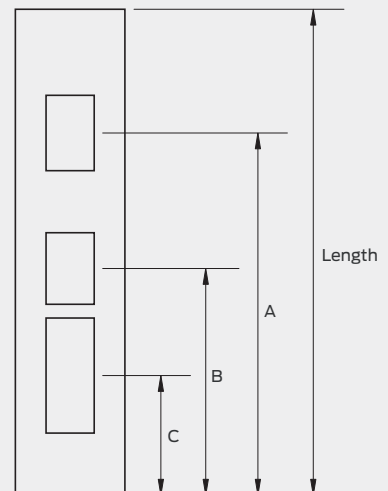


No. 10²
Auxiliary fire latch active cutout



Edge guard cutout diagram

Measure bottom of edge guard to center line (CL) of cutout



A. Cutout option A
B. Cutout option B
C. Cutout option C

1. Provided center as standard. If offset pull or offset push is required call customer care.
2. Cutouts are measured 6" bottom to center line.

Pulls, push bars and plates

Vandal resistant trim

VR810-DT/VR814-DT

Vandal resistant dummy trim (models with and without black grip)

- VR810-DT with black grip, VR814 without black grip
- Closed pull design eliminates a hooking point to be able to forcibly pull a secured door open
- Ligature resistant design
- For use with Falcon XX, 18 or 25 Series exit device
- Non-handed
- Pull operation only

Specifications

Available sizes	11 Gauge (0.120" thick)
Material substrate	304 Series stainless steel standard, exceeding industry standards for corrosion resistance. Recommended for external applications.
Mounting hardware	<ul style="list-style-type: none"> ▪ For door thickness 1³/₄-2¹/₄" <ul style="list-style-type: none"> - 10-24 X 1" and 10-24 X 1¹/₂" mounting screw size ▪ Can be mounted directly to Falcon XX, 18 and 25 exit devices ▪ Standard mounting - Welded studs fasten with pan head screws on opposite side of door ▪ Optional through bolt mounting - bolt through face of trim into device for added security

Dimensions

Product number	Width	Height	Through bolt pattern (4 holes)	Clearance grip to door	Projection
VR810DT	5 ¹ / ₄ "	11"	1 ³ / ₄ " wide x 7 ³ / ₄ " high	1 ¹ / ₂ "	1 ⁷ / ₈ "

Finishes

BHMA	Description	Substrate	Finish
630	Satin Stainless	Stainless steel	US32D

Models are available with or without attractive black plastisol edge grip.

Custom finishes are available as engineering special, consult customer service.



VR810

VR814

VR810-NL / VR814-NL

Vandal resistant night latch trim, LHR and RHR options (models with and without black grip)

- VR810-NL (LHR or RHR) with black grip, VR814-NL (LHR or RHR) without black grip
- Closed pull design eliminates a hooking point to be able to forcibly pull a secured door open
- Ligature resistant design
- For use with Falcon XX-V
- Through bolts direct to the exit device
- Night latch operation (cylinder not furnished)
- 1 5/8" cylinder hole cut-out on door, located 1 13/16" above horizontal center line and centered between mounting studs on vertical center line
- Designed for use with 1 1/4" cylinders
 - Other cylinders may require additional blocking rings, not supplied
- Supplied with protective cylinder collar
 - Collar spins to reduce damage from pipe wrench or other tool



VR810

VR814

Specifications

Available sizes	11 Gauge (0.120" thick)
Material substrate	304 Series stainless steel standard, exceeding industry standards for corrosion resistance. Recommended for external applications.
Mounting hardware	<ul style="list-style-type: none"> ▪ For door thickness 1 3/4"-2 1/4" <ul style="list-style-type: none"> - 10-24 X 1" and 10-24 X 1 1/2" mounting screw size ▪ Can be mounted directly to Falcon XX-V5 exit devices ▪ Standard mounting - Welded studs fasten with pan head screws on opposite side of door ▪ Optional through bolt mounting - bolt through face of trim into device for added security

Dimensions

Product number	Width	Height	Through bolt pattern (4 holes)	Clearance grip to door	Projection
VR810NL	5 1/4"	11"	1 3/4" wide x 7 3/4" high	1 1/2"	1 7/8"

Finishes

BHMA	Description	Substrate	Finish
630	Satin Stainless	Stainless steel	US32D

Models are available with or without attractive black plastisol edge grip.

Custom finishes are available as engineering special, consult customer service.

Pulls, push bars and plates

Vandal resistant trim

VR810-NL-V/VR814-NL-V

Vandal resistant night latch trim (models with and without black grip)

- VR810-NL-V with black grip, VR814-NL-V without black grip
- Closed pull design eliminates a hooking point to be able to forcibly pull a secured door open
- Ligature resistant design
- For use with Falcon 25-R or 25-V Series exit devices
- Through bolts direct to the exit device
- Night latch operation (cylinder not furnished)
- Non-handed, horizontal keyway
- 1 5/8" cylinder hole cut-out, on door, located at the horizontal center line 3/16" off of vertical centerline between mounting studs towards the strike edge of the door
- Designed for use with 1 1/4" cylinders
 - Other cylinders may require additional blocking rings, not supplied
- Supplied with protective cylinder collar
 - Collar spins to reduce damage from pipe wrench or other tool



VR810

VR814

Specifications

Available sizes	11 Gauge (0.120" thick)
Material substrate	304 Series stainless steel standard, exceeding industry standards for corrosion resistance. Recommended for external applications.
Mounting hardware	<ul style="list-style-type: none"> ▪ For door thickness 1 3/4"-2 1/4" <ul style="list-style-type: none"> - 10-24 X 1" and 10-24 X 1 1/2" mounting screw size ▪ Can be mounted directly to Falcon 24-R or 25-V exit devices ▪ Standard mounting - Welded studs fasten with pan head screws on opposite side of door ▪ Optional through bolt mounting - bolt through face of trim into device for added security

Dimensions

Product number	Width	Height	Through bolt pattern (4 holes)	Clearance grip to door	Projection
VR810NL-V	5 1/4"	11"	1 3/4" wide x 7 3/4" high	1 1/2"	1 7/8"

Finishes

BHMA	Description	Substrate	Finish
630	Satin Stainless	Stainless steel	US32D

Models are available with or without attractive black plastisol edge grip.

Custom finishes are available as engineering special, consult customer service.

Pulls, push bars and plates

Vandal resistant trim

VR900/VR904

Vandal resistant mortise trim, LHR and RHR options (models with and without black grip)

- VR900 (LHR or RHR) with black grip, VR904 (LHR or RHR) without black grip
- Closed pull design eliminates a hooking point to be able to forcibly pull a secured door open
- Ligature resistant design
- For use with most mortise locks on out-swinging doors including Schlage L9000 Series with interior L or N escutcheon, and rose trim
- Built-in lock protector prevents tampering
- Handed design allows trim to be positioned to coordinate with the centerline of inside hardware
- 1 1/2" cylinder hole cut-out on door, located 2 7/32" above horizontal center line and 1/4" offset from vertical center line towards the hinge side of the door
- Designed for use with 1 1/4" cylinders
 - Other cylinders may require additional blocking rings, not supplied
- Supplied with protective cylinder collar
 - Collar spins to reduce damage from pipe wrench or other tool
- Additional cut-outs and locations are available as engineering special, consult customer service



Specifications

Available sizes	11 Gauge (0.120" thick)
Material substrate	304 Series stainless steel standard, exceeding industry standards for corrosion resistance. Recommended for external applications.
Mounting hardware	<ul style="list-style-type: none">▪ For door thickness 1 3/4"-2 1/4"<ul style="list-style-type: none">– 1/4"-20 X 1 1/4" and 1/4"-20 X 1 3/4" mounting screws with countersunk washers▪ Can be mounted directly to Schlage L9000 Series▪ Standard mounting - Welded studs fasten with pan head screws on opposite side of door▪ Optional through bolt mounting - bolt through face of trim into device for added security

Dimensions

Width	Height	Through bolt pattern (4 holes)	Clearance grip to door	Projection
7 1/4"	11"	2" wide x 10" high	1 1/2"	1 7/8"

Finishes

BHMA	Description	Substrate	Finish
630	Satin Stainless	Stainless steel	US32D

Models are available with or without attractive black plastisol edge grip.

Custom finishes are available as engineering special, consult customer service.

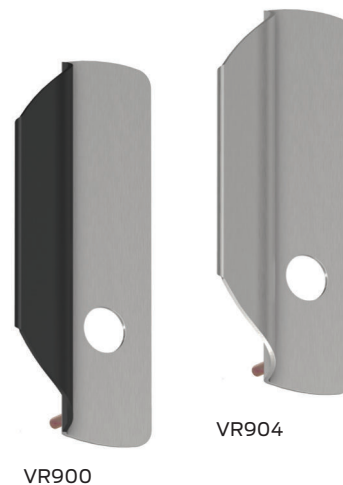
Pulls, push bars and plates

Vandal resistant trim

VR900LLP/VR904LLP

Vandal resistant mortise trim, less lock protector, LH and RH options (models with and without black grip)

- VR900LLP with black grip, VR904LLP without black grip
- Closed pull design eliminates a hooking point to be able to forcibly pull a secured door open
- Ligature resistant design
- For use with most mortise locks on in-swinging doors including Schlage L9000 Series with interior L or N escutcheon, and rose trim
- Handed design allows trim to be positioned to coordinate with the centerline of inside hardware
- 1 1/2" cylinder hole cut-out on door, located 2 7/32" above horizontal center line
- Designed for use with 1 1/4" cylinders
 - Other cylinders may require additional blocking rings, not supplied
- Supplied with protective cylinder collar
 - Collar spins to reduce damage from pipe wrench or other tool
- Additional cut-outs and locations are available as engineering special, consult customer service
- LLP= Less Lock Protector



VR900

VR904

Specifications

Available sizes	11 Gauge (0.120" thick)
Material substrate	304 Series stainless steel standard, exceeding industry standards for corrosion resistance. Recommended for external applications.
Mounting hardware	<ul style="list-style-type: none"> ▪ For door thickness 1 3/4"-2 1/4" <ul style="list-style-type: none"> – 1/4"-20 X 1 1/4" and 1/4"-20 X 1 3/4" mounting screws with countersunk washers ▪ Can be mounted directly to Schlage L9000 Series ▪ Standard mounting - Welded studs fasten with pan head screws on opposite side of door ▪ Optional through bolt mounting - bolt through face of trim into device for added security

Dimensions

Width	Height	Through bolt pattern (4 holes)	Clearance grip to door	Projection
5 1/4"	11"	1 3/4" wide x 10" high	1 1/2"	1 7/8"

Finishes

BHMA	Description	Substrate	Finish
630	Satin Stainless	Stainless steel	US32D

Models are available with or without attractive black plastisol edge grip.

Custom finishes are available as engineering special, consult customer service.

Pulls, push bars and plates

Vandal resistant trim

VR910-DT/VR914-DT

Vandal resistant dummy trim (models with and without black grip)

- VR910-DT with black grip, VR914-DT without black grip
- Closed pull design eliminates a hooking point to be able to forcibly pull a secured door open
- Ligature resistant design
- For use with Von Duprin 98/99 Series rim and vertical rod exit device
- Pull operation only
- Non-handed

Specifications

Available sizes	11 Gauge (0.120" thick)
Material substrate	304 Series stainless steel standard, exceeding industry standards for corrosion resistance. Recommended for external applications.
Mounting hardware	<ul style="list-style-type: none">▪ For door thickness 1 3/4"-2 1/4"<ul style="list-style-type: none">- 10-24 X 1" and 10-24 X 1 1/2" mounting screw size▪ Can be mounted directly to Von Duprin 98/99 device▪ Standard mounting - Welded studs fasten with pan head screws on opposite side of door▪ Optional through bolt mounting - bolt through face of trim into device for added security

Dimensions

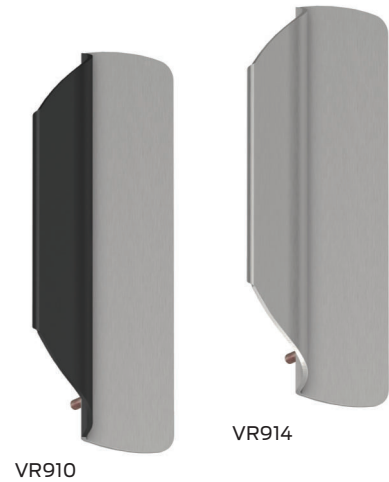
Width	Height	Through bolt pattern (4 holes)	Clearance grip to door	Projection
5 1/4"	11"	1 3/8" wide x 7" high	1 1/2"	1 7/8"

Finishes

BHMA	Description	Substrate	Finish
630	Satin Stainless	Stainless steel	US32D

Models are available with or without attractive black plastisol edge grip.

Custom finishes are available as engineering special, consult customer service.



Pulls, push bars and plates

Vandal resistant trim

VR910-NL / VR914-NL

Vandal resistant night latch trim (models with and without black grip)

- VR910-NL with black grip, VR914-NL without black grip
- Closed pull design eliminates a hooking point to be able to forcibly pull a secured door open
- Ligature resistant design
- For use with Von Duprin 98/99 Series rim and vertical rod exit device
- 1 5/8" cylinder hole cut-out on door, centered on horizontal center line and 1/4" offset from vertical center line towards the lock side of the door
- Designed for use with 1 1/4" cylinders
 - Other cylinders may require additional blocking rings, not supplied
- Supplied with protective cylinder collar
 - Collar spins to reduce damage from pipe wrench or other tool
- Additional cut-outs and locations are available as engineering special, consult customer service



VR910

VR914

Specifications

Available sizes	11 Gauge (0.120" thick)
Material substrate	304 Series stainless steel standard, exceeding industry standards for corrosion resistance. Recommended for external applications.
Mounting hardware	<ul style="list-style-type: none"> ▪ For door thickness 1 3/4"-2 1/4" <ul style="list-style-type: none"> - 10-24 X 1" and 10-24 X 1 1/2" mounting screw size ▪ Can be mounted directly to Von Duprin 98/99 device ▪ Standard mounting - Welded studs fasten with pan head screws on opposite side of door ▪ Optional through bolt mounting - bolt through face of trim into device for added security

Dimensions

Width	Height	Through bolt pattern (4 holes)	Clearance grip to door	Projection
5 1/4"	11"	1 3/8" wide x 7" high	1 1/2"	1 7/8"

Finishes

BHMA	Description	Substrate	Finish
630	Satin Stainless	Stainless steel	US32D

Models are available with or without attractive black plastisol edge grip.

Custom finishes are available as engineering special, consult customer service.

VR910M-DT/VR914M-DT

Vandal resistant mortise dummy trim (models with and without black grip)

- VR910M-DT with black grip, VR914M-DT without black grip
- Closed pull design eliminates a hooking point to be able to forcibly pull a secured door open
- Ligature resistant design
- For use with Von Duprin 9875/9975 mortise lock exit device
- Built-in lock protector prevents tampering
- Non-handed

Specifications

Available sizes	11 Gauge (0.120" thick)
Material substrate	304 Series stainless steel standard, exceeding industry standards for corrosion resistance. Recommended for external applications.
Mounting hardware	<ul style="list-style-type: none"> ▪ For door thickness 1 3/4"-2 1/4" <ul style="list-style-type: none"> - 10-24 X 1" and 10-24 X 1 1/2" mounting screw size ▪ Can be mounted directly to Von Duprin 9875/9975 device ▪ Standard mounting - Welded studs fasten with pan head screws on opposite side of door ▪ Optional through bolt mounting - bolt through face of trim into device for added security

Dimensions

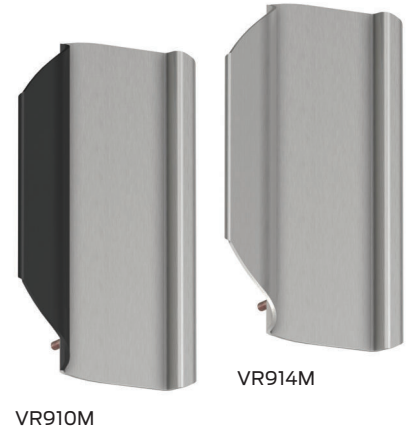
Width	Height	Through bolt pattern (4 holes)	Clearance grip to door	Projection
7 1/4"	11"	1 3/8" wide x 7" high	1 1/2"	1 7/8"

Finishes

BHMA	Description	Substrate	Finish
630	Satin Stainless	Stainless steel	US32D

Models are available with or without attractive black plastisol edge grip.

Custom finishes are available as engineering special, consult customer service.



VR910M

VR914M

- Introduction
- Table of contents
- Hinges and pivots
- Pulls, push bars and plates
- Flush bolts, strikes and coordinators
- Latches, catches and bolts
- Door stops, holders and silencers
- Exterior hardware
- Miscellaneous hardware

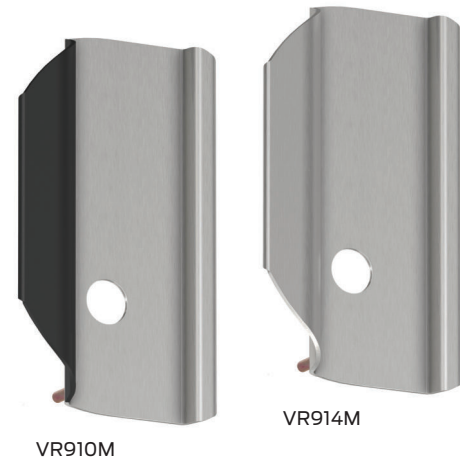
Pulls, push bars and plates

Vandal resistant trim

VR910M-NL / VR914M-NL

Vandal resistant mortise night latch trim, LHR and RHR options, (models with and without black grip)

- VR910M-NL (LHR or RHR) with black grip, VR914M-NL (LHR or RHR) without black grip
- Closed pull design eliminates a hooking point to be able to forcibly pull a secured door open
- Ligature resistant design
- For use with Von Duprin 9875/9975 mortise lock exit device
- Night latch operation (cylinder not furnished)
- Built-in lock protector prevents tampering on certain models
- Through bolts direct to the exit device
- Non-handed, horizontal keyway
- 1 5/8" cylinder hole cut-out on door, centered on horizontal center line and 1/4" offset from vertical center line towards the lock side of the door
- Designed for use with 1 1/4" cylinders
 - Other cylinders may require additional blocking rings, not supplied
- Supplied with protective cylinder collar
 - Collar spins to reduce damage from pipe wrench or other tool
- Additional cut-outs and locations are available as engineering special, consult customer service



Specifications

Available sizes	11 Gauge (0.120" thick)
Material substrate	304 Series stainless steel standard, exceeding industry standards for corrosion resistance. Recommended for external applications.
Mounting hardware	<ul style="list-style-type: none"> ▪ For door thickness 1 3/4"-2 1/4" <ul style="list-style-type: none"> – 10-24 X 1" and 10-24 X 1 1/2" mounting screw size ▪ Can be mounted directly to Von Duprin 9875/9975 device ▪ Standard mounting - Welded studs fasten with pan head screws on opposite side of door ▪ Optional through bolt mounting - bolt through face of trim into device for added security

Dimensions

Width	Height	Through bolt pattern (4 holes)	Clearance grip to door	Projection
7 1/4"	11"	1 3/4" wide x 7" high	1 1/2"	1 7/8"

Finishes

BHMA	Description	Substrate	Finish
630	Satin Stainless	Stainless steel	US32D

Models are available with or without attractive black plastisol edge grip.

Custom finishes are available as engineering special, consult customer service.

Flush pulls and sliding door pulls

Flush pulls are designed to complement sliding and pocket door applications. Flush pulls help maximize the space-saving benefits derived from installing sliding and pocket doors. Ives flush pull line has high quality pulls with upscale appearances that improve the look and feel of an interior sliding door or pocket door design. Whether standard or decorative flush pulls are needed, Ives offers various finishes, shapes, and sizes for any application.



Introduction

Table of contents

Hinges and pivots

Pulls, push bars and plates

Flush bolts, strikes and coordinators

Latches, catches and bolts

Door stops, holders and silencers

Exterior hardware

Miscellaneous hardware

Pulls, push bars and plates

Flush pulls and sliding door pulls

22

Flush pull - rectangle

- Low profile makes this pull ideal for louvered, bi-folding or wardrobe doors
- Extra deep recess and reverse tapered grip provide for ease of pulling and gripping
- Packaged with fasteners for wood applications

Specifications

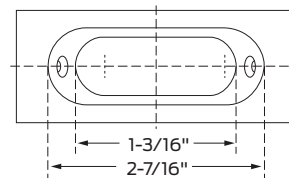
Material substrate	Made from wrought brass
Certifications	Meets ANSI/BHMA 156.9 B22201 and A156.14 D2781

Dimensions

1 ⁵ / ₁₆ " high x 3 ¹ / ₈ " wide x ⁷ / ₁₆ " deep
--

Finishes

BHMA	Description	Substrate	Finish
605	Bright Brass	Brass	B3
609	Satin Brass	Brass	B5
613	Oil Rubbed Bronze	Brass	B10B
619	Satin Nickel	Brass	B15
622	Matte Black	Brass	B-BLK
625	Bright Chrome	Brass	B26
626	Satin Chrome	Brass	B26D
—	Aged Bronze	Brass	B-643e/716



218

Flush pull - small circle

- Ideal for use on sliding doors
- Easy installation
- Packaged 4 per bag

Specifications

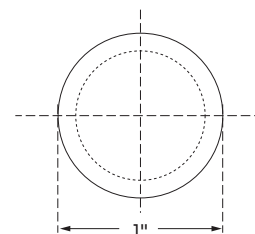
Material substrate	Made from wrought brass
Certifications	Meets ANSI/BHMA 156.9 B22201 and A156.14 D2781

Dimensions

▪ Inside cup diameter: ³ / ₄ "
▪ Overall diameter: 1"
▪ Depth: ³ / ₈ "

Finishes

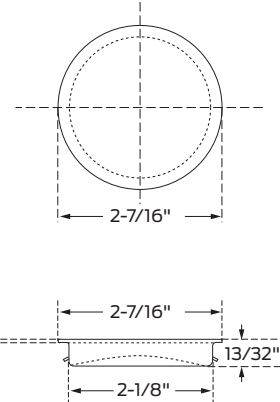
BHMA	Description	Substrate	Finish
605	Bright Brass	Brass	B3
609	Satin Brass	Brass	B5
612	Satin Bronze	Brass	B10
613	Oil Rubbed Bronze	Brass	B10B
619	Satin Nickel	Brass	B15
622	Matte Black	Brass	B-BLK
625	Bright Chrome	Brass	B26
626	Satin Chrome	Brass	B26D
—	Aged Bronze	Brass	B-643e/716



221

Flush pull - large circle

- Ideal for use on sliding doors
- Built-in prong design eliminates the need for screws or brads and facilitates installation
- Packed with two escutcheon pins for added holding power



Specifications

Material substrate	Made from wrought brass
Certifications	Meets ANSI/BHMA 156.9 B22201 and A156.14 D2781

Dimensions

- Inside cup diameter: 2 1/8"
- Overall diameter: 2 7/16"
- Depth: 7/16"

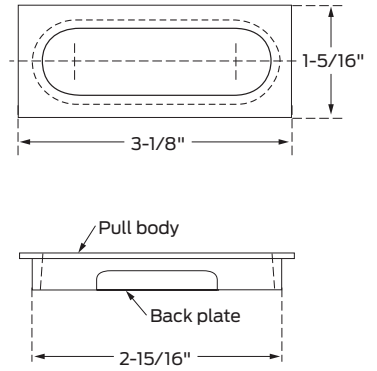
Finishes

BHMA	Description	Substrate	Finish
605	Bright Brass	Brass	B3
606	Satin Brass	Brass	B4
609	Blackened Brass	Brass	B5
612	Satin Bronze	Brass	B10
613	Oil Rubbed Bronze	Brass	B10B
619	Satin Nickel	Brass	B15
622	Matte Black	Brass	B-BLK
625	Bright Chrome	Brass	B26
626	Satin Chrome	Brass	B26D
—	Aged Bronze	Brass	B-643e/716

222

Flush pull - rectangle

- Low profile makes this pull ideal for louvered, bi-folding or wardrobe doors
- Reverse tapered grip provide for ease of pulling



Specifications

Material substrate	Made from cast brass
Certifications	Meets ANSI/BHMA 156.9 B12201 and A156.14 D1781

Dimensions

3 1/8" high x 1 5/16" wide x 15/32" deep

Finishes

BHMA	Description	Substrate	Finish
605	Bright Brass	Brass	B3
606	Satin Brass	Brass	B4
609	Blackened Brass	Brass	B5
612	Satin Bronze	Brass	B10
613	Oil Rubbed Bronze	Brass	B10B
619	Satin Nickel	Brass	B15
622	Matte Black	Brass	B-BLK
625	Bright Chrome	Brass	B26
626	Satin Chrome	Brass	B26D
—	Aged Bronze	Brass	B-643e/716

Pulls, push bars and plates

Flush pulls and sliding door pulls

223

Flush pull - oval

- Low profile makes this pull ideal for louvered, bi-folding or wardrobe doors
- Packaged with fasteners for wood applications

Specifications

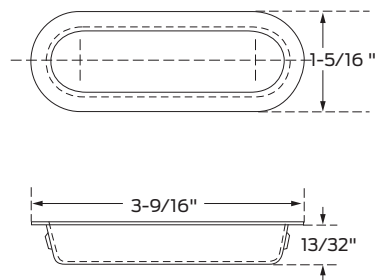
Material substrate	Made from wrought brass
Certifications	Meets ANSI/BHMA 156.9 B22201 and A156.14 D2781

Dimensions

3 9/16" high x 1 5/16" wide x 1/32" deep

Finishes

BHMA	Description	Substrate	Finish
605	Bright Brass	Brass	B3
606	Satin Brass	Brass	B4
612	Satin Bronze	Brass	B10
613	Oil Rubbed Bronze	Brass	B10B
619	Satin Nickel	Brass	B15
622	Matte Black	Brass	B-BLK
625	Bright Chrome	Brass	B26
626	Satin Chrome	Brass	B26D
—	Aged Bronze	Brass	B-643e/716



227

Flush pull - deep well

- Contoured for ease of pulling
- Extra deep well
- Packaged with fasteners for wood applications

Specifications

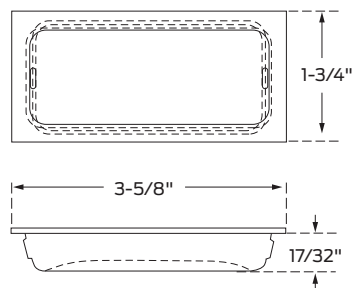
Material substrate	Made from wrought brass
Certifications	Meets ANSI/BHMA 156.9 B22201 and A156.14 D2781

Dimensions

3 5/8" high x 1 3/4" wide x 9/16" deep

Finishes

BHMA	Description	Substrate	Finish
605	Bright Brass	Brass	B3
606	Satin Brass	Brass	B4
609	Blackened Brass	Brass	B5
612	Satin Bronze	Brass	B10
613	Oil Rubbed Bronze	Brass	B10B
619	Satin Nickel	Brass	B15
622	Matte Black	Brass	B-BLK
625	Bright Chrome	Brass	B26
626	Satin Chrome	Brass	B26D
—	Aged Bronze	Brass	B-643e/716



919

Decorative flush pull - oval

- Contoured for ease of pulling
- Packaged with fasteners for wood applications - Surface #6 X 3/4" OH PH

Specifications

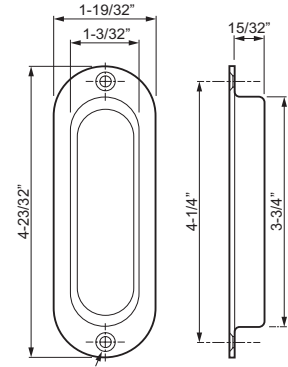
Material substrate	Made from brass
Certifications	Meets ANSI/BHMA 156.9 and A156.14

Dimensions

4 23/32" high x 1 19/22" wide x 15/32" deep

Finishes

BHMA	Description	Substrate	Finish
626	Satin Chrome	Brass	US26D



950

Decorative flush pull - rectangle

- Features a finger pocket for ease of pulling.
- Packaged with fasteners for wood applications - Concealed #6 X 3/4" OH PH

Specifications

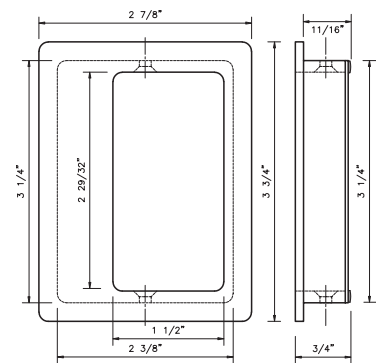
Material substrate	Made from brass
Certifications	Meets ANSI/BHMA 156.9 and A156.14

Dimensions

3 3/4" high x 2 7/8" wide x 11/16" deep

Finishes

BHMA	Description	Substrate	Finish
605	Bright brass	Brass	US3
613	Oil rubbed bronze	Brass	US10B
619	Satin nickel	Brass	US15
625	Bright chrome	Brass	US26
626	Satin chrome	Brass	US26D



Pulls, push bars and plates

Flush pulls and sliding door pulls

955

Decorative flush pull - square, deep well

- Features a finger pocket for ease of pulling
- Packaged with fasteners for wood applications - Exposed #6 X $\frac{3}{4}$ " FH PH

Specifications

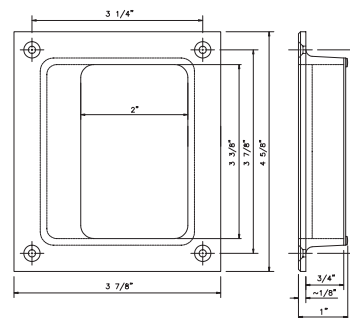
Material substrate	Made from brass
Certifications	Meets ANSI/BHMA 156.9 and A156.14

Dimensions

4 $\frac{5}{8}$ " high x 3 $\frac{7}{8}$ " wide x 1" deep

Finishes

BHMA	Description	Substrate	Finish
613	Oil Rubbed Bronze	Brass	US10B
626	Satin Chrome	Brass	US26D



960

Decorative flush pull - rectangle

- Features a finger pocket for ease of pulling
- Packaged with fasteners for wood applications - Concealed #6 X $\frac{3}{4}$ " OH PH

Specifications

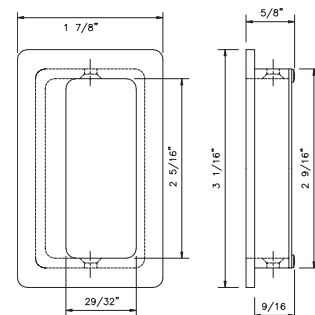
Material substrate	Made from brass
Certifications	Meets ANSI/BHMA 156.9 and A156.14

Dimensions

3 $\frac{1}{16}$ " high x 1 $\frac{7}{8}$ " wide x $\frac{9}{16}$ " deep
--

Finishes

BHMA	Description	Substrate	Finish
605	Bright brass	Brass	US3
613	Oil rubbed bronze	Brass	US10B
619	Satin nickel	Brass	US15
625	Bright chrome	Brass	US26
626	Satin chrome	Brass	US26D



962

Decorative flush pull - rectangle

- Features a finger pocket for ease of pulling
- Black painted finger pocket
- Packaged with fasteners for wood applications - Concealed #8 X $\frac{3}{4}$ " OH PH

Specifications

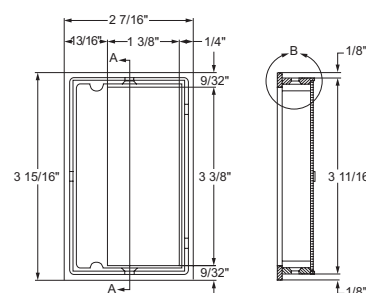
Material substrate	Made from brass
Certifications	Meets ANSI/BHMA 156.9 and A156.14

Dimensions

3 $\frac{15}{16}$ " high x 2 $\frac{7}{16}$ " wide x $\frac{19}{32}$ " deep

Finishes

BHMA	Description	Substrate	Finish
613	Oil Rubbed Bronze	Brass	US10B
626	Satin Chrome	Brass	US26D



230

Sliding door edge pull

- ¾" width allows installation on narrow as well as standard doors
- Spring automatically returns lever flush with plate
- Packaged with fasteners for wood applications

Specifications

Material substrate	Made from solid brass
Certifications	Meets ANSI/BHMA 156.14 D2801

Dimensions

3 7/8" high x ¾" wide

Finishes

BHMA	Description	Substrate	Finish
605	Bright Brass	Brass	B3
606	Satin Brass	Brass	B4
609	Blackened Brass	Brass	B5
612	Satin Bronze	Brass	B10
613	Oil Rubbed Bronze	Brass	B10B
619	Satin Nickel	Brass	B15
622	Matte Black	Brass	B-BLK
625	Bright Chrome	Brass	B26
626	Satin Chrome	Brass	B26D
—	Aged Bronze	Brass	B-643e/716



42

Pocket sliding door bolt

- Exclusive Ives design permits emergency release of bolt from outside the door
- Spring activated design allows feather-touch action
- Mounts to face of door
- Brass grommet supplied to cap release hole, protecting the door's finish
- Packaged with fasteners for wood applications

Specifications

Material substrate	Made from wrought brass
--------------------	-------------------------

Dimensions

Overall size plate: 3 1/16" high x 1 5/32" wide
Strike: 1" high x ¾" wide
Depth of mortise: 5/8"

Finishes

BHMA	Description	Substrate	Finish
605	Bright Brass	Brass	B3
606	Satin Brass	Brass	B4
609	Blackened Brass	Brass	B5
612	Satin Bronze	Brass	B10
613	Oil Rubbed Bronze	Brass	B10B
619	Satin Nickel	Brass	B15
622	Matte Black	Brass	B-BLK
625	Bright Chrome	Brass	B26
626	Satin Chrome	Brass	B26D
—	Aged Bronze	Brass	B-643e/716



Pulls, push bars and plates

Flush pulls and sliding door pulls

990/991

Sliding door pull (passage and privacy models)

- 990 passage, 991 privacy
- Fits doors 1 ³/₈" to 1 ¹/₂"
- Decorative coined edges
- Pre-assembled for doors opening left to right (plates are reversible)
- Packaged with fasteners for wood applications

Specifications

Material substrate Body and strike made from brass or aluminum

Dimensions

1 ³/₄" D x 2 ¹/₄" H

990 and 991 Finishes

BHMA	Description	Substrate	Finish
666	Bright Brass	Aluminum	A3
–	Blackened Brass	Aluminum	A5
669	Bright Nickel	Aluminum	A14
670	Satin Nickel	Aluminum	A15
702	Satin Chrome	Aluminum	A26D
–	Aged Bronze	Aluminum	A-643e/716
605	Bright Brass	Brass	B3
613	Oil Rubbed Bronze	Brass	B613
619	Satin Nickel	Brass	B619
622	Matte Black	Brass	B-BLK
625	Bright Chrome	Brass	B26
626	Satin Chrome	Brass	B26D
–	Aged Bronze	Brass	B-643e/716



990



991

25

Screen door pull

- Also used as a window lift, drawer or utility pull
- Packaged with fasteners for wood applications

Specifications

Material substrate Cast aluminum

Certifications Meets ANSI/BHMA 156.16, L12231

Dimensions

- Length 4 ⁷/₈"
- Projection 1 ⁵/₃₂"
- Mounting holes 4 ¹/₈" center to center

Finishes

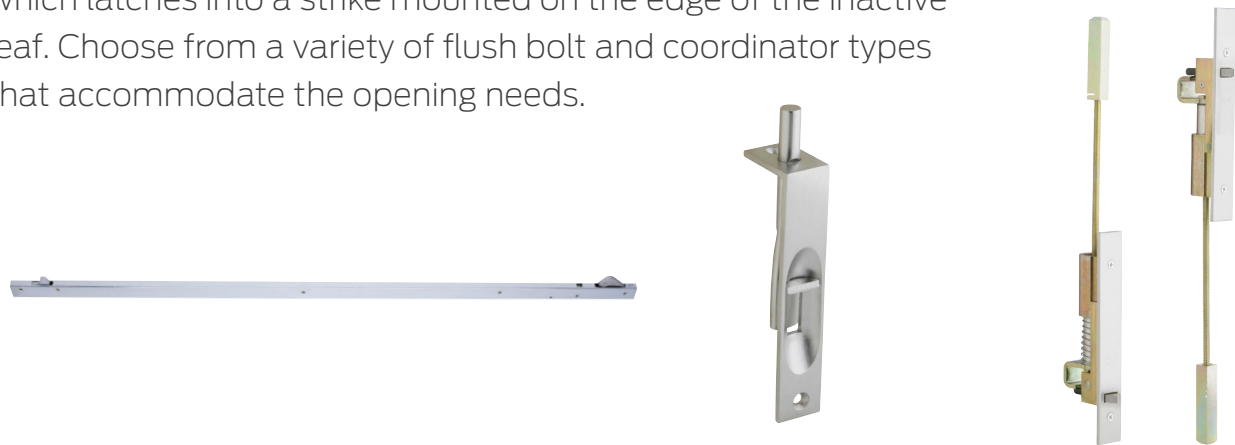
BHMA	Description	Substrate	Finish
666	Bright Brass	Aluminum	A3
673	Aluminum Clear Coat	Aluminum	A92
–	Matte Black	Aluminum	A-BLK
–	White	Aluminum	A-W

For other colors, consult factory.



Flush bolts, strikes and coordinators

Ives flush bolts, dust proof strikes, and coordinators are used on pairs of doors to secure the inactive leaf, projecting into the frame head and into a floor strike. In this application, the active leaf would typically have a lockset which latches into a strike mounted on the edge of the inactive leaf. Choose from a variety of flush bolt and coordinator types that accommodate the opening needs.



Introduction

Table of contents

Hinges and pivots

Pulls, push bars and plates

Flush bolts, strikes and coordinators

Latches, catches and bolts

Door stops, holders and silencers

Exterior hardware

Miscellaneous hardware

Flush bolts, strikes and coordinators

Automatic flush bolts

FB31P/FB31T/FB31B

Top and bottom flush bolts - metal doors

- FB31P top and bottom bolts pair
- FB31T top bolt only
- FB31B bottom bolt only
- Only for use with metal doors
- Fully automatic—inactive door is latched, bolts are extended when active door closes, door is unlatched, bolts retract when active door is opened
- Low actuation forces—top bolt has no spring tension
- Non-handed
- Bolt throw is $\frac{3}{4}$ " with a $\frac{7}{8}$ " vertical adjustment
- Bolt backset is $\frac{3}{4}$ "
- Standard rod length is 12", which is measured from the center of the flush bolt body to the bolt tip

Specifications

Mounting hardware	▪ 8-32 X $\frac{3}{8}$ " UFPHMS
	▪ 10-12 X $1\frac{1}{4}$ " Plastic anchor
	▪ 6-32 X $\frac{3}{8}$ " FPHMS
	▪ 6 X $\frac{3}{4}$ " FPHSMS
	▪ 8 X 1" FPHSMS
	▪ 10 X 1" FPHSMS

Certifications	▪ Fits standard ANSI/BHMA A115.4 door frame preparations.
	▪ UL10C Listed (3 hour) fire doors 8'0" x 10'0" when both top and bottom bolt used

Options

Optional rod lengths available for top bolt only on non-fire rated openings—18", 24", 36" and 48"

Dimensions

Body size (Width x Length x Depth)	Guide size (Width x Length x Height x Thickness)	Strike size (Width x Length x Thickness)	Rub plate size (Width x Length x Thickness)
1" x 6 $\frac{3}{4}$ " x 2"	1" x 1 $\frac{27}{32}$ " x $\frac{27}{32}$ " x $\frac{3}{32}$ "	$\frac{15}{16}$ " x 2 $\frac{1}{4}$ " x $\frac{1}{16}$ "	1 $\frac{1}{4}$ " x 1 $\frac{11}{16}$ " x $\frac{3}{64}$ "

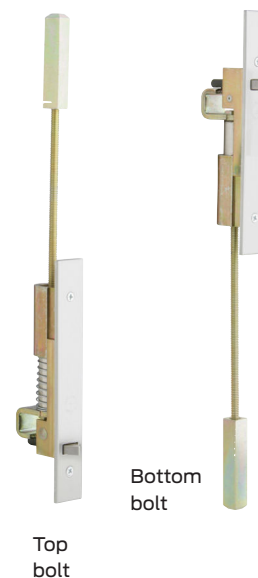
Finishes

BHMA	Description	Substrate	Finish
605	Bright brass	Brass	US3
606	Satin brass	Brass	US4
612	Satin bronze	Brass	US10
613	Oil rubbed bronze	Brass	US10B
BLK	Matte black	Stainless steel	—
629	Bright stainless steel	Stainless steel	US32
630	Satin stainless steel	Stainless steel	US32D

Custom finishes are available as engineering special, consult customer service.

Additional accessories

- Security pin screws
- DPI and DP2 dust proof strike, see page 167



FB32 / FB33

Top bolt with auxiliary fire latch - metal doors (models with and without retrofit plate)

- FB32 top bolt with auxiliary fire latch only
- FB33 top bolt with auxiliary fire latch and retrofit plate
- For use with metal doors only
- Fully automatic—inactive door is latched, bolts are extended when active door closes, door is unlatched, bolts retract when active door is opened
- FB32 Model with auxiliary fire latch eliminates the bottom bolt
- FB33 Model with auxiliary fire latch eliminates the bottom bolt and includes a retrofit plate to cover existing bottom bolt prep
- Low actuation forces—top bolt has no spring tension
- Non-handed
- Bolt throw is $3/4$ " with a $7/8$ " vertical adjustment
- Bolt backset is $3/4$ "
- Standard rod length is 12", which is measured from the center of the flush bolt body to the bolt tip

Specifications

Mounting hardware	<ul style="list-style-type: none"> ▪ 8-32 X $3/8$" UFPHMS ▪ 10-12 X $1 1/4$" Plastic anchor ▪ 6-32 X $3/8$" FPHMS ▪ 6 X $3/4$" FPHSMS ▪ 8 X 1" FPHSMS ▪ 10 X 1" FPHSMS
Certifications	<ul style="list-style-type: none"> ▪ Fits standard ANSI/BHMA A115.4 door frame preparations ▪ UL10C Listed (3 hour) fire doors 8'0" x 8'0"

Options

Optional rod lengths available for top bolt only on non-fire rated openings—18", 24", 36" and 48"

Dimensions

Body size (Width x Length x Depth)	Guide size (Width x Length x Height x Thickness)	Strike size (Width x Length x Thickness)
1" x $6 3/4$ " x 2"	1" x $1 27/32$ " x $27/32$ " x $3/32$ "	$15/16$ " x $2 1/4$ " x $1/16$ "
Rub plate size (Width x Length x Thickness)	Auxiliary fire latch size (Width x Length x Depth)	Retrofit plate size (Width x Length x Thickness)
$1 1/4$ " x $1 1/16$ " x $3/64$ "	1" x $1 3/4$ " x $3 1/4$ "	1" x $6 3/4$ " x $3/32$ "

Finishes

BHMA	Description	Substrate	Finish
605	Bright Brass	Brass	US3
606	Satin Brass	Brass	US4
612	Satin Bronze	Brass	US10
613	Oil Rubbed Bronze	Brass	US10B
BLK	Matte Black	Stainless steel	—
629	Bright Stainless Steel	Stainless steel	US32
630	Satin Stainless Steel	Stainless steel	US32D

Custom finishes are available as engineering special, consult customer service.

Additional accessories

- Security pin screws



Top bolt

Auxiliary fire latch

Flush bolts, strikes and coordinators

Automatic flush bolts

FB41P/FB41T/FB41B

Top bolt and bottom bolts - wood doors

- FB41P top and bottom bolts (pair)
- FB41T top bolt only
- FB41B bottom bolt only
- For use with wood doors only
- Fully automatic—inactive door is latched, bolts are extended when active door closes, door is unlatched, bolts retract when active door is opened
- Low actuation forces—top bolt has no spring tension
- Non-handed
- Bolt throw is $\frac{3}{4}$ " with a $\frac{7}{8}$ " vertical adjustment
- Bolt backset is $\frac{3}{4}$ "

Specifications

Mounting hardware	<ul style="list-style-type: none"> ▪ 8-32 X $\frac{3}{8}$" UFPHMS ▪ 10-12 X $1\frac{1}{4}$" Plastic anchor ▪ 6-32 X $\frac{3}{8}$" FPHMS ▪ 6 X $\frac{3}{4}$" FPHSMS ▪ 8 X 1" FPHSMS ▪ 10 X 1" FPHSMS
Certifications	<ul style="list-style-type: none"> ▪ UL10C Listed (90 min) fire doors 8'0" x 8'0" when top and bottom bolts used

Options

Optional rod lengths available for top bolt only on non-fire rated openings—18", 24", 36" and 48"

Dimensions

Body size (Width x Length x Depth)	Guide size (Width x Length x Height x Thickness)	Strike size (Width x Length x Thickness)	Rub plate size (Width x Length x Thickness)
1" x 8 $\frac{1}{2}$ " x 2"	1" x 6" x $\frac{1}{8}$ "	$\frac{15}{16}$ " x 2 $\frac{1}{4}$ " x $\frac{1}{16}$ "	1 $\frac{1}{4}$ " x 1 $\frac{11}{16}$ " x $\frac{3}{64}$ "

Finishes

BHMA	Description	Substrate	Finish
605	Bright Brass	Brass	US3
606	Satin Brass	Brass	US4
612	Satin Bronze	Brass	US10
613	Oil Rubbed Bronze	Brass	US10B
BLK	Matte Black	Stainless steel	—
629	Bright Stainless Steel	Stainless steel	US32
630	Satin Stainless Steel	Stainless steel	US32D

Custom finishes are available as engineering special, consult customer service.

Additional accessories

- Security pin screws
- DP1 and DP2 dust proof strike, see page 167



Top bolt

Bottom bolt

Flush bolts, strikes and coordinators

Automatic flush bolts

FB42

Top bolt with auxiliary fire latch - wood doors

- For use with wood doors only
- Fully automatic—inactive door is latched, bolts are extended when active door closes, door is unlatched, bolts retract when active door is opened
- FB42 Model with auxiliary fire latch eliminates the bottom bolt
- Low actuation forces—top bolt has no spring tension
- Non-handed
- Bolt throw is $\frac{3}{4}$ " with a $\frac{7}{8}$ " vertical adjustment
- Bolt backset is $\frac{3}{4}$ "

Specifications

Mounting hardware	<ul style="list-style-type: none">▪ 8-32 X $\frac{3}{8}$" UFPHMS▪ 10-12 X $1\frac{1}{4}$" Plastic anchor▪ 6-32 X $\frac{3}{8}$" FPHMS▪ 6 X $\frac{3}{4}$" FPHSMS▪ 8 X 1" FPHSMS▪ 10 X 1" FPHSMS
-------------------	--

Certifications	UL10C Listed (20 min) fire doors 8'0" x 8'0"
----------------	--

Dimensions

Body size (Width x Length x Depth)	Guide size (Width x Length x Height x Thickness)	Strike size (Width x Length x Thickness)
1" x 8 $\frac{1}{2}$ " x 2"	1" x 6" x $\frac{1}{8}$ "	$\frac{15}{16}$ " x 2 $\frac{1}{4}$ " x $\frac{1}{16}$ "
Rub plate size (Width x Length x Thickness)	Auxiliary fire latch size (Width x Length x Depth)	
1 $\frac{1}{4}$ " x 1 $\frac{11}{16}$ " x $\frac{3}{64}$ "	1" x 1 $\frac{3}{4}$ " x 3 $\frac{1}{4}$ "	

Finishes

BHMA	Description	Substrate	Finish
605	Bright Brass	Brass	US3
606	Satin Brass	Brass	US4
612	Satin Bronze	Brass	US10
613	Oil Rubbed Bronze	Brass	US10B
BLK	Matte Black	Stainless steel	—
629	Bright Stainless Steel	Stainless steel	US32
630	Satin Stainless Steel	Stainless steel	US32D

Custom finishes are available as engineering special, consult customer service.

Additional accessories

- Security pin screws



Flush bolts, strikes and coordinators

Constant latching flush bolts

FB51P/FB51T

Top bolt and bottom bolts - metal doors

- FB51P top and bottom bolts (pair)
- FB51T top bolt only
- For use with metal doors only
- Constant latching—inactive door remains latched until the active door is opened, releasing the automatic bottom bolt and then the top bolt can be manually released (inactive door will re-latch automatically when closed)
- Low actuation forces
- Non-handed
- Bolt throw is $\frac{3}{4}$ " with a $\frac{7}{8}$ " vertical adjustment
- Bolt backset is $\frac{3}{4}$ "
- Standard rod length is 12", which is measured from the center of the flush bolt body to the bolt tip

Specifications

Mounting hardware	▪ 8-32 X $\frac{3}{8}$ " UFPHMS
	▪ 10-12 X $1\frac{1}{4}$ " Plastic anchor
	▪ 6-32 X $\frac{3}{8}$ " FPHMS
	▪ 6 X $\frac{3}{4}$ " FPHSMS
	▪ 8 X 1" FPHSMS
	▪ 10 X 1" FPHSMS
Certifications	▪ Fits standard ANSI/BHMA A115.4 door frame preparations.
	▪ UL10C Listed (3 hour) fire doors 8'0" X 10'0"
	when top and bottom bolts are used

Options

Optional rod lengths available for top bolt only on non-fire rated openings—18", 24", 36" and 48"

Dimensions

Body size (Width x Length x Depth)	Guide size (Width x Length x Height x Thickness)	Strike size (Width x Length x Thickness)	Rub plate size (Width x Length x Thickness)
1" X $6\frac{3}{4}$ " X 2"	1" X $1\frac{27}{32}$ " X $\frac{1}{16}$ " X $\frac{3}{32}$ "	$\frac{15}{16}$ " X $2\frac{1}{4}$ " X $\frac{1}{16}$ "	$1\frac{1}{4}$ " X $1\frac{11}{16}$ " X $\frac{3}{64}$ "

Finishes

BHMA	Description	Substrate	Finish
605	Bright Brass	Brass	US3
606	Satin Brass	Brass	US4
612	Satin Bronze	Brass	US10
613	Oil Rubbed Bronze	Brass	US10B
BLK	Matte Black	Stainless steel	—
629	Bright Stainless Steel	Stainless steel	US32
630	Satin Stainless Steel	Stainless steel	US32D

Custom finishes are available as engineering special, consult customer service.

Additional accessories

- Security pin screws
- DPI and DP2 dust proof strike, see page 167



FB52 / FB53

Top bolt with auxiliary fire latch - metal doors (models with and without retrofit plate)

- FB52 top bolt with auxiliary fire latch only
- FB53 top bolt with auxiliary fire latch and retrofit plate
- For use with metal doors only
- Constant latching—inactive door remains latched until the active door is opened, releasing the automatic bottom bolt and then the top bolt can be manually released (inactive door will re-latch automatically when closed)
 - FB52 Model with auxiliary fire latch eliminates the bottom bolt
 - FB53 Model with auxiliary fire latch eliminates the bottom bolt and includes a retrofit plate to cover existing bottom bolt prep
- Low actuation forces
- Non-handed
- Bolt throw is $\frac{3}{4}$ " with a $\frac{7}{8}$ " vertical adjustment
- Bolt backset is $\frac{3}{4}$ "
- Standard rod length is 12", which is measured from the center of the flush bolt body to the bolt tip

Specifications

Mounting hardware	<ul style="list-style-type: none"> ▪ 8-32 X $\frac{3}{8}$" UFPHMS ▪ 10-12 X $1\frac{1}{4}$" Plastic anchor ▪ 6-32 X $\frac{3}{8}$" FPHMS ▪ 6 X $\frac{3}{4}$" FPHSMS ▪ 8 X 1" FPHSMS ▪ 10 X 1" FPHSMS
Certifications	<ul style="list-style-type: none"> ▪ Fits standard ANSI/BHMA A115.4 door frame preparations ▪ UL10C Listed (3 hour) fire doors 8'0" x 8'0"

Options

Optional rod lengths available for top bolt only on non-fire rated openings—18", 24", 36" and 48"

Dimensions

Body size (Width x Length x Depth)	Guide size (Width x Length x Height x Thickness)	Strike size (Width x Length x Thickness)
$1\frac{1}{4}$ " x $6\frac{3}{4}$ " x 2"	$1\frac{1}{4}$ " x $1\frac{27}{32}$ " x $1\frac{11}{16}$ " x $\frac{3}{32}$ "	$\frac{15}{16}$ " x $2\frac{1}{4}$ " x $\frac{1}{16}$ "
Rub plate size (Width x Length x Thickness)	Auxiliary fire latch size (Width x Length x Depth)	Retrofit plate size (Width x Length x Thickness)
$1\frac{1}{4}$ " x $1\frac{11}{16}$ " x $\frac{3}{64}$ "	$1\frac{1}{4}$ " x $1\frac{3}{4}$ " x $3\frac{1}{4}$ "	$1\frac{1}{4}$ " x $6\frac{3}{4}$ " x $\frac{3}{32}$ "

Finishes

BHMA	Description	Substrate	Finish
605	Bright Brass	Brass	US3
606	Satin Brass	Brass	US4
612	Satin Bronze	Brass	US10
613	Oil Rubbed Bronze	Brass	US10B
BLK	Matte Black	Stainless steel	—
629	Bright Stainless Steel	Stainless steel	US32
630	Satin Stainless Steel	Stainless steel	US32D

Custom finishes are available as engineering special, consult customer service.

Additional accessories

- Security pin screws



Flush bolts, strikes and coordinators

Constant latching flush bolts

FB61P/FB61T

Top bolt and bottom bolts - wood doors

- FB61P top and bottom bolts (pair)
- FB61T top bolt only
- For use with wood doors only
- Constant latching—inactive door remains latched until the active door is opened, releasing the automatic bottom bolt and then the top bolt can be manually released (inactive door will re-latch automatically when door closes)
- Low actuation forces
- Non-handed
- Bolt throw is $\frac{3}{4}$ " with a $\frac{7}{8}$ " vertical adjustment
- Bolt backset is $\frac{3}{4}$ "

Specifications

Mounting hardware	<ul style="list-style-type: none"> ▪ 8-32 X $\frac{3}{8}$" UFPHMS ▪ 10-12 X $1\frac{1}{4}$" Plastic anchor ▪ 6-32 X $\frac{3}{8}$" FPHMS ▪ 6 X $\frac{3}{4}$" FPHSMS ▪ 8 X 1" FPHSMS ▪ 10 X 1" FPHSMS
Certifications	UL10C Listed (90 min) fire doors 8'0" X 8'0"

Dimensions

Body size (Width x Length x Depth)	Guide size (Width x Length x Height x Thickness)	Strike size (Width x Length x Thickness)	Rub plate size (Width x Length x Thickness)
1" x 8 $\frac{1}{2}$ " x 2"	1" x 6" x $\frac{1}{8}$ "	$\frac{15}{16}$ " x 2 $\frac{1}{4}$ " x $\frac{1}{16}$ "	1 $\frac{1}{4}$ " x 1 $\frac{1}{16}$ " x $\frac{3}{64}$ "

Finishes

BHMA	Description	Substrate	Finish
605	Bright Brass	Brass	US3
606	Satin Brass	Brass	US4
612	Satin Bronze	Brass	US10
613	Oil Rubbed Bronze	Brass	US10B
BLK	Matte Black	Stainless steel	—
629	Bright Stainless Steel	Stainless steel	US32
630	Satin Stainless Steel	Stainless steel	US32D

Custom finishes are available as engineering special, consult customer service.

Additional accessories

- Security pin screws
- DPI and DP2 dust proof strike, see page 167



Top bolt

Bottom bolt

Flush bolts, strikes and coordinators

Constant latching flush bolts

FB62

Top bolt with auxiliary fire latch - wood doors

- For use with wood doors only
- Fully automatic—inactive door is latched, bolts are extended when active door closes, door is unlatched, bolts retract when active door is opened
 - FB62 model with auxiliary fire latch eliminates the bottom bolt
- Low actuation forces
- Non-handed
- Bolt throw is $\frac{3}{4}$ " with a $\frac{7}{8}$ " vertical adjustment
- Bolt backset is $\frac{3}{4}$ "

Specifications

Mounting hardware	<ul style="list-style-type: none">▪ 8-32 X $\frac{3}{8}$" UFPHMS▪ 10-12 X $1\frac{1}{4}$" Plastic anchor▪ 6-32 X $\frac{3}{8}$" FPHMS▪ 6 X $\frac{3}{4}$" FPHSMS▪ 8 X 1" FPHSMS▪ 10 X 1" FPHSMS
Certifications	UL10C Listed (20 min) fire doors 8'0" x 8'0"

Dimensions

Body size (Width x Length x Depth)	Guide size (Width x Length x Height x Thickness)	Strike size (Width x Length x Thickness)
1" x 8 $\frac{1}{2}$ " x 2"	1" x 6" x $\frac{1}{8}$ "	$\frac{15}{16}$ " x 2 $\frac{1}{4}$ " x $\frac{1}{16}$ "
Rub plate size (Width x Length x Thickness)	Auxiliary fire latch size (Width x Length x Depth)	
1 $\frac{1}{4}$ " x 1 $\frac{11}{16}$ " x $\frac{3}{64}$ "	1" x 1 $\frac{3}{4}$ " x 3 $\frac{1}{4}$ "	

Finishes

BHMA	Description	Substrate	Finish
605	Bright Brass	Brass	US3
606	Satin Brass	Brass	US4
612	Satin Bronze	Brass	US10
613	Oil Rubbed Bronze	Brass	US10B
BLK	Matte Black	Stainless steel	–
629	Bright Stainless Steel	Stainless steel	US32
630	Satin Stainless Steel	Stainless steel	US32D

Custom finishes are available as engineering special, consult customer service.

Additional accessories

- Security pin screws



Flush bolts, strikes and coordinators

Manual flush bolts

Exceptionally smooth working flush bolts with sharp, crisp lines. Double action spring design provides automatic holding of brass bolt in projected or retracted position, and assures ease of operation in conjunction with deep cup finger hole.

261

Flush bolt - 4"

- Made from polished cast brass
- Bolt tip is $\frac{5}{16}$ " diameter
- Bolt throw is $\frac{3}{4}$ "
- Bolt backset is $\frac{15}{32}$ "

Specifications

Mounting hardware	▪ 5 X $\frac{5}{8}$ " FPHSMS
	▪ 8 X $\frac{3}{4}$ " FPHSMS

Dimensions

Body size (Width x Length x Depth)	Strike size (Width x Length)
1" x 8 $\frac{1}{2}$ " x 2"	$\frac{15}{16}$ " x 2 $\frac{1}{4}$ " x $\frac{1}{16}$ "



262

Flush bolt - 6" square end

- Made from polished cast brass
- Bolt tip is $\frac{1}{2}$ " diameter
- Bolt throw is 1"
- Bolt backset is $\frac{15}{32}$ "

Specifications

Mounting hardware	▪ 5 X $\frac{5}{8}$ " FPHSMS
	▪ 8 X $\frac{3}{4}$ " FPHSMS

Dimensions

Body size (Width x Length x Depth)	Strike size (Width x Length)
$\frac{3}{4}$ " x 6" x 1 $\frac{1}{32}$ "	$\frac{7}{8}$ " x 1 $\frac{3}{4}$ "

A flush bolt with radiused bottom faceplate designed specifically for simple one-step router installation. Double action spring design provides automatic holding of brass bolt in projected or retracted position, and assures ease of operation in conjunction with deep cup finger hole.

265

Flush bolt - 6" round end

- Faceplate is polished solid brass; bolt is made from aluminum zinc alloy
- Bolt tip is $\frac{1}{2}$ " diameter
- Bolt throw is 1"
- Bolt backset is $\frac{1}{2}$ "

Specifications

Mounting hardware	▪ 5 X $\frac{5}{8}$ " FPHSMS
	▪ 8 X $\frac{3}{4}$ " FPHSMS

Dimensions

Body size (Width x Length x Depth)	Strike size (Width x Length)
$\frac{3}{4}$ " x 6" x 1 $\frac{7}{16}$ "	$\frac{7}{8}$ " x 1 $\frac{3}{4}$ "



261, 262 and 265 Finishes

BHMA	Description	Substrate	Finish
605	Bright Brass	Brass	US3
609	Satin Brass, Blackened	Brass	US5
613	Oil Rubbed Bronze	Brass	US10B
619	Satin Nickel	Brass	US15
625	Bright Chrome	Brass	US26
626	Satin Chrome	Brass	US26D

Custom finishes are available as engineering special, consult customer service.

FB358

Top or bottom bolts - wood doors

- When the active door is opened, the lever can be moved to the 'up' position, retracting the bolt and allowing the inactive leaf to be opened
 - When the inactive leaf is closed, the lever can be moved to the 'down' position, projecting the bolt into the strike and securely locking the inactive leaf
- Reduces installation costs; requires only simple router mortise at top and bottom corners of doors
- Door strength and rigidity maintained by tying door faces to reinforcing extensions on guide with machine screws and bearing washers, not supplied
- Non-handed
- Bolt tip 1/2" diameter
- Bolt throw is 3/4" with a 7/8" vertical adjustment
- Bolt backset is 3/4"
- Not available for rabbeted door installations



Specifications

Mounting hardware	<ul style="list-style-type: none"> 8 X 1" FPHSMS 8 X 3/4" FPHSMS
Certifications	UL10C Listed (90 min) fire doors 8'0" X 10'0" (fire rated openings require top and bottom bolt)

Dimensions

Body size (Width x Length x Depth)	Guide size (Width x Length x Height x Thickness)	Strike size (Width x Length x Thickness)
1" x 6 3/4" x 1 3/8"	1" x 2 1/2" x 5/64"	15/16" x 2 1/4" x 5/64"

Finishes

BHMA	Description	Substrate	Finish
605	Bright Brass	Brass	US3
606	Satin Brass	Brass	US4
612	Satin Bronze	Brass	US10
613	Oil Rubbed Bronze	Brass	US10B
619	Satin Nickel	Brass	US15
622	Matte Black	Brass	BLK
625	Bright Chrome	Brass	US26
626	Satin Chrome	Brass	US26D
643e/716	Aged Bronze	Brass	-

Custom finishes are available as engineering special, consult customer service.

Additional accessories

- DP1 and DP2 dust proof strike, see page 167

Flush bolts, strikes and coordinators

Manual flush bolts

FB457

Top or bottom bolts - metal doors

- When the active door is opened, the lever can be moved to the 'up' position, retracting the bolt and allowing the inactive leaf to be opened
 - When the inactive leaf is closed, the lever can be moved to the 'down' position, projecting the bolt into the strike and securely locking the inactive leaf
- Simplified installation in metal frames
 - Round bolt head requires only a punched hole
 - Use of strike optional
 - Special design of guide and flat sided bolt tip to prevent bolt rotation
- Non-handed
- Bolt tip $\frac{1}{2}$ " diameter
- Bolt throw is $\frac{3}{4}$ " with a $\frac{7}{8}$ " vertical adjustment
- Bolt backset is $\frac{3}{4}$ "
- Standard rod length is 12", which is measured from the center of the flush bolt body to the bolt tip

Specifications

Mounting hardware	8-32 X 1" FPHMS
Certifications	UL10C Listed (3 hour) fire doors 8'0" X 10'0" (fire rated openings require top and bottom bolt)

Options

Optional rod lengths available for top bolt only on non-fire rated openings—18", 24" for fire rated doors with AHJ approval, 36" and 48" for non-fire rated doors

Dimensions

Body size (Width x Length x Depth)	Guide size (Width x Length x Height x Thickness)	Strike size (Width x Length x Thickness)
$1\frac{1}{4}" \times 6\frac{3}{4}" \times 1\frac{1}{8}"$	$1" \times 2" \times \frac{5}{64}"$	$\frac{15}{16}" \times 2\frac{1}{4}" \times \frac{5}{64}"$

Finishes

BHMA	Description	Substrate	Finish
605	Bright Brass	Brass	US3
606	Satin Brass	Brass	US4
612	Satin Bronze	Brass	US10
613	Oil Rubbed Bronze	Brass	US10B
619	Satin Nickel	Brass	US15
622	Matte Black	Brass	BLK
625	Bright Chrome	Brass	US26
626	Satin Chrome	Brass	US26D
643e/716	Aged Bronze	Brass	—

Custom finishes are available as engineering special, consult customer service.

Additional accessories

- DP1 and DP2 dust proof strike, see page 167



FB458

Top or bottom bolts - metal doors

- When the active door is opened, the lever can be moved to the ‘up’ position, retracting the bolt and allowing the inactive leaf to be opened
 - When the inactive leaf is closed, the lever can be moved to the ‘down’ position, projecting the bolt into the strike and securely locking the inactive leaf
- Simplified installation in metal frames
 - Round bolt head requires only a punched hole
 - Use of strike optional
 - Special design of guide and flat sided bolt tip to prevent bolt rotation
- Non-handed
- Bolt tip 1/2" diameter
- Bolt throw is 3/4" with a 7/8" vertical adjustment
- Bolt backset is 3/4"
- Standard rod length is 12", which is measured from the center of the flush bolt body to the bolt tip

Specifications

Mounting hardware	8-32 X 1" FPHMS
Certifications	UL10C Listed (3 hour) fire doors 8'0" X 10'0" (fire rated openings require top and bottom bolt)

Options

Optional rod lengths available for top bolt only on non-fire rated openings—18", 24" for fire rated doors with AHJ approval, 36" and 48" for non-fire rated doors

Dimensions

Body size (Width x Length x Depth)	Guide size (Width x Length x Height x Thickness)	Strike size (Width x Length x Thickness)
1" x 6 3/4" x 1 1/8"	1" x 2" x 5/64"	15/16" x 2 1/4" x 5/64"

Finishes

BHMA	Description	Substrate	Finish
605	Bright Brass	Brass	US3
606	Satin Brass	Brass	US4
609	Satin Brass, Blackened	Brass	US5
612	Satin Bronze	Brass	US10
613	Oil Rubbed Bronze	Brass	US10B
619	Satin Nickel	Brass	US15
622	Matte Black	Brass	BLK
625	Bright Chrome	Brass	US26
626	Satin Chrome	Brass	US26D
643e/716	Aged Bronze	Brass	—

Custom finishes are available as engineering special, consult customer service.

Additional accessories

- DP1 and DP2 dust proof strike, see page 167



Flush bolts, strikes and coordinators

Dust proof strikes

DP1/DP2

Dust proof strike

- DP1 - round face plate
- DP2 - rectangular face plate
- Designed for use with the bottom bolt of all flush bolts
- Spring-loaded plunger returns to floor or threshold level anytime flush bolt is retracted, eliminating need to clean standard floor strikes
- Strike hole is $\frac{3}{4}$ " diameter and $1\frac{1}{8}$ " deep

Specifications

Mounting hardware 8-32 X 1" FPHMS

Dimensions

DP1 face plate (Diameter)	DP2 face plate (Width x Length x Thickness)	Body (Diameter x Depth)
$1\frac{7}{16}$ "	$1\frac{5}{8}$ " x $3\frac{1}{2}$ " x $\frac{1}{8}$ "	$1\frac{3}{16}$ " x $1\frac{7}{8}$ "

Finishes

BHMA	Description	Substrate	Finish
605	Bright Brass	Brass	US3
606	Satin Brass	Brass	US4
612	Satin Bronze	Brass	US10
613	Oil Rubbed Bronze	Brass	US10B
619*	Satin Nickel	Brass	US15
622*	Matte Black	Brass	BLK
625	Bright Chrome	Brass	US26
626	Satin Chrome	Brass	US26D
643e/716*	Aged Bronze	Brass	-

*Finishes only available with DP2

Custom finishes are available as engineering special, consult customer service.

Additional accessories

- Security pin screws



DP1



DP2

How to order

COR size	Finish	Filler bar	Device cutout	Active door size
1	2	3	4	5
32	626	FL20	N/A	4 x 16

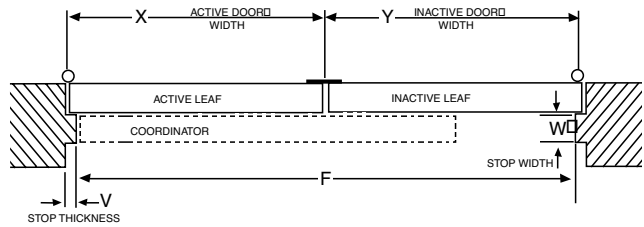
Detail

1 COR size		
32		
42		
52		
60		
72		
2 Finish		
BHMA	Description	Finish
626	Satin Chrome	US26D
628	Satin Aluminum, Clear Anodized	US28
711	Black Anodized	315AN

3 Filler bar (if desired)	
FL20	
FL32	
FL44	
4 Vertical rod exit device cutout (if applicable)	
A, B, C, D, E, F, G	
If other vertical rod exit device not listed on chart from page 167, then include information as shown on page 167.	
5 Active door size	
Required for all vertical rod exit device applications	

To determine the size COR you need:

- Start with the active door width (X)
- Next consider the overall frame opening between stops (F)
- Preferably, the coordinator would equal the active door width (X) + approximately 1/2 inactive door width (Y). The coordinator must be 6" longer than the active door width (X) and less than the overall frame opening between stop (F).



Examples:

- Pair of 30" doors, 5/8" stops
 Active door size, X = 30"
 Overall frame opening between stops, F = 58-3/4"
 Recommended coordinator: COR42
- Pair of 36" doors, 5/8" stops
 Active door size, X = 36"
 Overall frame opening between stops, F = 70-3/4"
 Recommended coordinator: COR52
- 36" Active door, 18" Inactive door, 5/8" stops
 Active door size, X = 36"
 Overall frame opening between stops, F = 52-3/4"
 Recommended coordinator: COR42
- 48" Active door, 24" Inactive door, 5/8" stops
 Active door size, X = 48"
 Overall frame opening between stops, F = 94-3/4"
 Recommended coordinator: COR60

Introduction
Table of contents
Hinges and pivots
Pulls, push bars and plates
Flush bolts, strikes and coordinators
Latches, catches and bolts
Door stops, holders and silencers
Exterior hardware
Miscellaneous hardware

Flush bolts, strikes and coordinators

Coordinators, filler bars and mounting brackets

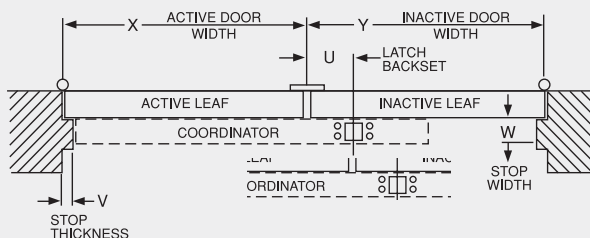
Special factory preparation for use with vertical rod exit devices

Coordinators may need to be prepared at the factory for use with some surface or concealed vertical rod exit devices (see chart).

Exit device manufacturer	Exit device number	Device backset	Maximum active door	Coordinator size needed	Coordinator cutout type	Mounting bracket needed					
Von Duprin	5547-F	2 3/8"	33"	42"	Type A	None					
			43"	52"							
			51"	60"							
			63"	72"							
Von Duprin	8827-F	2 3/4"	33"	42"	Type B	MB1V, MB2V or MB3V see page 176					
			43"	52"							
			51"	60"							
			63"	72"							
Von Duprin	8847-F	2 3/8"	33"	42"	Type C	None					
			43"	52"							
			51"	60"							
			63"	72"							
Von Duprin	33/3547 33/3547-F 98/9947 98/9947-F	2 3/4"	33"	42"	Type D	None					
			43"	52"							
			51"	60"							
			64"	72"							
Von Duprin	33/3548 33/3548-F 98/9948 98/9948-F	2 3/4"	33"	42"	Type D	None					
			43"	52"							
			51"	60"							
			64"	72"							
Von Duprin	33/3547WDC 33/3547WDC-F 98/9947WDC 98/9947WDC-F	1 5/16"	33"	42"	Type E	None					
			43"	52"							
			51"	60"							
			66"	72"							
Falcon	17-C F-17-C 18-C F-18-C XX-C F-XX-C 24-C F-24-C 25-C F-25-C	2 3/4"	33"	42"	Type F	None					
			43"	52"							
			51"	60"							
			63"	72"							
			Falcon	17-C -WDC F-17-C -WDC 18-C -WDC F-18-C -WDC XX-C -WDC F-XX-C -WDC 24-C -WDC F-24-C -WDC 25-C -WDC F-25-C -WDC			2 13/16"	33"	42"	Type G	None
								43"	52"		
								51"	60"		
								63"	72"		

If the exit device is not listed the following information is needed:

- Exit device manufacturer and model number
- Active door size, "X"
- Inactive door size, "Y"
- Exit device backset, "U"
- Stop width, "W"
- Stop thickness if other than 5/8", "V"



COR

Bar coordinators

- The COR Series coordinators are designed for use on pairs of doors when one door needs to close before the other
- All COR units function easily; the active door lever, located nearest to the active stop, holds the active door open until the trigger mechanism is released by the closing of the inactive leaf
- All COR units do not function correctly with swing-clear hinges (consult factory when used with 3/4" offset pivots)
- All COR units are equipped with an adjustable override feature which allows the active door to close under extreme pressure
- All COR units are compatible with flush bolts
- For openings where doors are unequal size
 - The coordinator length should equal the active door width plus approximately half the inactive door width
 - The coordinator must be 6" longer than the active door width and shorter than the overall frame opening between stops
- The COR Series does not cover the entire length of the stop, so a FL filler bar can be provided to maintain architecturally clean lines

Specifications

Material substrate	Aluminum 6000 Series
Certifications	<ul style="list-style-type: none"> ▪ Meets ANSI/BHMA A156.3 Type 21A ▪ UL Listed for installation on labeled frame

Sizes (available in five sizes for variable door opening widths)

Coordinator number	Length of channel	For opening widths	Common applications
COR32	32"	34" - 52"	Pair of 2'0" doors
COR42	42"	52" - 72"	Pair of 2'6" doors
COR52	52"	62" - 92"	Pair of 3'0" doors
COR60	60"	70" - 108"	Pair of 3'6" doors
COR72	72"	84" - 132"	Pair of 4'0" doors

Options

- Optional filler bars: FL20 - 20", FL32 - 32" and FL44 - 44", available to maintain clean line
- Security pin screws
- Special prep cut-outs: Required for certain vertical exit device applications (see page 169 for common examples)
 - If other vertical rod exit device not listed on chart is required, include required information as shown on page 169 (consult customer service for other applications)

Finishes

BHMA	Description	Substrate	Finish
628	Satin Aluminum, Anodized	Aluminum	US28
711	Black Anodized	Aluminum	315AN
713	Satin Chrome, Anodized	Aluminum	–

Custom finishes are available as engineering special, consult customer service.

Available accessories

- Optional mounting brackets available: MB1, MB2, MB1F, MB2F, MB3F, MB1V, MB2V and MB3V for other stop applied hardware
- Security pin screws
- Replacement mounting package
- Replacement rub plate package



Flush bolts, strikes and coordinators

Coordinators, filler bars and mounting brackets

FL

Filler bars

- The COR Series does not cover the entire length of the stop, so a FL filler bar can be provided to maintain architecturally clean lines
- The FL filler bars are available in three sizes for variable frame openings
- FL filler bars are field sized to frame opening

Specifications

Material substrate	Aluminum 6000 Series
Certifications	<ul style="list-style-type: none"> ▪ Meets ANSI/BHMA A156.3 Type 21A ▪ UL Listed for installation on labeled frame

Sizes (available in five sizes for variable door opening widths)

Filler Bar number	Length	Dimensions (Width X Depth X Length)
FL20	20"	1 5/8" x 5/8" x 20"
FL32	32"	1 5/8" x 5/8" x 32"
FL44	44"	1 5/8" x 5/8" x 44"

Finishes

BHMA	Description	Substrate	Finish
628	Satin Aluminum, Anodized	Aluminum	US28
711	Black Anodized	Aluminum	315AN
713	Satin Chrome, Anodized	Aluminum	—

Custom finishes are available as engineering special, consult customer service.

Available accessories

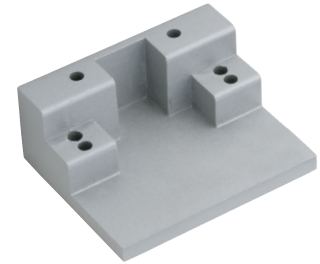
- Security pin screws



MB1/MB2

Mounting brackets

- Allows stop mounted hardware to be properly installed without damaging the COR coordinator, such as a parallel arm closer or a non-fire-rated surface vertical rod strike
- Stop mounted hardware will need to be lowered to compensate for the height of the coordinator and mounting bracket



Specifications

Material substrate	Aluminum A380
Certifications	Meets ANSI/BHMA A156.3 Type 21A

Sizes

Product	Jamb depth	Stop width	Dimensions
MB1	4 3/4" Min	Over 2 1/2"	4" W x 3" D x 1 5/16" T
MB2	4 3/4" Min	Up to 2 1/2"	4" W x 3 1/4" D x 1 5/8" T

Finishes

BHMA	Description	Substrate	Finish
600	Primed for paint	Aluminum	USP
-	Flat Black Painted	Aluminum	BLK
689	Aluminum Painted	Aluminum	SP28

Custom finishes are available as engineering special, consult customer service.

MB1F/MB2F/MB3F, MB1V/MB2V/MB3V

Mounting brackets

- Allows for stop mounted hardware to be properly installed without damaging the COR coordinators, such as surface vertical rod exit device strikes
- Latch will need to be lowered to compensate for the height of the coordinator and mounting bracket
- MB-V are designed for Von Duprin 8827-F soffit latch



Specifications

Material substrate	Cold rolled steel
Certifications	Meets ANSI/BHMA A156.3 Type 21A

Sizes

Product	Jamb depth	Stop width	Dimensions
MB1F	5"	1 1/2" - 2 1/4"	4" W x 3" D x 1 5/8" T
MB1V	5"	1 1/2" - 2 1/4"	4" W x 3" D x 1 5/8" T
MB2F	5 7/8"	2 3/8" - 3 1/4"	4" W x 3" D x 1 5/8" T
MB2V	5 7/8"	2 3/8" - 3 1/4"	4" W x 3" D x 1 5/8" T
MB3F	6 7/8"	Over 3 3/8"	4" W x 3 1/2" D x 1" T
MB3V	6 7/8"	Over 3 3/8"	4" W x 3 1/2" D x 1" T

Finishes

BHMA	Description	Substrate	Finish
600	Primed for paint	Steel	USP
-	Flat Black Painted	Steel	BLK
689	Aluminum Painted	Steel	SP28

Custom finishes are available as engineering special, consult customer service.

Flush bolts, strikes and coordinators

Coordinators, filler bars and mounting brackets

COR7G/COR9G

Gravity coordinators

- When active door is open, coordinator prevents active door from closing until inactive door bypasses
 - Closing of inactive door causes strike plate on top of door to contact cam and lift arm, allowing active door to close
 - As inactive door continues closing, roller rides over strike plate on to door bracket, holding arm above active door
- Non-handed
- Gravity action arm and door bracket are adjustable on the job for ease of installation (rubber roller provides quiet and efficient operation, and helps protect the astragal and doors from damage)
- Nylon roller on short arm glides smoothly over door bracket and strike, ensuring silent operation.

Specifications

Available sizes	<ul style="list-style-type: none"> COR7G 7" projection - for use on pairs of doors with astragal on active door up to 4' or with astragal on inactive door up to 3'4" or with astragal on both doors up to 2'10" COR9G 9" projection - for use on pairs of doors with astragal on active over 4' or with astragal on inactive door over 3'4" or with astragal on both doors over 2'10"
Material substrate	Forged brass
Mounting hardware	8-32 X 1" FPHMS
Certifications	<ul style="list-style-type: none"> Meets ANSI/BHMA A156.3 Type 21B UL Listed for fire doors

Finishes

BHMA	Description	Substrate	Finish
605	Bright Brass	Brass	US3
606	Satin Brass	Brass	US4
612	Satin Bronze	Brass	US10
613	Oil Rubbed Bronze	Brass	US10B
625	Bright Chrome	Brass	US26
626	Satin Chrome	Brass	US26D

Custom finishes are available as engineering special, consult customer service.

Available accessories

- Security pin screws
- Replacement mounting package
- Replacement roller and bolt package
- Replacement rubber roller and pin package
- Replacement rub plate package

CBI

Carry bar

- Used when it is possible for the inactive door to be opened before the active door
- Prevents damage to the doors and other hardware
- Nylon roller insures quiet and efficient operation
- Non-handed
- Standard through bolts for mounting

Specifications

Material substrate	All-steel construction
Certifications	Meets ANSI/BHMA A156.3 Type 21A

Dimensions

Door closed	Door open
1 5/8" X 5 3/4"	1 5/8" X 2 1/2"

Finishes

BHMA	Description	Substrate	Finish
600	Primed for paint	Steel	USP
632	Bright Brass	Steel	US3
633	Satin Brass	Steel	US4
639	Satin Bronze	Steel	US10
640	Dark Satin Bronze	Steel	US10B
651	Bright Chrome	Steel	US26
652	Satin Chrome	Steel	US26D
-	Flat Black Coated	Steel	BLK

Custom finishes are available as engineering special, consult customer service.

Available accessories

- Security pin screws
- Replacement nylon roller and pin package



Latches, catches and bolts

Ives has multiple roller latches and catches that assure a door will stay closed when not in use. These accessories will not keep a door secure and are not meant for security applications; they only help keep a door closed. Ives also offers a variety of surface bolts and door guards to provide an additional security level.



Introduction

Table of contents

Hinges and pivots

Pulls, push bars and plates

Flush bolts, strikes and coordinators

Latches, catches and bolts

Door stops, holders and silencers

Exterior hardware

Miscellaneous hardware

Latches, catches and bolts

Surface bolts

SB360

Surface bolt

- Surface bolt has 1 1/4" throw for maximum security
- Jimmy-resistant design, bolt locks automatically when thrown, can be released only by pressing knob toward door while retracting
- Ideal for all types of doors
- Available in 12" length
- Unit locks in both the up and down position
- Accepts padlock (not furnished) with maximum 3/8" diameter shackle, minimum 1 3/4" shackle opening height
- Units packed with one-way wood screws for added security
 - Standard wood screws also supplied
- Units packed with a universal top strike (US)

Specifications

Material substrate	Heavy duty steel		
Certifications	<ul style="list-style-type: none"> ▪ Meets ANSI/BHMA A156.16 ▪ UL10C Listed (3 hour) fire doors up to 10'0" ▪ Miami Dade County NOA listed 	<ul style="list-style-type: none"> ▪ Florida Building Commission listed ▪ FEMA 361 and 320 listed 	

Dimensions

Bar	Overall width	Overall projection	Top strike	Available mortise strike
3/4" W x 3/4" T	2 1/32"	2 1/16"	1 1/2" W x 1 1/2" L x 3/16" T	1 5/8" W x 3 1/2" L x 1/8" T

Finish

BHMA	Description	Substrate	Finish
604	Clear Zinc	Steel	US2C

Available accessories

- Through bolt
- Mortise bottom strike (MS)

SB453

Surface bolt

- Surface bolt has 1 3/16" throw for maximum security
- Strong tension springs prevent creep
- Ideal for all types of doors
- Available 8" and 12" lengths
- Units packed with standard wood screws and machine screws to meet most field conditions
- Units packed with both a universal top strike (US) and a mortise bottom strike (MS)

Specifications

Material substrate	Heavy duty steel		
Certifications	<ul style="list-style-type: none"> ▪ Meets ANSI/BHMA A156.16 L84161 ▪ UL10C Listed (3 hour) fire doors up to 10'0" 		

Dimensions

Bar	Overall width	Overall projection	Top strike	Bottom strike
3/4" W x 3/4" T	2 1/32"	1 5/16"	1 1/2" W x 1 1/2" L x 3/16" T	1 5/8" W x 3 1/2" L x 1/8" T

Finishes

BHMA	Description	Substrate	Finish
604	Clear Zinc	Steel	US2C
631	Matte Black	Steel	BLK
632*	Bright Brass	Steel	US3
633*	Satin Brass	Steel	US4
639	Satin Bronze	Steel	US10
640	Oil Rubbed Bronze	Steel	US10B
643e/716	Aged Bronze	Steel	643e/716
646	Satin Nickel	Steel	US15
652	Satin Chrome	Steel	US26D

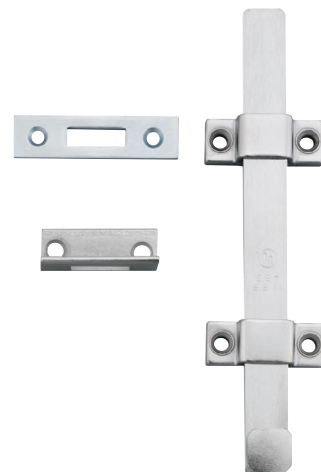
* Only available in 8" bolt length. For other colors, consult factory.

Available accessories

- Through bolt
- Through bolts (machine screws with cap nuts) not intended for use as security screws



Available mortise strike



Latches, catches and bolts

Surface bolts

SB1630/SB1640

Surface bolt

- Standard surface bolt has 1" throw for maximum security
- Ideal for all types of doors
- Fully concealed mounting prevents vandalism
- Units packed with wood and machine screws to meet most field conditions
- Comes end plug and end plug stud package
- Available in locking version, unit locks in both the up and down position
 - Locking bolts are furnished with 2 keys in 4 keying variations



Universal top strike



Flat bottom strike

Specifications

Material	<ul style="list-style-type: none"> 1630 Series is constructed of heavy duty steel substrate 1640 Series is constructed of brass
Certifications	<ul style="list-style-type: none"> 1630 Meets ANSI/BHMA A156.16 L84161 and UL10C Listed (3 hour) fire doors up to 8'0" 1640 Meets ANSI/BHMA A156.16 L24161

Dimensions

Body	Overall knob or lock housing projection	Top strike	Bottom strike
8" L x 7/8" W x 3/4" T	1 1/2"	1 1/4" W x 7/8" L x 15/16" D	3" L x 1" W x 1/8" T

Strike options

- T** Top strike only
- B** Bottom strike only
- TB** Top and bottom strike*
- TL** Locking bolt with top strike only
- BL** Locking bolt with bottom strike only
- TBL** Locking bolt with top and bottom strike*

Key code

- 1289 Standard key code
- 1360
- 1390
- 1395

* Available on SB1630 Only

SB1630 Finishes

BHMA	Description	Substrate	Finish
603	Clear Zinc	Steel	US2G
640	Oil Rubbed Bronze	Steel	US10B
652	Satin Chrome	Steel	US26D

SB1640 Finishes

BHMA	Description	Substrate	Finish
605	Bright Brass	Brass	US3
613	Oil Rubbed Bronze	Brass	US10B
626	Satin Chrome	Brass	US26D

For other colors, consult factory.

Available accessories

- Security pin screw
- Through bolts available
- End plug and end plug stud package
- Cylinder package
- Replacement strike packages

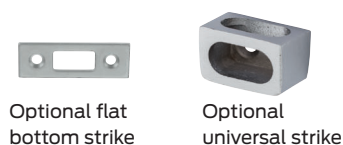
Latches, catches and bolts

Surface bolts

SB1600M1/SB1600M2

Surface bolt

- Standard surface bolt has 3 1/2" throw for maximum security and for doors with larger undercuts
- Sleek handle design
- Ideal for all types of doors
- Fully concealed mounting prevents vandalism
- Available in locking version. Unit locks in both the up and down position
 - Locking bolts are furnished with 2 keys in 4 keying variations
- Units packed with wood and machine screws to meet most field conditions
- M1 version has Actuator tab pointing away from the door
- M2 version has Actuator tab pointing towards the door



Specifications

Material substrate	Constructed of heavy duty steel
Certifications	Meets ANSI/BHMA A156.16 L84161 and UL10C Listed (3 hour) fire doors up to 8'0"

Dimensions

Bar	Top strike	Bottom strike
11" L x 3/4" W x 3/4" T, locking version 1 1/2" thick	1 1/4" W x 7/8" T x 15/16" D	3" L x 1" W x 1/8" T

Strike options

- **T** Top strike only
- **B** Bottom strike only
- **TL** Top locking strike only
- **BL** Bottom locking strike only

Key code

- 1289 Standard key code
- 1360
- 1390
- 1395

Finishes

BHMA	Description	Substrate	Finish
631	Matte Black	Steel	BLK
689	Aluminum Painted	Steel	SP28
691	Dull Bronze Painted	Steel	SP10
695	Dark Bronze Painted	Steel	SP313
706	Dull Brass Painted	Steel	SP4

For other colors, consult factory.

Available accessories

- Security pin screw
- Through bolts available
- End plug and end plug stud package
- Cylinder package
- Replacement strike packages

Latches, catches and bolts

Surface bolts

40

Surface bolt, decorative light duty

- Recommended for 1 3/8" and 1 3/4" hollow core doors or door partitions
- Concealed screw design enhances appearance and security
- Exceptional strength and durability provided by interlocking construction of heavy gauge track and rod
- Permanent stop prevents rod disengagement from track
- Tension spring holds bolt in desired position
- Track assures smooth operation and interlocks with side edges of rod to eliminate marring
- Decorative 5/8" diameter knob designed to facilitate bolt operation
- Available in 3", 4" and 6" lengths
- Units packed with wood screws
- Packed with both universal and mortise strikes

Specifications

Material substrate	Made from extruded brass
Certifications	Meets ANSI/BHMA A156.16

Dimensions

Throw	Projection	Width	Length
1 1/16"	3/4"	1 1/16"	3", 4" or 6"

Finishes

BHMA	Description	Substrate	Finish
605	Bright Brass	Brass	B3
609	Blackened Brass	Brass	B5
613	Oil Rubbed Bronze	Brass	B10B
619	Satin Nickel	Brass	B15
622	Matte Black	Brass	BLK
625	Bright Chrome	Brass	B26
626	Satin Chrome	Brass	B26D
643e/716	Aged Bronze	Brass	643e/716

For other colors, consult factory.



Universal strike



Mortise strike

253

Surface bolt, decorative heavy duty

- Recommended for 1 3/4" or larger doors
- Heavy duty, decorative bolt ideal where extra strength required
- Decorative 1 1/4" diameter knob fits well with any décor and designed to facilitate bolt operation
- Available in 8" and 12" lengths. Optional lengths available, consult factory.
- Units packed with wood screws
- Packed universal strike (US) and mortise strike (MS)

Specifications

Material substrate	Made from solid brass
Certifications	Meets ANSI/BHMA A156.16

Dimensions

Throw	Projection	Half round rod	Overall width	Length
1 1/8"	1 5/16"	5/8"	1 5/8"	8" or 12"

Finishes

BHMA	Description	Substrate	Finish
605	Bright Brass	Brass	B3
613	Oil Rubbed Bronze	Brass	B10B
626	Satin Chrome	Brass	B26D

For other colors, consult factory.



Universal strike



Mortise strike

Latches, catches and bolts

Dutch door and mortise door bolts

054

Dutch door bolt

- Practical, rugged, attractive bolt for application on Dutch doors as well as other areas
- Chamfered rod end draws the two leaves of door tightly together
- Sufficient tolerance provided in strike opening to allow for misalignment of door leaves and also prevents binding of bolt
- Decorative 1" diameter knob designed to facilitate bolt operation
- Units packed with wood screws
- Packed with Standard Strike (SS), Mortise Strike (MS) and Universal Strike (US)

Specifications

Material substrate	Made from solid brass
Certifications	Meets ANSI/BHMA A156.16

Dimensions

Throw	Projection	Half round rod	Overall width	Rod length	Overall length
5/8"	1 1/8"	5/8"	1 5/8"	4 1/4"	Specify 4 3/8" (including knob)

Finishes

BHMA	Description	Substrate	Finish
605	Bright Brass	Brass	B3
606	Satin Brass	Brass	B4
612	Satin Bronze	Brass	B10
613	Oil Rubbed Bronze	Brass	B10B
619	Satin Nickel	Brass	B15
625	Bright Chrome	Brass	B26
626	Satin Chrome	Brass	B26D

For other colors, consult factory.



Standard strike

Mortise strike

Universal strike

S48

Mortise door bolt

- Brass oval turn knob and escutcheon
- Steel bolt for extra strength
- Rack is milled for precision fit with pinion
- Units packed with wood screws

Specifications

Material substrate	Made from brass and steel
Certifications	Meets ANSI/BHMA A156.16

Dimensions

Throw	Projection	Half round rod	Overall width	Rod length
1 3/4"	1/2"	1/2"	2 1/2" L x 9/16" D	1 3/4" H x 7/8" W

Finishes

BHMA	Description	Substrate	Finish
605	Bright Brass	Brass	B3
609	Blackened Brass	Brass	B5
613	Oil Rubbed Bronze	Brass	B10B
619	Satin Nickel	Brass	B15
625	Bright Chrome	Brass	B26
626	Satin Chrome	Brass </tr	

For other colors, consult factory.



Latches, catches and bolts

Door guards

481

Chain door guard

- Permits the door to be slightly opened to allow viewing
- Narrow chain holder maintains chain in stationary position when door guard is not in use, eliminating marring of door and frame caused by dangling chain
- Welded twist link steel chain finished to match door plate and chain holder
- Packed with sheet metal screws



Specifications

Material substrate	Made from wrought brass or burnished wrought steel
Certifications	Meets ANSI/BHMA A156.16

Dimensions

Door plate	Chain holder	Chain length
3 ³ / ₈ " L x 1 ³ / ₈ " W	2" H x ³ / ₄ " W	6 ¹ / ₄ "

Finishes - brass and steel

BHMA	Description	Substrate	Finish
605	Bright Brass	Brass	B3
626	Satin Chrome	Brass	B26D
631	Matte Black	Steel	F-BLK
632	Bright Brass	Steel	F3
633	Satin Brass	Steel	F4
638	Blackened Brass	Steel	F5
639	Satin Bronze	Steel	F10
643e/716	Aged Bronze	Steel	F-643e/716
646	Satin Nickel	Steel	F15
651	Bright Chrome	Steel	F26
652	Satin Chrome	Steel	F26D

For other colors, consult factory.

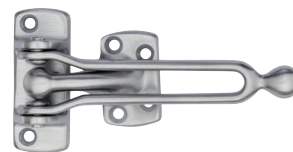
Latches, catches and bolts

Door guards

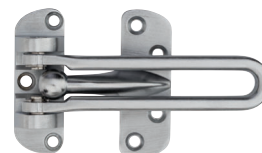
482

Solid bar door guard

- For use on doors that are flush with frames
- The solid bar, interlocking with the ball on the strike plate, permits the door to be slightly opened to allow viewing
- The hinged bar allows the door guard to be positioned 180° away from the door when not in use
- Edge protection plate, furnished with cast brass door guards only, minimizes the chance for marring the door or frame. Can be purchased as a separate item for Aluminum substrate
- Strike plate is designed to prevent the solid bar from marring the inside of the door when in use
- Packed with sheet metal screws



Cast brass



Cast zinc

Specifications

Material substrate	Made from cast brass or cast zinc
Certifications	Meets ANSI/BHMA A156.16

Dimensions - cast brass

Strike plate	Holder	Arm length	Edge guard
2 5/8" H x 1 1/32" W	1 3/4" H x 1 1/16" W	4 3/4"	1 1/8" H x 1 1/32" W

Dimensions - zinc

Strike plate	Holder	Arm length
2 1/2" H x 7/8" W	2 1/2" H x 15/16" W	3 13/16"

Finishes - brass

BHMA	Description	Substrate	Finish
605	Bright Brass	Brass	B3
606	Satin Brass	Brass	B4
612	Satin Bronze	Brass	B10
613	Oil Rubbed Bronze	Brass	B10B
619	Satin Nickel	Brass	B15
622	Matte Black	Brass	B-BLK
625	Bright Chrome	Brass	B26
626	Satin Chrome	Brass	B26D
643e/716	Aged Bronze	Brass	B-643e/716

Finishes - zinc

BHMA	Description	Substrate	Finish
677	Bright Brass	Zinc	Z605E
-	Blackened Brass	Zinc	Z609E
681	Bright Chrome	Zinc	Z625E
682	Satin Chrome	Zinc	Z626E

For other colors, consult factory.

Latches, catches and bolts

Door guards

484

Privacy door guard

- For use on interior corridor openings such as hotels, apartments, or dormitories
- Modern design in variety of finishes to suite with your opening hardware style
- Enables the door to open partially while maintaining privacy for the interior resident
- Padded latch design for quiet operation from the open to close position
- ADA compliant design for ease of operation
- Ideal for fire-rated doors and does not allow the door to be held open, complying with NFPA80 requirements
- Easy to install and retrofit on existing openings
- Comes standard with 3 #12 x 1 -1/4 " Flat Head Sheet Metal Screws



Specifications

Material substrate	Zinc
Certifications	UL Listed for 3 hours to UL10C

Dimensions

Plate width	Plate height	Guard width	Opening Angle
1 13/16"	2 5/8"	1 1/2"	90 degrees

Finishes - Zinc

BHMA	Description	Substrate	Finish
677	Bright Brass	Zinc	Z605
-	Satin Brass	Zinc	Z606E
-	Satin Nickel	Zinc	Z619E
678	Matte Black	Zinc	Z-BLK
681	Bright Chrome	Zinc	Z625E
682	Satin Chrome	Zinc	Z626E
695	Dark Bronze	Zinc	Z-695
716	Aged Bronze	Zinc	Z-643E/716

For other colors, consult factory.

THIS PAGE INTENTIONALLY LEFT BLANK

Latches, catches and bolts

Roller latches

RL30/RL30A

Roller latch

- Recommended for higher traffic applications
- Actuation is simple, closing of the door causes the roller to fall in the depression of the strike, thereby holding the door closed
- The projection of the roller is easily adjusted using adjusting screws on the face of the unit
- Maximum projection of the roller is $\frac{3}{8}$ " allowing for variance in the door clearance
- Nylon roller standard
- Units packed with wood and machine screws to meet most field conditions
- RL30A model packed with ASA strike

Specifications

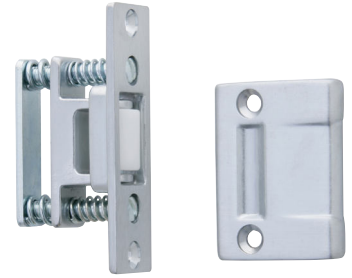
Material substrate	Made from forged brass
Certifications	Meets ANSI/BHMA A156.16, E19091

Dimensions

Body	Strike	Optional ASA strike
1 1/8" W x 2 1/4" H x 2 1/4" D	1 1/8" W x 2 3/4" H x 3/32" T, lip to center - 1 1/4"	1 1/4" W x 4 7/8" H x 3/32" T, lip to center - 1 1/4"

Available accessories

- Strike - ASA
- Security mounting screws
- Silencers



RL32/RL32A

Roller latch

- Recommended light duty cabinet and closet applications
- Actuation is simple, closing of the door causes the roller to fall in the depression of the strike, thereby holding the door closed
- The projection of the roller is easily adjusted by turning knurled knob on back of latch
- Maximum projection of the roller is $\frac{1}{2}$ " allowing for variance in the door clearance
- Fits heavy-duty cylindrical lock cutout
- Nylon roller standard
- Non-handed
- Units packed with wood screws
- RL32A model packed with ASA strike

Specifications

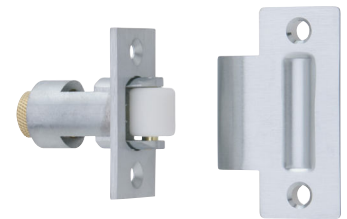
Material substrate	Made from brass
Certifications	Meets ANSI/BHMA A156.16, E19091

Dimensions

Body	Strike	Optional ASA strike
1 1/8" W x 2 1/4" H x 2 1/4" D	1 1/8" W x 2 3/4" H x 3/32" T, lip to center - 1 1/4"	1 1/4" W x 4 7/8" H x 3/32" T, lip to center - 1 1/4"

Available accessories

- Strike - ASA



RL30/30A and RL32/32A Finishes

BHMA	Description	Substrate	Finish
605	Bright Brass	Brass	US3
606	Satin Brass	Brass	US4
612	Satin Bronze	Brass	US10
613	Oil Rubbed Bronze	Brass	US10B
619	Satin Nickel	Brass	US15
622	Matte Black	Brass	BLK
625	Bright Chrome	Brass	US26
626	Satin Chrome	Brass	US26D
643e/716	Aged Bronze	Brass	643e/716

For other colors, consult factory.

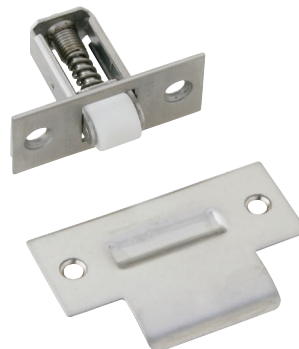
Latches, catches and bolts

Roller latches

RL36/RL36A

Roller latch

- Recommended light duty cabinet and closet applications
- Actuation is simple, closing of the door causes the roller to fall in the depression of the strike, thereby holding the door closed
- The projection of the roller is easily adjusted by turning slotted screw on back of latch
- Maximum projection of the roller is $\frac{5}{16}$ " allowing for variance in the door clearance
- Fits cylindrical lock cutout
- Nylon roller
- Non-handed
- Units packed with wood screws
- RL36A model packed with ASA strike



Specifications

Material substrate	Made from stainless steel
Certifications	Meets ANSI/BHMA A156.16, E57082

Dimensions

Body	Strike	Optional ASA strike
1" W x 2 1/4" H x 2" D	1 1/8" W x 2 3/4" H x 3/32" T, lip to center - 1 1/4"	1 1/4" W x 4 7/8" H x 3/32" T, lip to center - 1 1/4"

Finish

BHMA	Description	Substrate	Finish
630	Satin Stainless	Stainless steel	US32D

For other colors, consult factory.

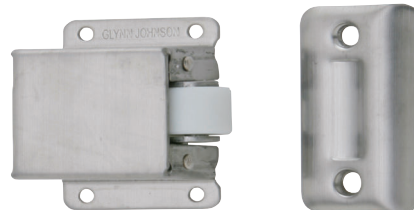
Available accessories

- Strike - ASA

RL38

Roller latch

- Rim style roller latch
- Actuation is simple, closing of the door causes the roller to fall in the depression of the strike, thereby holding the door closed
- The projection of the roller is easily adjusted by turning slotted screw
- Maximum projection of the roller is $\frac{3}{8}$ " allowing for variance in the door clearance
- Nylon roller
- Non-handed
- Units packed with wood screws



Specifications

Material substrate	Made from stainless steel
Certifications	Meets ANSI/BHMA A156.16, L27092

Dimensions

Body	Strike
1 3/8" W x 2" H x 7/8" D	1" W x 2 1/8" H x 3/8" D

Finish

BHMA	Description	Substrate	Finish
630	Satin Stainless	Stainless steel	US32D

For other colors, consult factory.

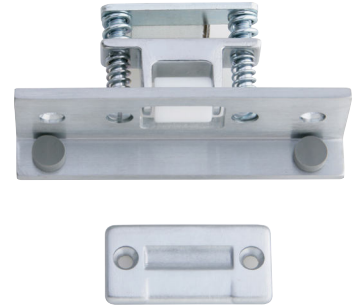
Latches, catches and bolts

Roller latches

RL1152

Roller latch

- Recommended for higher traffic applications
- Combination of RL30 roller latch and angle stop
- Actuation is simple, closing of the door causes the roller to fall in the depression of the strike, thereby holding the door closed
- The projection of the roller is easily adjustable using adjusting screws on the face of the unit
- Maximum projection of the roller is $\frac{3}{8}$ " allowing for variance in the door clearance
- Nylon roller standard
- Forged brass construction
- Units packed with wood screws



Specifications

Material substrate	Made from forged brass
Certifications	Meets ANSI/BHMA A156.16, E19111

Dimensions

Body	Strike
1 $\frac{3}{8}$ " W x 2" H x $\frac{7}{8}$ " D	1" W x 2 $\frac{1}{8}$ " H x $\frac{3}{8}$ " D

Finishes

BHMA	Description	Substrate	Finish
605	Bright Brass	Brass	US3
606	Satin Brass	Brass	US4
612	Satin Bronze	Brass	US10
613	Oil Rubbed Bronze	Brass	US10B
619	Satin Nickel	Brass	US15
622	Matte Black	Brass	BLK
625	Bright Chrome	Brass	US26
626	Satin Chrome	Brass	US26D
643e/716	Aged Bronze	Brass	643e/716

For other colors, consult factory.

Available accessories

- Security mounting screws
- Brass roller
- Silencers

STK685/STK685L

Optional strikes

STK685 strike

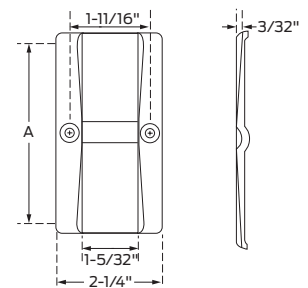
- Dimple of strike centered on strike

STK685L strike

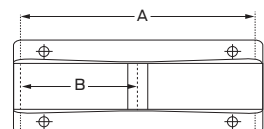
- Location of strike dimple is variable
- Please specify location of dimple from edge of frame to centerline of the dimple - B
Dimple will be located B + $\frac{3}{16}$ " to accommodate lip

Both strikes:

- Custom make strike for doors that swing both directions
- For use with roller latches
- Specify frame depth - A. Overall strike length will be A + $\frac{3}{8}$ " to accommodate $\frac{3}{16}$ " lip on each side
- Units packed with wood and machine screws to meet most field conditions



STK685



STK685L

Specifications

Material substrate	Made from $\frac{3}{32}$ " brass
--------------------	----------------------------------

Dimensions

Strike width	Strike length
2 $\frac{1}{4}$ "	Specified frame width + $\frac{3}{8}$ "

Finishes

BHMA	Description	Substrate	Finish
605	Bright Brass	Brass	US3
606	Satin Brass	Brass	US4
612	Satin Bronze	Brass	US10
613	Oil Rubbed Bronze	Brass	US10B
625	Bright Chrome	Brass	US26
626	Satin Chrome	Brass	US26D

For other colors, consult factory.

Latches, catches and bolts

Angle stops

AS895

Angle stop

- Surface applied stop for single doors
- Large rubber bumper to ensure quiet operation
- Units packed with wood and machine screws to meet most field conditions

Specifications

Material substrate	Made from 1/8" brass
--------------------	----------------------

Dimensions

1 1/2" wide x 1" angle x 2 1/2" long

Available accessories

- Security pin screws

Finishes

BHMA	Description	Substrate	Finish
605	Bright Brass	Brass	US3
606	Satin Brass	Brass	US4
612	Satin Bronze	Brass	US10
613	Oil Rubbed Bronze	Brass	US10B
625	Bright Chrome	Brass	US26
626	Satin Chrome	Brass	US26D

For other colors, consult factory.



AS18

Angle stop

- Surface applied stop for single and double doors
- Includes SR64 door silencers to ensure quiet operation
- SR64 silencers are replaceable
- Units packed with wood and machine screws to meet most field conditions

Specifications

Material substrate	Made from 3/16" brass
--------------------	-----------------------

Dimensions

1 1/2" wide x 3/4" angle x 3 1/2" long
--

Available accessories

- Security pin screws

Finishes

BHMA	Description	Substrate	Finish
605	Bright Brass	Brass	US3
606	Satin Brass	Brass	US4
612	Satin Bronze	Brass	US10
613	Oil Rubbed Bronze	Brass	US10B
625	Bright Chrome	Brass	US26
626	Satin Chrome	Brass	US26D

For other colors, consult factory.



Latches, catches and bolts

Invisible latches

CL11

Invisible latch

- Invisible latch is ideal for installations where no visible latch or strike is desired
- Unit can be installed at the top, bottom or side of the door
- Can be mortised into the stop or surface mounted to the stop
- Recommended for use on small panels, cabinet doors or lightweight doors
- Not recommended for use on hollow lightweight doors with single point access to area
- Operation is simple, latching is accomplished by a slight push
- To unlatch the door, a harder push releases the door and pushes the door out
- Brass and plastic construction
- Applies 13 pounds to open the door
- Units packed with wood screws



Specifications

Material substrate	Made from brass and plastic
Certifications	Meets ANSI/BHMA A156.9, B03272

Dimensions

Body	Strike
1 1/4" W x 1 7/8" H x 7/16" T	9/16" W x 1 5/16" H x 9/16" Projection

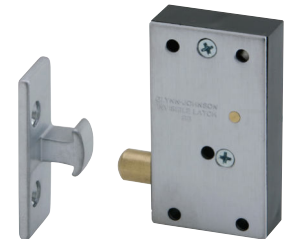
Available accessories

- Security pin screws

CL12

Invisible latch

- Invisible latch is ideal for installations where no visible latch is desired
- Unit can be installed at the top, bottom or side of the door
- Can be mortised into the stop or surface mounted to the stop
- Recommended for use on larger panels, cabinet doors or lightweight doors
- Not recommended for use on hollow lightweight doors with single point access to area
- Operation is simple, latching is accomplished by a slight push
- To unlatch the door, a harder push releases the door and pushes the door out
- Brass and plastic construction
- Applies 27 pounds to open the door
- Units packed with wood screws



Specifications

Material substrate	Made from brass and plastic
Certifications	Meets ANSI/BHMA A156.9, B03272

Dimensions

Body	Strike
1 1/4" W x 2 1/4" H x 9/16" T	5/8" W x 1 13/16" H x 9/16" Projection

Available accessories

- Security pin screws

CL14

Invisible latch, auxiliary pusher

- Aid in the operation of the CL11 and CL12 where hinges or surrounding conditions prevent smooth operation of doors
- Provides 1 1/16" throw
- Nylon pusher
- Applies 10 pounds to open the door
- Units packed with wood screws



Specifications

Material substrate	Made from brass
Certifications	Meets ANSI/BHMA A156.9, B13282

Dimensions

Body
2 15/16" L x 1 11/16" W x 5/8" D

Available accessories

- Security pin screws

CL11, CL12 and CL14 Finishes

BHMA	Description	Substrate	Finish
605	Bright Brass	Brass	US3
606	Satin Brass	Brass	US4
612	Satin Bronze	Brass	US10
626	Satin Chrome	Brass	US26D

For other colors, consult factory.

Latches, catches and bolts

Magnetic catches

325

Magnetic catch

- Double pole
- Self-aligning magnet ensures maximum pull
- Case design allows easy magnet adjustment on cabinet or small door applications
- Packed with sheet metal screws
- 5 lbs. load capacity

Specifications

Material substrate	Case made from aluminum
Certifications	Meets ANSI/BHMA A156.9, B43171

Dimensions

Case
1 1/8" W x 2 1/16" L x 5/8" T

Finishes

BHMA	Description	Substrate	Finish
666	Bright Brass	Aluminum	A3
673	Aluminum Clear Coat	Aluminum	A92

For other colors, consult factory.



326

Magnetic catch, dual double pole

- Dual double pole
- Self-aligning magnets ensure maximum pull
- Can be surface mounted or mortised
- Packed with sheet metal screws, 2 short strikes and 1 long strike
- 9 lbs. load capacity

Specifications

Material substrate	Case made from aluminum
Certifications	Meets ANSI/BHMA A156.9, B43161

Dimensions

Case
1" W x 3 1/8" L x 9/16" T

Finishes

BHMA	Description	Substrate	Finish
666	Bright Brass	Aluminum	A3
673	Aluminum Clear Coat	Aluminum	A92

For other colors, consult factory.



327

Magnetic catch, dual triple pole

- Dual triple pole
- Self-aligning magnets insure maximum pull
- Can be surface mounted or mortised
- Packed with sheet metal screws, 2 short strikes and 1 long strike
- 14 lbs. load capacity

Specifications

Material substrate	Case made from aluminum
Certifications	Meets ANSI/BHMA A156.9, B43161

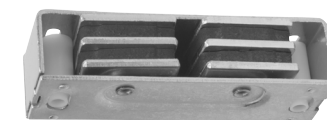
Dimensions

Case
1" W x 3 1/8" L x 3/4" T

Finishes

BHMA	Description	Substrate	Finish
666	Bright Brass	Aluminum	A3
673	Aluminum Clear Coat	Aluminum	A92

For other colors, consult factory.



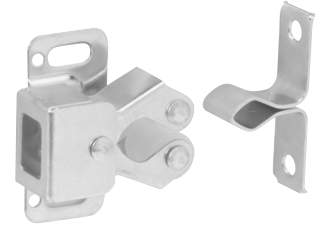
Latches, catches and bolts

Roller catches

330

Roller catch

- Most economical solution recommended for low frequency opening applications
- Independent rollers allow positive action and self-alignment
- Cushioned rollers absorb shock and noise, hold door away from cabinet
- Application allows for easy adjustment
- Packed with screws and brads



Specifications

Material substrate	Case made from aluminum
Certifications	Meets ANSI/BHMA A156.9, B83071

Dimensions

Case	Strike
1 1/4" H x 1 1/16" W	1 1/4" H x 3/8" W

Finishes

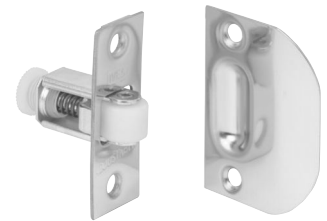
BHMA	Description	Substrate	Finish
604	Clear Zinc	Steel	F2C

For other colors, consult factory.

335

Roller catch

- Recommended for higher frequency opening applications
- Smooth, positive latching action insured by powerful conical spring
- Durable nylon roller insures quiet operation
- Adjustable tension. Adjustments can be varied from 4 to 17 lbs. of holding power making possible a wide range of door performance
- Easily installed on thin doors
- Full lip style strike designed for simplified mortising
- Packed with sheet metal screws



Specifications

Material substrate	Made from wrought brass
Certifications	Meets ANSI/BHMA A156.16, L27081 for brass

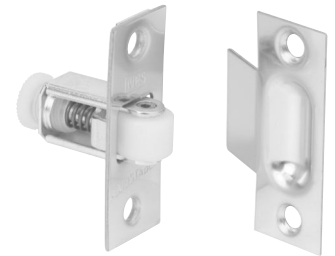
Dimensions

Face plate	Bore	Strike
7/8" W x 2 1/4" H	1 3/4" D x 13/16" DIA	1 5/8" W x 2 1/4" H, lip to center - 1 3/16"

336

Roller catch

- Recommended for higher frequency opening applications
- Smooth, positive latching action insured by powerful conical spring
- Durable nylon roller insures quiet operation
- Adjustable tension; adjustments can be varied from 4 to 17 lbs of holding power making possible a wide range of door performance
- Easily installed on thin doors
- Standard box type strike designed for neat appearance
- Packed with sheet metal screws



Specifications

Material substrate	Made from wrought brass
Certifications	Meets ANSI/BHMA A156.16, L27081 for brass

Dimensions

Face plate	Bore	Strike
7/8" W x 2 1/4" H	1 3/4" D x 13/16" DIA	1 5/8" W x 2 1/4" H, lip to center - 1 3/16"

335 and 336 Finishes

BHMA	Description	Substrate	Finish
605	Bright brass	Brass	B3
606	Satin brass	Brass	B4
609	Blackened brass	Brass	B5
612	Satin bronze	Brass	B10
613	Oil rubbed bronze	Brass	B10B
619	Satin nickel	Brass	B15
625	Bright chrome	Brass	B26
626	Satin chrome	Brass	B26D
643e/716	Aged bronze	Brass	643e/716
622	Matte black	Brass	BLK

For other colors, consult factory.

Latches, catches and bolts

Ball catches

CL21

Ball catch

- Four-way catch with hexagon stud
- Ideal for holding medium duty doors
- The strike slides between two stainless steel balls that are under spring tension; as the strike engages, the door is held tightly shut
- Strike can enter body from any direction
- Spring tension is easily adjusted to suit field conditions
- Body can be surface applied or mortised
- Units packed with wood screws

Specifications

Material substrate	Made from brass
Certifications	Meets ANSI/BHMA A156.9

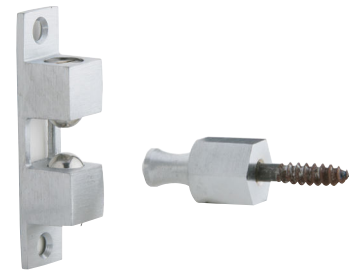
Dimensions

Body	Strike
$\frac{3}{4}$ " W x 3" H x $\frac{3}{4}$ " D	$\frac{3}{4}$ " W hex x 1 $\frac{1}{2}$ " H

Finish

BHMA	Description	Substrate	Finish
604	Clear Zinc	Steel	F2C

For other colors, consult factory.



Available accessories

- Security pin screws

CL21A

Ball catch

- Four-way catch with plate type strike
- Ideal for closet doors, access doors, hinged openings and numerous other applications
- The strike slides between two stainless steel balls that are under spring tension; As the strike engages, the door is held tightly shut
- Strike can enter body from any direction
- Spring tension is easily adjusted to suit field conditions
- Body can be surface applied or mortised
- Units packed with wood screws

Specifications

Material substrate	Made from brass
Certifications	Meets ANSI/BHMA A156.9, B13292

Dimensions

Body	Strike
$\frac{3}{4}$ " W x 3" H x $\frac{3}{4}$ " D	$\frac{7}{16}$ " W x 1 $\frac{3}{4}$ " H x $\frac{7}{8}$ " D



Available accessories

- Security pin screws

CL22

Ball catch

- Three-way catch with plate type strike
- Ideal for smaller cabinet doors or panels
- The strike slides between two stainless steel balls that are under spring tension; as the strike engages, the door is held tightly shut
- Strike can enter body from either side or front
- Spring tension is easily adjusted to suit field conditions
- Body can be surface applied or mortised
- Units packed with wood screws

Specifications

Material substrate	Made from brass
Certifications	Meets ANSI/BHMA A156.9, B13292

Dimensions

Body	Strike
$\frac{3}{4}$ " W x 3" H x $\frac{3}{4}$ " D	$\frac{7}{16}$ " W x 1 $\frac{3}{4}$ " H x $\frac{7}{8}$ " D



Available accessories

- Security pin screws

CL21A and CL22 Finishes

BHMA	Description	Substrate	Finish
605	Bright brass	Brass	US3
606	Satin brass	Brass	US4
612	Satin bronze	Brass	US10
625	Bright chrome	Brass	US26
626	Satin chrome	Brass	US26D

For other colors, consult factory.

Latches, catches and bolts

Ball catches

345

Ball catch, adjustable

- Recommended for lower frequency opening applications
- Ideal for cabinets and small interior doors
- Free rolling ball insures smooth, positive and trouble-free action
- Adjustable threaded barrel compensates for various door clearances
- Adjustable spring tension
- Units packed with wood screws



Specifications

Material substrate	Made from wrought brass
Certifications	Meets ANSI/BHMA A156.9, B23013

Dimensions

Face plate	Bore	Strike
$\frac{3}{4}$ " W x $1\frac{1}{2}$ " H	1" D x $\frac{9}{16}$ " DIA	$\frac{25}{32}$ " W x $1\frac{1}{2}$ " H, lip to center - $\frac{13}{32}$ "

Finishes

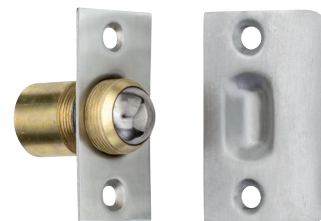
BHMA	Description	Substrate	Finish
605	Bright Brass	Brass	US3
609	Blackened Brass	Brass	US5
612	Satin Bronze	Brass	US10
613	Oil Rubbed Bronze	Brass	US10B
619	Satin Nickel	Brass	US15
625	Bright Chrome	Brass	US26
626	Satin Chrome	Brass	US26D

For other colors, consult factory.

347

Ball catch, dual adjustable - square corners

- Recommended for lower frequency opening applications
- Ideal for cabinets and small interior doors
- Free rolling ball insures smooth, positive and trouble-free action
- Adjustable threaded barrel compensates for various door clearances
- Adjustable spring tension
- Rounded corners on strike lip for safety
- Units packed with wood screws



Specifications

Material substrate	Made from wrought brass
Certifications	Meets ANSI/BHMA A156.9, B23013

Dimensions

Face plate	Bore	Strike
1" W x $2\frac{1}{8}$ " H	$\frac{7}{8}$ " DIA x $1\frac{3}{8}$ " D	$1\frac{3}{8}$ " W x $2\frac{1}{8}$ " H, lip to center - $\frac{7}{8}$ "

Finishes

BHMA	Description	Substrate	Finish
605	Bright Brass	Brass	US3
606	Satin Brass	Brass	US3
609	Blackened Brass	Brass	US5
612	Satin Bronze	Brass	US10
613	Oil Rubbed Bronze	Brass	US10B
619	Satin Nickel	Brass	US15
625	Bright Chrome	Brass	US26
626	Satin Chrome	Brass	US26D
643e/716	Aged Bronze	Brass	643e/716
622	Matte Black	Brass	BLK

For other colors, consult factory.

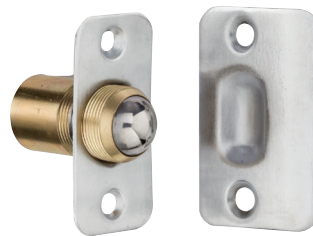
Latches, catches and bolts

Ball catches

349

Ball catch, dual adjustable - rounded corners

- Recommended for lower frequency opening applications
- For catch in door installations
- Radiused corners allow easy installation with a router
- Dual adjustment for door clearance and holding strength
- Lip strike is designed for use where strike is mounted in jamb
- Free rolling ball insures smooth, positive and trouble-free action
- Adjustable threaded barrel compensates for various door clearances
- Adjustable spring tension
- Rounded corners on strike lip for safety
- Units packed with wood screws



Specifications

Material substrate	Made from wrought brass
Certifications	Meets ANSI/BHMA A156.9, B23013

Dimensions

Face plate	Bore	Strike
1" W x 2 1/8" H	7/8" DIA x 1 3/8" D	1 3/8" W x 2 1/8" H, lip to center - 7/8"

Finishes

BHMA	Description	Substrate	Finish
605	Bright Brass	Brass	US3
606	Satin Brass	Brass	US3
609	Blackened Brass	Brass	US5
612	Satin Bronze	Brass	US10
613	Oil Rubbed Bronze	Brass	US10B
619	Satin Nickel	Brass	US15
625	Bright Chrome	Brass	US26
626	Satin Chrome	Brass	US26D
643e/716	Aged Bronze	Brass	643e/716
622	Matte Black	Brass	BLK

For other colors, consult factory.

2

Elbow catch

- Ideal for use on the inactive leaf of a pair of cabinet doors
- Surface applied, making installation simple
- Spring loaded function - surface applied, making installation simple
- Made from cast aluminum

Specifications

Material substrate	Made from wrought brass
Certifications	Meets ANSI/BHMA A156.9, B33023

Dimensions

Plate	Strike
1 3/8" H x 5/8" W	1 3/16" H x 5/8" W

Finish - aluminum

Ives number	A3	A5	A14	A15	A92	A716
BHMA	666		669	670	673	



Door stops, holders and silencers

With a full line of wall bumpers, wall holders, kick down holders and hinge pin stops for commercial and residential applications, Ives products are designed to ensure that doors will not slam into the wall. These accessories provide an economical alternative for doors without a closer and overhead stop or holder.



Door stops, holders and silencers

Floor stops and holders

FS13

Dome stop

- Standard FS13 for use where no threshold is used
- Heavy-duty cast dome stops constructed of brass
- Unique riser design of R14 (below) allows easy conversion to threshold application
- Units are packed with fasteners sufficient for mounting in all types of floor construction, including concrete
- Replaceable - grey rubber bumper

Specifications

Material substrate	Made from cast brass
Certifications	Meets ANSI/BHMA A156.16, L12141

Dimensions

Overall height	Base height	Base diameter
1"	$\frac{3}{16}$ "	1 $\frac{3}{4}$ " round

Available accessories

- Security pin screws
- Grey rubber bumper



R14

Dome stop rise

- Adapts the FS13 Dome stop to threshold use

Specifications

Material substrate	Made from cast brass
--------------------	----------------------

Dimensions

Riser height	Base diameter
$\frac{5}{16}$ "	1 $\frac{3}{4}$ " round



FS17

Dome stop

- One piece dome stop for use with thresholds
- Heavy-duty cast dome stops constructed of brass
- Units are packed with fasteners sufficient for mounting in all types of floor construction, including concrete
- Grey rubber bumper

Specifications

Material substrate	Made from cast brass
Certifications	Meets ANSI/BHMA A156.16, L12161

Dimensions

Overall height	Base height	Base diameter
1 $\frac{11}{32}$ "	$\frac{1}{2}$ "	1 $\frac{3}{4}$ " round

Available accessories

- Security pin screws
- Grey rubber bumper



FS13, R14 and FS17 Finishes

BHMA	Description	Substrate	Finish
605	Bright Brass	Brass	US3
606	Satin Brass	Brass	US4
612	Satin Bronze	Brass	US10
613	Oil Rubbed Bronze	Brass	US10B
625	Bright Chrome	Brass	US26
626	Satin Chrome	Brass	US26D

For other colors, consult factory.

FS436 / FS438

Dome stop

- FS436 for doors without threshold
- FS438 for doors with threshold or undercut doors
- Heavy-duty cast dome stops
- Packed with fasteners for light duty masonry and wood applications
- Grey rubber bumper

Specifications

Material substrate	Made from cast brass or aluminum
Certifications	<ul style="list-style-type: none"> ▪ FS436 Meets ANSI/BHMA A156.16, L12141 for brass and L32141 for aluminum ▪ FS438 Meets ANSI/BHMA A156.16, L12161 for brass and L32161 for aluminum

Dimensions - FS436

Overall height	Base height	Base diameter
1"	$\frac{3}{16}$ "	1 $\frac{3}{4}$ "x 2" oval

Dimensions - FS438

Overall height	Base height	Base diameter
1 $\frac{3}{8}$ "	$\frac{9}{16}$ "	1 $\frac{3}{4}$ "x 2" oval

Finishes - brass

BHMA	Description	Substrate	Finish
605	Bright Brass	Brass	US3
606	Satin Brass	Brass	US4
609	Blackened Brass	Brass	US5
612	Satin Bronze	Brass	US10
613	Oil Rubbed Bronze	Brass	US10B
619	Satin Nickel	Brass	US15
622	Matte Black	Brass	BLK
625	Bright Chrome	Brass	US26
626	Satin Chrome	Brass	US26D
-	Aged Bronze	Brass	643e/716

Finish - aluminum

BHMA	Description	Substrate	Finish
628	Satin Aluminum	Aluminum	US28

For other colors, consult factory.



FS436



FS438

R435 / R437

Dome stop riser

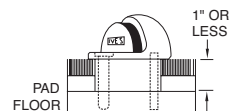
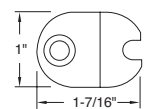
- R435 for conversion of FS436 Dome stop to carpet installation
- R437 For conversion of FS438 Dome stop to carpet installation
- Packed with fasteners for heavy duty masonry and wood applications

Specifications

Material substrate	Made from aluminum, mill finish
--------------------	---------------------------------

Dimensions

Base diameter	Heights available
1" x 1 $\frac{7}{16}$ " oval	$\frac{1}{4}$ ", $\frac{3}{8}$ ", $\frac{1}{2}$ " $\frac{5}{8}$ ", $\frac{3}{4}$ " and 1" heights



Door stops, holders and silencers

Floor stops and holders

FS439

Universal dome floor stop

- High or low-rise mount
- Spring-loaded rubber contact
- Packed with fasteners for light duty masonry and wood applications
- Grey rubber bumper

Specifications

Material substrate	Made from cast zinc or stainless steel
Certifications	Meets ANSI/BHMA A156.16

Dimensions

Overall height	Pad height	Base height	Base diameter
1 1/2"	1 1/8"	1/4"	1 7/8"

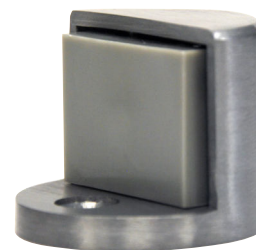
Finishes - zinc

BHMA	Description	Substrate	Finish
676	Matte Black	Zinc	BLK
677	Bright Brass	Zinc	US3
678	Satin Brass	Zinc	US4
704	Oil Rubbed Bronze	Zinc	US10B
–	Satin Nickel	Zinc	US15
681	Bright Chrome	Zinc	US26
682	Satin Chrome	Zinc	US26D
–	Aged Bronze	Zinc	643e/716

Finish - stainless steel

BHMA	Description	Substrate	Finish
630	Satin Stainless	Stainless steel	US32D

For other colors, consult factory.



FS410

Decorative floor stop

- Non-directional
- Packed with fasteners for light duty masonry and wood applications.
- Black rubber ring

Specifications

Material substrate	Made from cast brass
Certifications	Meets ANSI/BHMA A156.16

Dimensions

Overall height	Base height	Base diameter
1 1/2"	1/4"	1 1/4"

Finishes - zinc

BHMA	Description	Substrate	Finish
605	Bright Brass	Brass	US3
619	Satin Nickel	Brass	US15
622	Matte Black	Brass	BLK
625	Bright Chrome	Brass	US26
626	Satin Chrome	Brass	US26D
–	Aged Bronze	Brass	643e/716



Door stops, holders and silencers

Floor stops and holders

FS18S/FS18L

Floor stop

- FS18S - 1 1/2", FS18L - 3 1/2"
- Security door stops designed for use in high vandalism areas
- Molded from black flame resistant, resilient material around a heavy-duty stud
- Once grouted in concrete, leaves no exposed fasteners to be tampered with or removed
- Ideal for jail or security cell areas where floor mounted stops are required
- FS18L also ideal for concrete wall applications

Specifications

Material substrate Made from rubber

Finishes

- Black rubber

Dimensions - FS18S

Height	Diameter	Stud length
1 1/2"	2"	2 1/2"

Dimensions - FS18L

Height	Diameter	Stud length
3 1/2"	2"	2 1/2"



FS18S

FS18L

FS434

Floor stop

- For undercut doors up to 1 1/2"
- Packed with fasteners for light duty masonry and wood applications
- Soft, resilient black rubber

Specifications

Material substrate Made from wrought steel

Dimensions

Overall height	Base size
2 5/8"	1 1/2" W x 2 3/4" L

Finish

BHMA	Description	Substrate	Finish
604	Zinc Plated	Steel	US2C

Available accessories

- Replaceable soft, resilient black rubber



430

Floor door stop

- For undercut doors up to 1 1/2"
- Welded wood screws for wood applications
- White rubber tip

Specifications

Material substrate Made from cast brass and aluminum

Dimensions

Overall height	Base size
2 5/8"	1 1/2" W x 2 3/4" L

Finishes - brass

BHMA	Description	Substrate	Finish
605	Bright Brass	Brass	US3
606	Satin Brass	Brass	US4
609	Blackened Brass	Brass	US5
613	Oil Rubbed Bronze	Brass	US10B
619	Satin Nickel	Brass	US15
625	Bright Chrome	Brass	US26
626	Satin Chrome	Brass	US26D

Finishes - aluminum

BHMA	Description	Substrate	Finish
666	Bright Brass	Aluminum	A3
-	Blackened Brass	Aluminum	A5
669	Bright Nickel	Aluminum	A14
673	Aluminum Clear Coat	Aluminum	A92

For other colors, consult factory.

Available accessories

- Replaceable white or black rubber tips



Door stops, holders and silencers

Floor stops and holders

FS441

Floor stop

- Accommodates door undercut up to 1 1/2"
- Designed to blend well with all types of construction and provide a minimum of hindrance to cleaning efforts
- Grey non-marring rubber bumper
- Packed with fasteners for heavy duty masonry and wood applications



Specifications

Material substrate	Made from cast brass
Certifications	Meets ANSI/BHMA A156.16, L12131

Dimensions

Overall height	Overall length	Base depth
2 1/8"	2 7/8"	1 5/8"

Finishes - brass

BHMA	Description	Substrate	Finish
605	Bright Brass	Brass	US3
606	Satin Brass	Brass	US4
609	Blackened Brass	Brass	US5
612	Satin Bronze	Brass	US10
613	Oil Rubbed Bronze	Brass	US10B
619	Satin Nickel	Brass	US15
622	Matte Black	Brass	BLK
625	Bright Chrome	Brass	US26
626	Satin Chrome	Brass	US26D
–	Aged Bronze	Brass	643e/716

For other colors, consult factory.

Available accessories

- Replaceable grey non-marring rubber bumper

FS444

Masonry and drywall/wood floor stops

- Ideal for interior or exterior use
- Accommodates door undercut up to 2 1/2"
- Replaceable black non-marring rubber tip
- FS444 is packed with fasteners for heavy duty masonry applications
- FS448 is packed with fasteners for drywall/wood applications

Specifications

Material substrate	Made from cast brass and aluminum
Certifications	<ul style="list-style-type: none"> ▪ FS444 Meets ANSI/BHMA 156.16, L12131 for brass ▪ FS448 Meets ANSI/BHMA 156.16, L12121 for brass and L32121 for aluminum

Dimensions

Overall height	Base diameter
3"	2 1/2" round

Finishes - brass

BHMA	Description	Substrate	Finish
605	Bright Brass	Brass	US3
606	Satin Brass	Brass	US4
609*	Blackened Brass	Brass	US5
612	Satin Bronze	Brass	US10
613	Oil Rubbed Bronze	Brass	US10B
619	Satin Nickel	Brass	US15
622	Matte Black	Brass	BLK
625	Bright Chrome	Brass	US26
626	Satin Chrome	Brass	US26D
–	Aged Bronze	Brass	643e/716

Finish - aluminum

BHMA	Description	Substrate	Finish
628*	Satin Aluminum	Aluminum	US28

*Not available on FS444. For other colors, consult factory.

Available accessories

- Replaceable grey non-marring rubber bumper



FS444

Door stops, holders and silencers

Floor stops and holders

FS9

Floor stop and semi-automatic holder

- Semi-automatic floor-mounted holders accommodates with door to floor clearance of 1 1/2" or less
- Activate holder by flipping the engagement tongue forward. When door is opened, the hook (mounted on door) engages the tongue (to release, push firmly on door to disengage tongue)
- Packed with fasteners for extra-heavy duty masonry and wood applications



Specifications

Material substrate	Made from cast brass
Certifications	Meets ANSI/BHMA A156.16, L11241

Dimensions

Overall height	Base dimensions
3 1/2"	2" W x 3 1/2" L

Finishes - brass

BHMA	Description	Substrate	Finish
605	Bright Brass	Brass	US3
606	Satin Brass	Brass	US4
612	Satin Bronze	Brass	US10
613	Oil Rubbed Bronze	Brass	US10B
625	Bright Chrome	Brass	US26
626	Satin Chrome	Brass	US26D

For other colors, consult factory.

Available accessories

- Security pin screws
- Replaceable hook package

FS40, FS41, FS42 and FS43

Floor stop and automatic holders

- Automatic door holders ideal for heavy-traffic situations that require a simple, fool-proof, hold-open device
- Unit is activated automatically when door is opened. A firm pull on door releases the mechanism
- Strikes accommodate different door to floor clearances
- Model numbers are determined by strike/door-to-floor clearances
- Holder position on door is adjustable
- Packed with fasteners for heavy duty masonry and wood applications



Specifications

Material substrate	Made from forged brass
Certifications	Meets ANSI/BHMA A156.16, L11301

Dimensions

Door to floor clearance	Holder dimensions
<ul style="list-style-type: none"> ▪ FS40 1/2" or less ▪ FS41 9/16" to 1 1/16" 	<ul style="list-style-type: none"> ▪ FS42 1 1/8" to 1 9/16" ▪ FS43 1 5/8" to 2 1/16"
	3" wide x 3 11/16" high

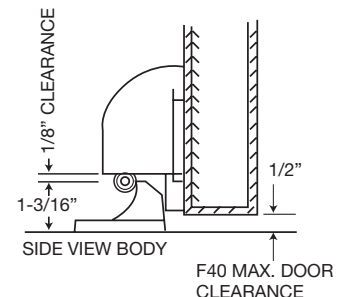
Finishes

BHMA	Description	Substrate	Finish
605	Bright Brass	Brass	US3
606	Satin Brass	Brass	US4
612	Satin Bronze	Brass	US10
613	Oil Rubbed Bronze	Brass	US10B
625	Bright Chrome	Brass	US26
626	Satin Chrome	Brass	US26D

For other colors, consult factory.

Available accessories

- Strike packages



Introduction
Table of contents
Hinges and pivots
Pulls, push bars and plates
Flush bolts, strikes and coordinators
Latches, catches and bolts
Door stops, holders and silencers
Exterior hardware
Miscellaneous hardware

Door stops, holders and silencers

Floor stops and holders

FS446/FS450

Floor stop and manual door holder

- Manual type floor holder ideal for interior or exterior use
- Accommodates door undercut up to 2 1/2"
- Replaceable black non-marring rubber tip
- Unit functions as a stop but serves as a hold-open device when hook is manually engaged in strike. Unit requires manual disengagement to release hold-open
- FS446 is packed with fasteners for heavy duty masonry applications
- FS450 is packed with fasteners for drywall/wood applications

Specifications

Material substrate	Made from cast brass and aluminum
Certifications	<ul style="list-style-type: none"> FS446 Meets ANSI/BHMA 156.16, L11371 for brass and L31371 for aluminum FS450 Meets ANSI/BHMA 156.16, L11361 for brass and L31361 for aluminum

Dimensions

Overall height	Height from floor to stop center line	Stop diameter	Base diameter
3 3/4"	2 5/8"	1 1/16"	2 1/2"

Finishes - brass

BHMA	Description	Substrate	Finish
605	Bright Brass	Brass	US3
606	Satin Brass	Brass	US4
612	Satin Bronze	Brass	US10
613	Oil Rubbed Bronze	Brass	US10B
619	Satin Nickel	Brass	US15
622	Matte Black	Brass	BLK
625	Bright Chrome	Brass	US26
626	Satin Chrome	Brass	US26D
-	Aged Bronze	Brass	643e/716

Finish - aluminum

BHMA	Description	Substrate	Finish
628	Satin Aluminum	Aluminum	US28

For other colors, consult factory.

Available accessories

- Replaceable black non-marring rubber bumper

FS495/FS496/FS497

Stops and semi-automatic holders

- FS495 wall stop, FS496 floor stop - 3/8" max clearance, FS497 floor stop - 1" max clearance (all with automatic holders)
- Automatic door holders ideal for heavy-traffic situations that require a simple, hold-open device
- Recommended installation is holder on door and strike on wall
- Holder position on door is adjustable
- Holder is tapered to prevent "child riding"
- Packed with fasteners for heavy duty masonry and drywall/wood applications

Specifications

Material substrate	Made from cast brass
Certifications	<ul style="list-style-type: none"> FS495 Meets ANSI/BHMA 156.16, L11291 for brass FS496 Meets ANSI/BHMA 156.16, L11301 for brass FS497 Meets ANSI/BHMA 156.16, L11301 for brass

Dimensions

- FS495 Holds door 3 3/4" from wall
- FS496 Door to floor clearances 3/8" max
- FS497 Door to floor clearances 1" max

Finishes

BHMA	Description	Substrate	Finish
605	Bright brass	Brass	US3
606*	Satin brass	Brass	US4
612	Satin bronze	Brass	US10
613	Oil rubbed bronze	Brass	US10B
625	Bright chrome	Brass	US26
626	Satin chrome	Brass	US26D

*Not available on FS496 and FS497. For other colors, consult factory.



FS446



FS495

WS401/WS402CVX, WS401/WS402CCV

Wall bumpers (convex and concave models)

- Constructed in heavy-duty cast brass
- Special retainer ring makes rubber tamper resistant
- Grey rubber bumper
- WS401/402CVX – convex rubber bumper, packed with fasteners for drywall/wood applications
- WS401/402CCV – concave rubber bumper which avoids damage to locks with projecting buttons, packed with fasteners for drywall/wood applications



WS401/WS402CCV

Specifications

Material substrate	Made from cast brass
Certifications	<ul style="list-style-type: none"> ▪ WS401/402CVX Meets ANSI/BHMA 156.16, L12101 ▪ WS401/402CCV Meets ANSI/BHMA 156.16, L12251

Dimensions

Base diameter	Base thickness	Overall projection
2 1/2"	3/8"	1"

Finishes

BHMA	Description	Substrate	Finish
605	Bright Brass	Brass	US3
606	Satin Brass	Brass	US4
612	Satin Bronze	Brass	US10
613	Oil Rubbed Bronze	Brass	US10B
619	Satin Nickel	Brass	US15
625	Bright Chrome	Brass	US26
626	Satin Chrome	Brass	US26D

For other colors, consult factory.

Note: WS401/402 is the full part number. 401 and 402 are not different products.

WS404CVX

Wall stop (convex)

- Compact size
- Constructed in cast brass
- Totally concealed mounting discourages vandalism or tampering
- Unit furnished with grey convex rubber bumper
- Packed with fasteners for drywall/wood applications



Specifications

Material substrate	Made from cast brass
--------------------	----------------------

Dimensions

Base diameter	Overall projection
1"	17/32"

Finishes - brass

BHMA	Description	Substrate	Finish
605	Bright Brass	Brass	US3
606	Satin Brass	Brass	US4
609	Blackened Brass	Brass	US5
612	Satin Bronze	Brass	US10
613	Oil Rubbed Bronze	Brass	US10B
619	Satin Nickel	Brass	US15
622	Matte Black	Brass	BLK
625	Bright Chrome	Brass	US26
626	Satin Chrome	Brass	US26D
–	Aged Bronze	Brass	643e/716

For other colors, consult factory.

Door stops, holders and silencers

Wall bumpers and stops

WS406/WS407CVX, WS406/WS407CCV

Wall stops (convex and concave models)

- Constructed in sturdy yet economical wrought base of brass or stainless steel construction
- Feature concealed tamper-proof mounting
- Shipped factory preassembled backplate to reduce installation cost
- Easy installation by inserting screwdriver through small hole in rubber
- WS406/407CVX – convex rubber bumper, packed with fasteners for drywall/wood applications
- WS406/407CCV – concave rubber bumper which avoids damage to locks with projecting buttons, packed with fasteners for drywall/wood applications



WS406/WS407CVX

Specifications

Material substrate	Made from brass and stainless steel
Certifications	<ul style="list-style-type: none"> WS406/407CVX Meets ANSI/BHMA 156.16, L22201 for brass and L52201 for stainless steel WS406/407CCV Meets ANSI/BHMA 156.16, L22251 for brass and L52251 for stainless steel

Dimensions

Base diameter	Base thickness	Overall projection
2 1/2"	3/8"	1"

Finishes

BHMA	Description	Substrate	Finish
605	Bright Brass	Brass	US3
606	Satin Brass	Brass	US4
609	Blackened Brass	Brass	US5
612	Satin Bronze	Brass	US10
613	Oil Rubbed Bronze	Brass	US10B
619	Satin Nickel	Brass	US15
622	Matte Black	Brass	BLK
625	Bright Chrome	Brass	US26
626	Satin Chrome	Brass	US26D
–	Aged Bronze	Brass	643e/716
630	Stainless Steel	Stainless steel	US32D

For other colors, consult factory.

Note: WS406/407 is the full part number. 406 and 407 are not different products.

411R-W

Wall bumper - adhesive

- Adhesive-backed wall door stop for use on clean, smooth, flat surfaces only
- Non-marring white rubber
- Concave design permits knob to strike stop without damaging or engaging lock mechanism



Specifications

Material substrate	Made from rubber
--------------------	------------------

Dimensions

Base diameter	Base thickness	Overall projection
1 7/8"	3/8"	1 1/16"

Finish

BHMA	Description	Substrate	Finish
–	White	Rubber	R-W

Door stops, holders and silencers

Wall stops and holders

WS11/WS11X

Wall stops

- Hexagon section on unit aids in fastening unit when expansion shield is used
- Replaceable black rubber bumpers features off-set shoulder and threaded shank that screws into body of unit
- WS11 is packed with fasteners for drywall/wood applications
- WS11X is packed with fasteners for heavy duty masonry applications



WS11

Specifications

Material substrate	Made from cast brass
Certifications	<ul style="list-style-type: none"> ▪ WS11 Meets ANSI/BHMA 156.16, L12011 ▪ WS11X Meets ANSI/BHMA 156.16, L12021

Dimensions

Base diameter	Overall projection
2"	3 3/4"

Finishes

BHMA	Description	Substrate	Finish
605	Bright Brass	Brass	US3
606	Satin Brass	Brass	US4
612	Satin Bronze	Brass	US10
613	Oil Rubbed Bronze	Brass	US10B
625	Bright Chrome	Brass	US26
626	Satin Chrome	Brass	US26D

For other colors, consult factory.

Available accessories

- Security pin screws
- Replaceable black non-marring rubber bumper

WS20/WS20X

Manual wall holders

- Hexagon section on unit aids in fastening unit when expansion shield is used
- Replaceable black rubber bumpers feature off-set shoulder and threaded shank that screws into body of holder
- Hinged strike furnished matches body material and finish
- WS20 is packed with fasteners for drywall/wood applications
- WS20X is packed with fasteners for heavy duty masonry applications



WS20

Specifications

Material substrate	Made from cast brass or aluminum
Certifications	<ul style="list-style-type: none"> ▪ WS20 Meets ANSI/BHMA 156.16, L11341 for brass and L31341 for aluminum ▪ WS20X Meets ANSI/BHMA 156.16, L11351 for brass and L31351 for aluminum

Dimensions

Base diameter	Overall projection	Strike height	Strike width
2 3/8"	4"	2"	1"

Finishes

BHMA	Description	Substrate	Finish
605	Bright Brass	Brass	US3
606	Satin Brass	Brass	US4
612	Satin Bronze	Brass	US10
613	Oil Rubbed Bronze	Brass	US10B
625	Bright Chrome	Brass	US26
626	Satin Chrome	Brass	US26D
628	Satin Aluminum	Aluminum	US28

For other colors, consult factory.

Available accessories

- Security pin screws
- Replaceable black non-marring rubber bumper

Door stops, holders and silencers

Wall stops and holders

WS33/WS33X

Wall stops

- Replaceable rubber bumper with offset shoulder screws into cavity on body to prevent loss or theft
- Sloping design discourages vandalism
- WS33 is packed with fasteners for drywall/wood applications.
- WS33X is packed with fasteners for heavy duty masonry applications

Specifications

Material substrate	Made from cast brass
Certifications	<ul style="list-style-type: none"> ▪ WS33 Meets ANSI/BHMA 156.16, L12011 ▪ WS33X Meets ANSI/BHMA 156.16, L12021

Dimensions

Base diameter	Overall projection
2 1/4" W x 3" H	3 3/4"

Finish

BHMA	Description	Substrate	Finish
626	Satin Chrome	Brass	US26D

For other colors, consult factory.

Available accessories

- Security pin screws
- Replaceable black non-marring rubber bumper



WS65

Wall stop

- Replaceable non-marring white rubber bumper
- Packed with fasteners for wood applications

Specifications

Material substrate	Made from cast aluminum
--------------------	-------------------------

Dimensions

Base diameter	Overall projection
1 5/8"	3 3/4"

Finishes

BHMA	Description	Substrate	Finish
666	Bright Brass	Aluminum	US3
668	Satin Bronze	Aluminum	US10
703	Oil Rubbed Bronze	Aluminum	US10B
–	Clear Satin Aluminum	Aluminum	US27

For other colors, consult factory.

Available accessories

- Replaceable white non-marring rubber bumper
- Replaceable black non-marring rubber bumper



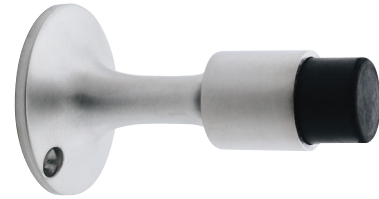
Door stops, holders and silencers

Wall stops and holders

WS443/WS447

Wall stops

- Ideal for interior or exterior use
- Replaceable black non-marring rubber tip
- WS443 is packed with fasteners for heavy duty masonry applications
- WS447 is packed with fasteners for drywall/wood applications



WS443

Specifications

Material substrate	Made from cast brass
Certifications	<ul style="list-style-type: none"> ▪ WS443 Meets ANSI/BHMA 156.16, L12021 for brass and L32021 for aluminum ▪ WS447 Meets ANSI/BHMA 156.16, L12011 for brass and L32011 for aluminum

Dimensions

Base diameter	Overall projection
2 1/4"	3 11/16"

Available accessories

- Replaceable black non-marring rubber bumper

WS445/WS449

Manual wall holders

- Unit functions as a stop but serves as a hold-open device when hook is manually engaged in strike
- Unit requires manual disengagement to release hold-open
- Replaceable black non-marring rubber tip
- WS445 is packed with fasteners for heavy duty masonry applications
- WS449 is packed with fasteners for drywall/wood applications



WS445

Specifications

Material substrate	Made from cast brass or aluminum
Certifications	<ul style="list-style-type: none"> ▪ WS445 Meets ANSI/BHMA 156.16, L11351 for brass ▪ WS449 Meets ANSI/BHMA 156.16, L11341 for brass and L31341 for aluminum

Dimensions

Base diameter	Overall projection	Engaged projection
2 1/4"	3 11/16"	5 3/4"
Strike height	Strike width	Strike projection
1 1/2"	13/16"	13/16"

Available accessories

- Replaceable black non-marring rubber bumper

WS443, WS445, WS447 and WS449 Finishes

BHMA	Description	Substrate	Finish
605	Bright Brass	Brass	US3
606	Satin Brass	Brass	US4
612	Satin Bronze	Brass	US10
613	Oil Rubbed Bronze	Brass	US10B
619*	Satin Nickel	Brass	US15
622*	Matte Black	Brass	BLK
625	Bright Chrome	Brass	US26
626	Satin Chrome	Brass	US26D
628*	Satin Aluminum	Aluminum	US28
—	Aged Bronze	Brass	643e/716

*Not available on WS443, WS445 or WS447. For other colors, consult factory.

Door stops, holders and silencers

Wall stops and holders

WS40

Automatic wall holder

- Holder is mounted on wall and strike is mounted on door
- Roller on holder rides up seats itself on strike, with a heavy duty bumper pad deadening the sound and shock
- Packed with fasteners for light duty masonry and drywall/wood applications

Specifications

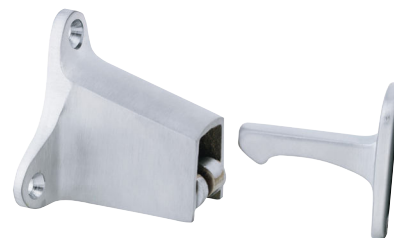
Material substrate	Made from cast brass or aluminum
Certifications	Meets ANSI/BHMA 156.16, L11291 for brass, and L31291 for aluminum

Dimensions

Base height	Base width	Base projection	Engaged projection	Strike height	Strike width	Strike projection
2"	2 1/2"	2 1/4"	3 1/2"	2 1/16"	3/4"	2"

Available accessories

- Security pin screw
- Hook package



WS45/WS45X

Automatic wall holder

- Spring loaded roller rides up the face of the strike, seating itself on the strike, holding the door firmly in the open position
- A heavy rubber pad cushions the shock and absorbs the sound
- With unit mounted on door and the strike on wall, vertical adjustment is available on body
- The strike is adjustable 45 degrees left or right, both adjustments easily accomplished at time of installation or at a later date
- WS45 is packed with fasteners for drywall/wood applications
- WS45X is packed with fasteners for heavy duty masonry applications

Specifications

Material substrate	Made from cast brass or aluminum
Certifications	Both meet ANSI/BHMA 156.16, L11291 for brass, and L31291 for aluminum

Dimensions

Base height	Base width	Base projection	Engaged projection	Strike diameter	Strike projection
3 1/16"	3"	2"	3 7/16"	2 3/8"	3"

Available accessories

- Security pin screw
- Hook package



WS40, WS45 and WS45X Finishes

BHMA	Description	Substrate	Finish
605	Bright Brass	Brass	US3
606	Satin Brass	Brass	US4
612	Satin Bronze	Brass	US10
613	Oil Rubbed Bronze	Brass	US10B
619*	Satin Nickel	Brass	US15
622*	Matte Black	Brass	BLK
625	Bright Chrome	Brass	US26
626	Satin Chrome	Brass	US26D
628	Satin Aluminum	Aluminum	US28
—*	Aged Bronze	Brass	643e/716

*Not available on WS40. For other colors, consult factory.

FS452

Kick down holder

- Units provide simple hold and release, activated with a touch of the foot
- Stainless steel spring
- Replaceable black non-marring rubber shoes have corrugated bottoms to provide secure grip
 - Rubber shoe is securely fastened with screw
- Shoes are easily replaced when worn
- Packed with fasteners for wood applications
- FS452-4 has a door-to-floor clearance of 2" or less
- FS452-5 has a door-to-floor clearance up to 3"



Specifications

Material substrate	Made from cast brass or aluminum
Certifications	Meets ANSI/BHMA 156.16, L11383 for brass, and L31383 for aluminum

Dimensions

Door to floor clearance	Plate height	Plate width
▪ FS452-4: 2" or less	▪ FS452-4: 2 1/8"	▪ FS452-4: 1"
▪ FS452-5: up to 3"	▪ FS452-5: 2 1/8"	▪ FS452-5: 1"

Available accessories

- Replaceable black non-marring rubber shoes

FS455

4" Kick down holder

- Units provide simple hold and release, activated with a touch of the foot
- Stainless steel spring
- Replaceable black non-marring rubber shoes have corrugated bottoms to provide secure grip
 - Rubber shoe is securely fastened with screw
- Shoes are easily replaced when worn
- Packed with fasteners for wood applications
- Door-to-floor clearances of 2" or less



Specifications

Material substrate	Made from cast brass or aluminum
Certifications	Meets ANSI/BHMA 156.16, L11382 for brass, and L31382 for aluminum

Dimensions

Door to floor clearance	Plate height	Plate width
2" or less	1 3/4"	1 3/4"

Available accessories

- Replaceable black non-marring rubber shoes

FS452 and FS455 Finishes

BHMA	Description	Substrate	Finish
605	Bright Brass	Brass	US3
606	Satin Brass	Brass	US4
612	Satin Bronze	Brass	US10
613	Oil Rubbed Bronze	Brass	US10B
619	Satin Nickel	Brass	US15
622	Matte Black	Brass	BLK
625	Bright Chrome	Brass	US26
626	Satin Chrome	Brass	US26D
–	Aged Bronze	Brass	643e/716
628	Satin Aluminum	Aluminum	US28
666*	Bright Brass	Aluminum	US3AL
–*	Blackened Brass	Aluminum	US5AL
668*	Satin Bronze	Aluminum	US10AL
–*	Clear Satin Aluminum	Aluminum	US27

* Not available on FS452. For other colors, consult factory.

Door stops, holders and silencers

Wall stops and holders

FS544/FS555

Kick down holders

- FS544 - 4", FS555 - 5"
- Units provide an economical method to hold open doors
- Stainless steel spring
- Replaceable grey non-marring rubber shoes have corrugated bottoms to provide secure grip
 - Rubber shoe is securely fastened with screw
- Shoes are easily replaced when worn
- Packed with fasteners for wood applications
- FS544 for door-to-floor clearances of 2" or less
- FS555 for door-to-floor clearances up to 3"



FS544

Specifications

Material substrate	Made from cast iron
Certifications	<ul style="list-style-type: none"> ▪ FS544 Meets ANSI/BHMA 156.16, L11381 ▪ FS555 Meets ANSI/BHMA 156.16, L11391

Dimensions

Door to floor clearance	Plate height	Plate width
▪ FS544: 2" or less	▪ FS544: 2 1/4"	▪ FS544: 1 7/16"
▪ FS555: up to 3"	▪ FS555: 2 1/4"	▪ FS555: 1 7/16"

Finishes

BHMA	Description	Substrate	Finish
689	Aluminum Painted	Iron	SP28
691	Bronze Painted	Iron	SP10
695	Dark Bronze Painted	Iron	SP313
706	Brass Painted	Iron	SP4
–	Matte Black	Iron	BLK

For other colors, consult factory.

Available accessories

- Replaceable grey non-marring rubber shoes

FS1153

Plunger type door holder

- Provides a contemporary yet economical method of positive hold-open
- Spring operated plunger activates with minimal pressure, releasing instantly with a light tap on the platform lever
- Provides a 1 5/8" throw for all types of doors
- Ribbed grey non-marring rubber shoe is securely fastened to unit with a screw and is easily replaced when worn
- Packed with fasteners for wood applications



Specifications

Material substrate	Made from cast aluminum
Certifications	Meets ANSI/BHMA 156.16, L11401

Dimensions

Height	Width	Depth
5 1/2"	2"	1 1/4"

FS452 and FS455 Finish - aluminum

BHMA	Description	Substrate	Finish
628	Satin Aluminum	Aluminum	US28

For other colors, consult factory.

Available accessories

- Replaceable grey non-marring rubber shoes

FS1154

Plunger type door holder

- Plunger and internal parts are plated steel and provides a 1 1/4" throw for all types of doors
- Plunger is easily activated with minimal pressure, releasing instantly with a light tap on the platform lever
- Round non-marring rubber shoe is securely fastened with a screw in flanged cup to prevent movement or loss (when worn, shoes are easily replaced)
- Packed with fasteners for wood applications



Specifications

Material substrate	Made from cast brass
Certifications	Meets ANSI/BHMA 156.16, L31401

Dimensions

Height	Width	Depth
6 1/4"	1 1/2"	1 7/16"

Finishes

BHMA	Description	Substrate	Finish
605	Bright Brass	Brass	US3
606	Satin Brass	Brass	US4
612	Satin Bronze	Brass	US10
613	Oil Rubbed Bronze	Brass	US10B
625	Bright Chrome	Brass	US26
626	Satin Chrome	Brass	US26D

For other colors, consult factory.

Available accessories

- Replaceable grey non-marring rubber shoes

Door stops, holders and silencers

Roller bumpers

RB470 / RB471 / RB472

Roller bumpers (straight and offset models)

- RB470 Offset roller bumper - Used where two doors open against each other to prevent damage to the doors or hardware
- RB471 (4 1/2") and RB472 (6") Straight roller bumpers - Ideal for use in situations where doors meet each other at approximate right angles (back to back)
- Grey rubber roller
- Packed with fasteners for wood applications

Specifications

Material substrate	Made from cast brass
Certifications	<ul style="list-style-type: none"> ▪ RB470 Meets ANSI/BHMA 156.16, L12212 ▪ RB471 Meets ANSI/BHMA 156.16, L12192 ▪ RB472 Meets ANSI/BHMA 156.16, L12202

Dimensions

Base size/diameter	Length	Arm offset
<ul style="list-style-type: none"> ▪ RB470 size: 1 11/16" x 2 1/4" ▪ RB471 diameter: 2" ▪ RB472 diameter: 2" 	<ul style="list-style-type: none"> ▪ RB470: 5" ▪ RB471: 4 1/2" ▪ RB472: 6" 	<ul style="list-style-type: none"> ▪ RB470: 2 3/4"

Finishes

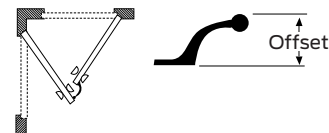
BHMA	Description	Substrate	Finish
605	Bright Brass	Brass	US3
606 ²	Satin Brass	Brass	US4
612 ¹	Satin Bronze	Brass	US10
613 ¹	Oil Rubbed Bronze	Brass	US10B
619 ¹	Satin Nickel	Brass	US15
625	Bright Chrome	Brass	US26
626	Satin chrome	Brass	US26D

For other colors, consult factory.

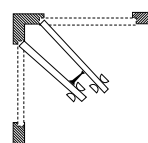
1. Only available on RB472.
2. Only available on RB471 and RB472.

Available accessories

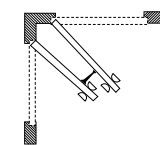
- Replaceable grey non-marring rubber shoes



RB470



RB471



RB472

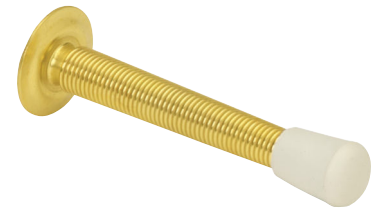
Door stops, holders and silencers

Residential door stops

060/061

Flexible door stops

- 060 - 3", 061 - 4"
- Utilizes heavy gauge spring to maintain rigid protections
- Simple to install - only a screwdriver required
- Packed disassembled for quick installation
- White rubber tip
- Packed with fasteners for wood applications



Specifications

Material substrate	Made from steel
Certifications	Meets ANSI/BHMA 156.16

Dimensions

Base diameter	Tip diameter	Projection
1"	1 9/16"	<ul style="list-style-type: none">▪ 060: 3"▪ 061: 4"

Finishes

BHMA	Description	Substrate	Finish
631	Matte Black	Steel	F-BLK
632	Bright Brass	Steel	F3
638	Blackened Brass	Steel	F5
639	Satin Bronze	Steel	F10
640	Oil Rubbed Bronze	Steel	F10B
645	Bright Nickel	Steel	F14
-	Aged Bronze	Steel	F-643E/716
646	Satin Nickel	Steel	F15
651	Bright Chrome	Steel	F26
652	Satin Chrome	Steel	F26D
-*	White	Steel	F-W

* Only available on 061. For other colors, consult factory.

Available accessories

- Replaceable white rubber tip

Door stops, holders and silencers

Residential door stops

60/61

Base door stops

- 60 - 3 ³/₄" , 61 - 3 ¹/₈"
- Simple to install - only a screwdriver required
- Packed disassembled for quick installation
- Available in three sizes to accommodate varying areas of installation and door trim dimensions
- White rubber tip
- Welded fastener for wood applications

Note: 61A - 643e/716 ships with black rubber tips

Specifications

Material substrate Made from brass, aluminum or zinc

Dimensions

Base diameter	Tip diameter	Projection
▪ 60: 1"	▪ 60: ⁵ / ₈ "	▪ 60: 3 ³ / ₄ "
▪ 61 Brass/aluminum: ⁷ / ₈ "	▪ 61 Brass/aluminum: ⁵ / ₈ "	▪ 61 Brass/aluminum: 3 ¹ / ₈ "
▪ 61 Zinc: 1"	▪ 61 Zinc: ⁵ / ₈ "	▪ 6 Zinc: 2 ⁷ / ₈ "

Finishes - brass

BHMA	Description	Substrate	Finish
605	Bright Brass	Brass	B3
606	Satin Brass	Brass	B4
609	Blackened Brass	Brass	B5
612	Satin Bronze	Brass	B10
613	Oil Rubbed Bronze	Brass	B10B
619	Satin Nickel	Brass	B15
620*	Blackened Nickel	Brass	B15A
622	Matte Black	Brass	B-BLK
625	Bright Chrome	Brass	B26
626	Satin Chrome	Brass	B26D
-	Aged Bronze	Brass	B-643e/716

Finishes - aluminum

BHMA	Description	Substrate	Finish
666	Bright Brass	Aluminum	A3
-*	Blackened Brass	Aluminum	A5
668*	Satin Bronze	Aluminum	A10
703	Oil Rubbed Bronze	Aluminum	A10B
669	Bright Nickel	Aluminum	A14
670	Satin Nickel	Aluminum	A15
672	Bright Chrome	Aluminum	A26
702	Satin Chrome	Aluminum	A26D
673	Aluminum Clear Coat	Aluminum	A92
-	Aged Bronze	Aluminum	A-643e/716
-	Matte Black	Aluminum	A-BLK
-*	White	Aluminum	A-W

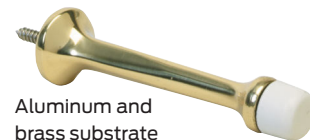
Finishes - zinc

BHMA	Description	Substrate	Finish
-*	Satin Nickel	Zinc	Z619
-*	Aged Bronze	Zinc	Z-643e/716

*Only available on 61. For other colors, consult factory.

Available accessories

- Replaceable white rubber tip
- Replaceable black rubber tip



Aluminum and brass substrate



Zinc substrate

63

Flexible door stop

- Utilizes heavy gauge spring to maintain rigid protections
- Simple to install - only a screwdriver required
- Packed disassembled for quick installation
- White rubber tip
- Packaged with fastener for wood applications



Specifications

Material substrate Made from wrought steel

Dimensions

Base diameter	Tip diameter	Projection
1"	9/16"	3"

Finishes

BHMA	Description	Substrate	Finish
631	Matte Black	Steel	F-BLK
632	Bright Brass	Steel	F3
638	Blackened Brass	Steel	F5
-	Aged Bronze	Steel	F-643E/716
646	Satin Nickel	Steel	F15
651	Bright Chrome	Steel	F26
652	Satin Chrome	Steel	F26D
-	White	Steel	F-W

For other colors, consult factory.

Available accessories

- Replaceable white rubber tip
- Replaceable black rubber tip

64

Base door stops

- Base door stop features deluxe one-piece styling
- Easily screws into base
- Designed with hexagonal head to accommodate wrench or pliers when installing
- White rubber tip
- Packaged with fastener for wood applications



Specifications

Material substrate Made from solid brass or aluminum

Dimensions

Base diameter	Tip diameter	Projection
1"	9/16"	3 1/4"

Finishes

BHMA	Description	Substrate	Finish
605	Bright Brass	Brass	B3
606	Satin Brass	Brass	B4
609	Blackened Brass	Brass	B5
612	Satin Bronze	Brass	B10
613	Oil Rubbed Bronze	Brass	B10B
619	Satin Nickel	Brass	B15
622	Matte Black	Brass	B-BLK
625	Bright Chrome	Brass	B26
626	Satin Chrome	Brass	B26D
-	Aged Bronze	Brass	B-643e/716
666	Bright brass	Aluminum	A3
673	Aluminum clear coat	Aluminum	A92
703	Oil rubbed bronze	Aluminum	A10B

Available accessories

- Replaceable white rubber tip
- Replaceable black rubber tip

Door stops, holders and silencers

Residential door stops

69

Hinge pin door stop

- Economical solution for use on low frequency, lightweight, residential 3 1/2" or 4" hinged doors where the installation of a standard door stop or overhead is not desirable
- Adjustable for 70° to 100° door openings
- Positive slip proof adjustment
- White non-marring rubber tips
- Removable bushings accommodate 1/4" to 5/16" diameter hinge pins
- Easy installation—only a screwdriver required



Specifications

Material substrate	Made from burnished wrought steel
--------------------	-----------------------------------

Dimensions

Base diameter	Tip diameter	Projection
1"	9/16"	3 1/4"

Finishes

BHMA	Description	Substrate	Finish
631	Matte black	Steel	F-BLK
632	Bright brass	Steel	F3
638	Blackened brass	Steel	F5
639	Satin bronze	Steel	F10
640	Oil rubbed bronze	Steel	F10B
645	Bright nickel	Steel	F14
—	Aged bronze	Steel	F-643e/716
646	Satin nickel	Steel	F15
647	Bright nickel	Steel	F15A
651	Bright chrome	Steel	F26
652	Satin chrome	Steel	F26D

For other colors, consult factory.

Available accessories

- Replaceable white rubber tip

70

Hinge pin door stop

- Economical solution for use on low frequency, lightweight, residential 3 1/2" or 4" hinged doors where the installation of a standard door stop or overhead is not desirable
- Designed for narrow trim installation
- High quality rubber bumpers - shoulder on stud supports rubber through entire body for engineered cushioning
- Removable bushings accommodate 1/4" diameter hinge pins
- Easy installation
- White rubber and nylon tips

Note: 70A - 716 ships with black rubber tips

Specifications

Material substrate Made from brass, aluminum or zinc

Finishes - brass

BHMA	Description	Substrate	Finish
605	Bright Brass	Brass	B3
606	Satin Brass	Brass	B4
609	Blackened Brass	Brass	B5
612	Satin Bronze	Brass	B10
613	Oil Rubbed Bronze	Brass	B10B
619	Satin Nickel	Brass	B15
622	Matte Black	Brass	B-BLK
625	Bright Chrome	Brass	B26
626	Satin Chrome	Brass	B26D
-	Aged Bronze	Brass	B-643e/716

Finishes - aluminum

BHMA	Description	Substrate	Finish
666	Bright Brass	Aluminum	A3
667	Satin Brass	Aluminum	A4
-	Blackened Brass	Aluminum	A5
668	Satin Bronze	Aluminum	A10
703	Oil Rubbed Bronze	Aluminum	A10B
669	Bright Nickel	Aluminum	A14
670	Satin Nickel	Aluminum	A15
672	Bright Chrome	Aluminum	A26
702	Satin Chrome	Aluminum	A26D
673	Aluminum Clear Coat	Aluminum	A92
-	Aged Bronze	Aluminum	A-643e/716
-	Matte Black	Aluminum	A-BLK
-	White	Aluminum	A-W

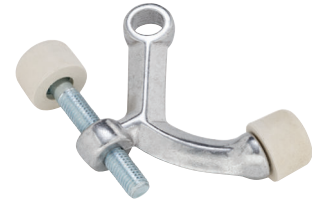
Finishes - zinc

BHMA	Description	Substrate	Finish
-	Dark Bronze	Zinc	Z406E
-	Aged Bronze	Zinc	Z-643e/716

For other colors, consult factory.

Available accessories

- Replaceable white rubber tip



Aluminum substrate



Brass and zinc substrate

Door stops, holders and silencers

Residential door stops

72

Hinge pin door stop

- Economical solution for use on low frequency, lightweight, residential 3 1/2" or 4" hinged doors where the installation of a standard door stop or overhead is not desirable
- 85° to 125° Door opening adjustments
- Designed for narrow trim installation
- White rubber bumpers - shoulder on stud supports rubber through entire body for engineered cushioning
- Removable bushings accommodate 1/4" to 5/16" diameter hinge pins
- Easy installation



Specifications

Material substrate Made from cast zinc

Dimensions

Post length

1 7/8"

Finishes

BHMA	Description	Substrate	Finish
676	Matte Black	Zinc	Z-BLK
677	Bright Brass	Zinc	Z-605E
–	Blackened Brass	Zinc	Z-609E
704	Oil Rubbed Bronze	Zinc	Z-613E
–	Satin Nickel	Zinc	Z-619E
681	Bright Chrome	Zinc	Z-625E
682	Satin Chrome	Zinc	Z-626E
–	Aged Bronze	Zinc	Z-643e/716
–	White	Zinc	Z-W

For other colors, consult factory.

Available accessories

- Replaceable white rubber tip

73

Hinge pin door stop

- Economical solution for use on low frequency, 4 1/2" hinges or above hinged doors where the installation of a standard door stop or overhead is not desirable
- 85° to 125° Door opening adjustments
- Designed for narrow trim installation
- White rubber bumpers - shoulder on stud supports rubber through entire body for engineered cushioning
- Removable bushings accommodate 1/4" to 5/16" diameter hinge pins



Specifications

Material substrate Made from cast zinc

Finishes

BHMA	Description	Substrate	Finish
677	Bright Brass	Zinc	Z-605E
704	Oil Rubbed Bronze	Zinc	Z-613E
–	Satin Nickel	Zinc	Z-619E
681	Bright Chrome	Zinc	Z-625E

For other colors, consult factory.

Available accessories

- Replaceable white rubber tip

Door stops, holders and silencers

Door silencers

SR64

Door silencer - metal

- For use on metal frames featuring pneumatic design that, once installed, forms an air pocket to absorb shock and reduce noise of door closing
- Tamper-proof once installed on the frame
- Proper installation also eliminates door rattle and provides constant tension for door latches or locks
- Packed in bags of 100
- Grey also available in bulk pack of 2500
- Each bag has an installation tool included



Specifications

Material substrate	Made from 60 Durometer styrene butadiene rubber
Certifications	Meets ANSI/BHMA 156.16, L03011

Dimensions

Diameter	Projection
1/2"	1/8"

SR65

Door silencer - wood

- For use on wood frames, also feature pneumatic design to cushion shock and absorb noise
- To prevent removal, a small brad should be driven into stop strip and through stem of silencer, as shown in the detail
- Packed in bags of 100



Specifications

Material substrate	Made from 60 Durometer styrene butadiene rubber
Certifications	Meets ANSI/BHMA 156.16, L03021

Dimensions

Diameter	Width	Projection
3/4"	3/8"	1/8"

SR66

Door silencer - adhesive

- Self adhesive rubber silencers
- Economical installation requires no drilling of frames
- Packed two sheets of 50 (100 minimum)



Specifications

Material substrate	Made from 60 Durometer styrene butadiene rubber
Certifications	Meets ANSI/BHMA 156.16, L03021

Dimensions

Diameter	Projection
1/2"	1/8"

SR64, SR65 and SR66 Finishes

BHMA	Description	Substrate	Finish
—*	Brown	Rubber	BRN
—	Grey	Rubber	GRY
—*	White	Rubber	WHT

*Only available on SR66. For other colors, consult factory.

Door stops, holders and silencers

Crash stop

CS115



Crash stop

- Specially designed for full-size exterior doors
- Tear resistant, grey vinyl cover
- Heavy duty compression spring assembled to both ends of chain and end brackets
- Packed with sheet metal screw.
- Cast brass brackets with solid, welded steel chain
- Optional sex bolt mounting available in US26D (626) only

Specifications

Available lengths	<ul style="list-style-type: none"> ▪ 20 1/2" - Recommended for 30" door width (product no. CS115-20) ▪ 25 1/2" - Recommended for 36" door width (product no. CS115-25) ▪ 30 1/2" - Recommended for 42" door width (product no. CS115-30)
-------------------	---

Dimensions

Bracket size	1 9/16" x 1 9/16"
---------------------	-------------------

Finishes

BHMA	Description	Substrate	Finish
613	Oil Rubbed Bronze	Brass	B10B
626	Satin Chrome	Brass	B26D

Available accessories

- Through bolt mounting available in US26D (626) only
- Through bolt with cap nut mounting available in US26D (626) only

Exterior hardware

Lock guards, viewers, knockers and mail slots

Lock guards, viewers, knockers and mail slots

Ives provides exterior hardware designed to handle any weather and has a solution for any application needs. Ives offers a line of lock guards, all designed to fit specific door styles, lock types and trim types. Many designs of viewers, knockers, and mail slots are offered for front doors.



Exterior hardware

Lock guards

LG1/LG7

Lock guard (with and without security pin)

- LG1 incorporates security frame pin to prevent separation of the door and frame
LG7 does not incorporate the security frame pin
- Ideal for use with mortise or cylindrical locks
- Unit covers the latch bolt area of the door and lock, thereby providing added protection from burglars, vandals or normal abuse
- Non-handed
- Easy installation
- Through bolted with carriage bolts and nuts

Specifications

Material substrate	Made from 13 gauge stainless steel, 12 gauge steel (LG1 only) or brass (LG1 only)
Certifications	UL10C Listed (3 hour)

Dimensions

W x H	Bolt center to center
3" x 11 1/2"	10 1/2"

Finishes

BHMA	Description	Substrate	Finish
600*	Primed for paint	Steel	USP
603*	Zinc plated	Steel	US2G
695*	Dark bronze painted	Steel	SP313
606*	Satin brass	Brass	US4
612*	Satin bronze	Brass	US10
630	Satin stainless	Stainless steel	US32D

*Not available on LG7. For other colors, consult factory.



LG10

Lock guard

- Ideally suited for use with rose or escutcheon 2 3/4" wide or less
- For use with type 86 mortise and type 161 cylindrical locks (ANSI/BHMA 156.13 Series 1000 and ANSI/BHMA 156.2 Series 4000)
- Unique design provides maximum security, virtually eliminating the opening between door and frame at the latch point
- Non-handed
- 2 welded mounting studs. No exposed fasteners on face of unit

Specifications

Material substrate	Made from 13 gauge stainless steel, 12 gauge steel
Certifications	UL10C Listed (3 hour)

Dimensions

W x H	Stud center to center
2 1/2" x 9 1/2"	8 1/2"

Finishes

BHMA	Description	Substrate	Finish
600	Primed for Paint	Steel	USP
630	Satin Stainless	Stainless steel	US32D

For other colors, consult factory.

Available accessories

- Security pin fasteners



Exterior hardware

Lock guards

LG11

Lock guard - aluminum doors

- Designed for use on aluminum doors with latch-type locks or doors equipped with electric strikes
- Unique design provides maximum security, virtually eliminating the opening between door and frame at latch point
- Unit is handed - Specify left or right hand when ordering (order RH for LHR door, and LH for RHR door)
- 2 welded mounting studs (no exposed fasteners on face of unit)

Specifications

Material substrate	Made from 13 gauge stainless steel, 12 gauge steel
Certifications	UL10C Listed (3 hour)

Dimensions

W x H	Stud center to center
3" x 9 1/2"	8 1/2"

Finishes

BHMA	Description	Substrate	Finish
630	Satin Stainless	Stainless steel	US32D
695	Dark Bronze Painted	Steel	SP313

For other colors, consult factory.

Available accessories

- Security pin fasteners



RH (LHR) shown

LG12

Lock guard - narrow

- Narrow design unit for use on rose or escutcheon 3 1/2" or less
- For use with type 86 mortise and type 161 cylinder locks (ANSI/BHMA 156.13 Series 1000 and ANSI/BHMA 156.2 Series 4000)
- Unique design provides maximum security, virtually eliminating the opening between door and frame at the latch point
- Non-handed
- 2 welded mounting studs (no exposed fasteners on face of unit)

Specifications

Material substrate	Made from 13 gauge stainless steel, 12 gauge steel
Certifications	UL10C Listed (3 hour)

Dimensions

W x H	Stud center to center
2 1/2" x 9 1/2"	8 1/2"

Finishes

BHMA	Description	Substrate	Finish
600	Primed for Paint	Steel	USP
630	Satin Stainless	Stainless steel	US32D

For other colors, consult factory.

Available accessories

- Security pin fasteners



Exterior hardware

Lock guards

LG13

Lock guard

- Designed for use on all type 161 cylindrical locks (ANSI/BHMA 156.2 Series 2000) Monolock and Unilock
- Unique design provides maximum security, virtually eliminating the opening between door and frame at latch point
- Non-handed
- 2 welded mounting studs (no exposed fasteners on face of unit)

Specifications

Material substrate	Made from 13 gauge stainless steel, 12 gauge steel
Certifications	UL10C Listed (3 hour)

Dimensions

W x H	Stud center to center
1 1/2" x 7"	4 1/2"



Finishes

BHMA	Description	Substrate	Finish
600	Primed for Paint	Steel	USP
630	Satin Stainless	Stainless steel	US32D

For other colors, consult factory.

Available accessories

- Security pin fasteners

LG14

Lock guard - with electric strike

- Narrow design unit for use on rose or escutcheon 3 1/2" or less
- For use with Von Duprin 6210 and 6211 electric strike
- No exposed fasteners on face of unit
- Unique design provides maximum security, virtually eliminating the opening between door and frame at latch point
- Non-handed
- 4 welded mounting studs. No exposed fasteners on face of unit

Specifications

Material substrate	Made from 13 gauge stainless steel
Certifications	UL10C Listed (3 hour)

Dimensions

W x H	Stud center to center
2 9/16" x 9 1/2"	4 1/2" and 6 3/4"



Finish

BHMA	Description	Substrate	Finish
630	Satin Stainless	Stainless steel	US32D

For other colors, consult factory.

Available accessories

- Security pin fasteners

Exterior hardware

Viewers

U696

One-way viewer - UL

- 150° angle of view
- For doors 1 3/8" to 2 1/16" thick
- Secure, tamper-resistant one-way thread installation
- Simple installation — only a 1/2" hole required
- Suggested installation height: 60" from floor

Specifications

Certifications	<ul style="list-style-type: none">▪ Meets ANSI/BHMA A156.16, L23222▪ UL10C Listed (90 min)
----------------	---

Dimensions

External diameter
3/4"

Finishes

BHMA	Description	Substrate	Finish
606	Satin Brass	Brass	B4
613	Oil Rubbed Bronze	Brass	B10B
619	Satin Nickel	Brass	B15
622	Matte Black	Brass	B-BLK
625	Bright Chrome	Brass	B26
626	Satin Chrome	Brass	B26D
—	Aged Bronze	Brass	B-643e/716

For other colors, consult factory.

Available accessories

- Trim washer available, 3/4" x .032" thick
- Extensions available for thicker doors
- Privacy viewer covers to prevent viewing from outside the room
- See available accessories details in the viewer covers/extensions section



698/U698

One-way wide angle viewer (UL and non UL models)

- 190° angle of view
- 4 optical glass lenses
- For doors 1 3/8" to 2 1/8" thick
- Simple installation — only a 9/16" hole required
- Suggested installation height: 60" from floor

Specifications

Certifications	<ul style="list-style-type: none">▪ Meets ANSI/BHMA A156.16, L23222▪ U698 is UL10C Listed (90 min)
----------------	---

Dimensions

External diameter	Lens projection
1"	1/4" from face of door

Finishes

BHMA	Description	Substrate	Finish
605	Bright brass	Brass	B3
619*	Satin nickel	Brass	B15
622*	Matte black	Brass	B-BLK
625*	Bright chrome	Brass	B26
626	Satin chrome	Brass	B26D
—	Aged bronze	Brass	B-643e/716

*Not available on 698. For other colors, consult factory.

Available accessories

- Extensions available for thicker doors
- Privacy viewer covers to prevent viewing from outside the room
- See available accessories details in the viewer covers/extensions section



Exterior hardware

Viewers

700/U700

One-way narrow viewer (UL and non-UL models)

- 120° angle of view
- For doors 1 ³/₈" to 2 ¹/₁₆" thick
- Secure, tamper-resistant one-way thread installation
- Simple installation—only a ¹/₂" hole required
- Suggested installation height: 60" from floor

Specifications

Material substrate	Made from brass, glass lens
Certifications	<ul style="list-style-type: none"> ▪ 700 meets ANSI/BHMA A156.16, L23173 ▪ U700 meets ANSI/BHMA A156.16, L23223 ▪ U700 is UL10C Listed (90 min)

Dimensions

External diameter	⁵ / ₈ "
-------------------	-------------------------------



Available accessories

- Trim washer available, ³/₄" x .032" thick
- Extensions available for thicker doors
- Privacy viewer covers to prevent viewing from outside the room
- See viewer covers/extensions in this section
- See available accessories details in the viewer covers/extensions section

701/U701

One-way narrow wide angle viewer (UL and non UL models)

- 120° angle of view
- For doors 2 ¹/₈" to 2 ⁵/₈" thick
- Secure, tamper-resistant one-way thread installation
- Simple installation—only a ¹/₂" hole required
- Suggested installation height: 60" from floor

Specifications

Material substrate	Made from brass, glass lens
Certifications	<ul style="list-style-type: none"> ▪ 701 meets ANSI/BHMA A156.16, L23173 ▪ U701 meets ANSI/BHMA A156.16, L23223 ▪ U701 is UL10C Listed (90 min)

Dimensions

External diameter	⁵ / ₈ "
-------------------	-------------------------------



Available accessories

- Trim washer available, ³/₄" x .032" thick
- Extensions available for thicker doors
- Privacy viewer covers to prevent viewing from outside the room
- See available accessories details in the viewer covers/extensions section

700/701 and U700/U701 Finishes

BHMA	Description	Substrate	Finish
606	Satin Brass	Brass	B4
613*	Oil Rubbed Bronze	Brass	B10B
619*	Satin Nickel	Brass	B15
622*	Matte Black	Brass	B-BLK
625*	Bright Chrome	Brass	B26
626*	Satin Chrome	Brass	B26D
—	Aged Bronze	Brass	B-643e/716

*Not available on 700. For other colors, consult factory.

Exterior hardware

Viewer covers/viewer extensions

890311/890312

Viewer covers

- Covers viewer opening, preventing viewing through either end of the viewer
- Easily rotates out of the way to provide viewing access
- Easily slides over body of new or existing viewers during installation
- Available in two models sold separately
 - 890312 - Used for U696/696, U700/700, and U701/701 viewers
 - 890311 - Used for U698/698 viewers

Finishes

BHMA	Description	Substrate	Finish
605*	Bright Brass	Brass	B3
606	Satin Nickel	Brass	B15
622	Matte Black	Brass	B-BLK
625	Bright Chrome	Brass	B26
626	Satin Chrome	Brass	B26D
716	Aged Bronze	Brass	643e/716

*Available on 698 only

890314/890313

Viewer extensions

- Each extension provides $\frac{3}{8}$ " of length to standard viewer.
- Easily threads onto new or existing viewers during installation.
- Adding one extension to a viewer adds $\frac{11}{16}$ " to the minimum and $\frac{9}{16}$ " to the maximum door thickness for that viewer
- Available in two models sold separately
 - 890314 - U696/696, U700/700, and U701/701 series viewers
 - 890313 - Used for U698/698 viewers

Finish

BHMA	Description	Substrate	Finish
626	Satin Chrome	Brass	B26D

Exterior hardware

Door knockers and mail slots

02-3125, 02-31251/02-31251U,
02-31252/02-31252U

Door knocker (models with and without viewers)

- 02-3125 Knocker only
- 02-31251 with 700 viewer, 02-31251U with U700 viewer, 02-31252 with 701 viewer, 02-31252U with U701 viewer
- 02-31251 and 02-31251U for door thickness $7/8'' - 1\ 9/16''$
- 02-31252 and 02-31252U for door thickness $1\ 5/8'' - 2\ 1/8''$
- Bolts through door

Specifications

Material substrate	Made from forged brass
Certifications	Meets ANSI/BHMA 156.16, L23161

Dimensions

Length	Width	Projection	Mounting hole center to center
$5\ 15/16''$	3"	$1\ 1/16''$	$3\ 15/16''$

Finishes

BHMA	Description	Substrate	Finish
605	Bright Brass	Brass	B3
609*	Blackened Brass	Brass	B5
619	Satin Nickel	Brass	B15
622	Matte Black	Brass	B-BLK
625	Bright Chrome	Brass	B26
626	Satin Chrome	Brass	B26D
-	Aged Bronze	Brass	B-643e/716

*B5 knockers are not available with viewer. B3 is furnished with B4 (606) viewer, 716 is furnished with B10B viewer, B15 (619) is furnished with a 626 viewer. For other colors, consult factory.

620

Magazine size letter box plate
with standard (open) back plate

- Spring-loaded front plate
- Through bolt mounting available, order separately 09-355 – finish.
- Packed with fasteners for wood applications

Specifications

Material substrate	Made from brass or aluminum
Certifications	Meets ANSI/BHMA 156.16, L26031

Dimensions

Overall size	Plate opening
$13''$ W x $3\ 9/16''$ H	$11''$ x $2''$ high

Finishes

BHMA	Description	Substrate	Finish
605	Bright Brass	Brass	B3
609	Blackened Brass	Brass	B5
619	Satin Nickel	Brass	B15
622	Matte Black	Brass	B-BLK
625	Bright Chrome	Brass	B26
626	Satin Chrome	Brass	B26D
-	Aged Bronze	Brass	B-643e/716
628	Clear Aluminum Anodized	Aluminum	PA28

For other colors, consult factory.

601

Sleeve for use with letter box plate

- For use on $1\ 3/4''$ hollow core doors
- Prevents items falling into door
- $1/4''$ Wide strengthening rib for added durability
- Can be stacked thicker doors

Specifications

Material substrate	Made from stainless steel
--------------------	---------------------------

Dimensions

Overall size
$11\ 7/16''$ W x $2\ 11/16''$ H x $1\ 3/4''$ D



Notes

Brackets, hooks and sockets

Ives offers hooks, handrail brackets, and sockets to handle a wide range of applications. These accessories provide the finishing touch in any job. Available in brass, aluminum, and zinc substrates and in multiple finishes. Choose from various hook styles that complete any office, resident or personal interior door for hanging coats and hats. Ives has a great selection of handrail brackets to hold various handrails.



059

Hand rail bracket

- Large faceplate for secure attachment to wall
- Features solid construction for increased strength
- Packaged with fasteners for wood applications

Specifications

Material substrate	Made from solid brass, cast aluminum, or zinc
Certifications	Meets ANSI/BHMA 156.16, L13061 for brass and L33061 for aluminum

Dimensions

Bracket size	1 9/16" x 1 9/16"
---------------------	-------------------

Finishes - brass

BHMA	Description	Substrate	Finish
605	Bright Brass	Brass	B3
609	Blackened Brass	Brass	B5
613	Oil Rubbed Bronze	Brass	B10B
619	Satin Nickel	Brass	B15
620	Blackened Nickel	Brass	B15A
622	Matte Black	Brass	B-BLK
625	Bright Chrome	Brass	B26
626	Satin Chrome	Brass	B26D
-	Aged Bronze	Brass	B-643e/716

Finishes - aluminum

BHMA	Description	Substrate	Finish
666	Bright Brass	Aluminum	A3
-	Blackened Brass	Aluminum	A5
668	Satin Bronze	Aluminum	A10
703	Oil Rubbed Bronze	Aluminum	A10B
669	Bright Nickel	Aluminum	A14
670	Satin Nickel	Aluminum	A15
672	Bright Chrome	Aluminum	A26
702	Satin Chrome	Aluminum	A26D
673	Aluminum Clear Coat	Aluminum	A92
-	Aged Bronze	Aluminum	A-643e/716
-	Matte Black	Aluminum	A-BLK
-	White	Aluminum	A-W

Finishes - zinc

BHMA	Description	Substrate	Finish
-	Satin Nickel	Zinc	Z619E

For other colors, consult factory.



Brass substrate



Aluminum substrate

Miscellaneous hardware

Brackets, hooks and sockets

59

Hand rail bracket

- Large faceplate for secure attachment to wall
- Features solid construction for increased strength
- Packaged with fasteners for wood applications

Specifications

Material substrate	Made from cast brass or cast aluminum
Certifications	Meets ANSI/BHMA 156.16, L13061 for brass and L33061 for aluminum

Dimensions

Aluminum base	Brass base	Base to center of rail
2 ¹³ / ₁₆ " H x 1 ⁷ / ₁₆ " W	2 ¹⁵ / ₁₆ " H x 1 ¹ / ₂ " W	2 ³ / ₄ "

Finishes - brass

BHMA	Description	Substrate	Finish
605	Bright Brass	Brass	B3
609	Blackened Brass	Brass	B5
619	Satin Nickel	Brass	B15
625	Bright Chrome	Brass	B26
626	Satin Chrome	Brass	B26D
–	Aged Bronze	Brass	B-643e/716

Finishes - aluminum

BHMA	Description	Substrate	Finish
666	Bright Brass	Aluminum	A3
–	Blackened Brass	Aluminum	A5
703	Oil Rubbed Bronze	Aluminum	A10B
669	Bright Nickel	Aluminum	A14
670	Satin Nickel	Aluminum	A15
673	Aluminum Clear Coat	Aluminum	A92
–	Aged Bronze	Aluminum	A-643e/716

For other colors, consult factory.



Brass substrate



Aluminum substrate

159

Hand rail bracket

- For use on commercial applications
- Exceeds OSHA and BHMA strength test requirements
- Packed with fasteners for masonry and wood applications

Specifications

Material substrate	Made from cast aluminum
Certifications	Meets ANSI/BHMA 156.16, L33081

Dimensions

Base diameter	Base to center of rail
3 ¹ / ₈ "	3 ¹ / ₈ "

Finishes - aluminum

BHMA	Description	Substrate	Finish
666	Bright brass	Aluminum	US3AL
673	Aluminum clear coat	Aluminum	US27

For other colors, consult factory.



Miscellaneous hardware

Brackets, hooks and sockets

405

Coat and hat hook

- Wide body design is ideal for public buildings, schools, dormitories, etc., where hook must withstand unusual stress and strain

Specifications

Material substrate	Made from cast aluminum
Certifications	Meets ANSI/BHMA 156.16, L33113

Dimensions

Base	Projection
1 1/2" H x 7/8" W	2 1/2"

Finishes - aluminum

BHMA	Description	Substrate	Finish
666	Bright Brass	Aluminum	A3
667	Satin Brass	Aluminum	A4
–	Blackened Brass	Aluminum	A5
668	Satin Bronze	Aluminum	A10
669	Bright Nickel	Aluminum	A14
673	Aluminum Clear Coat	Aluminum	A92
703	Oil Rubbed Bronze	Aluminum	A10B

For other colors, consult factory.



571

Coat and hat hook

- All-purpose hook in traditional design
- Packaged with fasteners for wood applications

Specifications

Material substrate	Made from cast brass and cast aluminum
Certifications	Meets ANSI/BHMA 156.16, L13113 for brass and L33113 for aluminum

Dimensions

Base	Projection
1 3/4" H x 1 3/16" W	3"

Finishes - brass

BHMA	Description	Substrate	Finish
605	Bright Brass	Brass	B3
606	Satin Brass	Brass	B4
609	Blackened Brass	Brass	B5
613	Oil Rubbed Bronze	Brass	B10B
619	Satin Nickel	Brass	B15
622	Matte Black	Brass	B-BLK
625	Bright Chrome	Brass	B26
626	Satin Chrome	Brass	B26D
–	Aged Bronze	Brass	B-643e/716

Finishes - aluminum

BHMA	Description	Substrate	Finish
666	Bright Brass	Aluminum	A3
–	Blackened Brass	Aluminum	A5
668	Satin Bronze	Aluminum	A10
669	Bright Nickel	Aluminum	A14
670	Satin Nickel	Aluminum	A15
672	Bright Chrome	Aluminum	A26
673	Aluminum Clear Coat	Aluminum	A92
702	Satin Chrome	Aluminum	A26D
–	Aged Bronze	Aluminum	A-643e/716
–	Matte Black	Aluminum	A-BLK
–	White	Aluminum	A-W

Finish - zinc

BHMA	Description	Substrate	Finish
–	Satin Nickel	Zinc	Z619E

For other colors, consult factory.



Brass substrate



Aluminum substrate

Miscellaneous hardware

Brackets, hooks and sockets

572

Coat and hat hook

- All-purpose hook in traditional design
- Packaged with fasteners for wood applications

Specifications

Material substrate	Made from cast brass and cast aluminum
Certifications	Meets ANSI/BHMA 156.16, L13113 for brass and L33113 for aluminum

Dimensions

Base	Projection
1 1/2" H x 1 1/4" W	3 1/8"



Brass substrate



Aluminum substrate

Finishes - brass

BHMA	Description	Substrate	Finish
605	Bright Brass	Brass	B3
606	Satin Brass	Brass	B4
609	Blackened Brass	Brass	B5
612	Satin Bronze	Brass	B10
613	Oil Rubbed Bronze	Brass	B10B
619	Satin Nickel	Brass	B15
625	Bright Chrome	Brass	B26
626	Satin Chrome	Brass	B26D

Finishes - aluminum

BHMA	Description	Substrate	Finish
666	Bright Brass	Aluminum	A3
-	Blackened Brass	Aluminum	A5
668	Satin Bronze	Aluminum	A10
703	Oil Rubbed Bronze	Aluminum	A10B
669	Bright Nickel	Aluminum	A14
670	Satin Nickel	Aluminum	A15
673	Aluminum Clear Coat	Aluminum	A92

For other colors, consult factory.

574

Coat and hat hook

- Decorative design is ideal for commercial and residential installations
- Packaged with fasteners for wood applications

Specifications

Material substrate	Made from cast brass and cast aluminum
Certifications	Meets ANSI/BHMA 156.16, L13113 for brass and L33113 for aluminum

Dimensions

Base	Projection	Brass overall height	Aluminum overall height
1 5/8" H x 1 3/4" W	3 3/4"	4 3/4"	5"

Finishes - brass

BHMA	Description	Substrate	Finish
605	Bright Brass	Brass	B3
606	Satin Brass	Brass	B4
612	Satin Bronze	Brass	B10
613	Oil Rubbed Bronze	Brass	B10B
619	Satin Nickel	Brass	B15
625	Bright Chrome	Brass	B26
626	Satin Chrome	Brass	B26D

Finishes - Aluminum

BHMA	Description	Substrate	Finish
666	Bright Brass	Aluminum	A3
627	Bright Chrome	Aluminum	A26
673	Aluminum Clear Coat	Aluminum	A92

For other colors, consult factory.



575

Coat and hat hook

- Especially designed to accommodate large hats
- Packaged with fasteners for wood applications

Specifications

Material substrate	Made from cast aluminum
Certifications	Meets ANSI/BHMA 156.16, L33121

Dimensions

Base	Projection	Overall height
2 1/4" H x 1 3/8" W	3 5/8"	5 3/4"

Finishes - aluminum

BHMA	Description	Substrate	Finish
666	Bright Brass	Aluminum	A3
703	Oil Rubbed Bronze	Aluminum	A10B
673	Aluminum Clear Coat	Aluminum	A92

For other colors, consult factory.



580

Ceiling hook

- Ideal for use in closets, attached to underside of shelves, or in storage lockers
- Packaged with fasteners for wood applications

Specifications

Material substrate	Made from cast aluminum
--------------------	-------------------------

Dimensions

Base	Projection
1" H x 1 7/8" W	2 1/4"

Finishes - Aluminum

BHMA	Description	Substrate	Finish
666	Bright brass	Aluminum	A3
-	Blackened brass	Aluminum	A5
668	Satin bronze	Aluminum	A10
669	Bright nickel	Aluminum	A14
670	Satin nickel	Aluminum	A15
672	Bright chrome	Aluminum	A26
702	Satin chrome	Aluminum	A26D
673	Aluminum clear coat	Aluminum	A92
-	Aged bronze	Aluminum	A-643e/716
-	Matte black	Aluminum	A-BLK

For other colors, consult factory.



Miscellaneous hardware

Brackets, hooks and sockets

581

Wardrobe hook

- Compact hook is perfect where space is limited, such as behind doors where low profile is needed
- Packaged with fasteners for wood applications

Specifications

Material substrate Made from cast brass, cast aluminum or zinc

Dimensions

Brass/aluminum base	Zinc base	Brass projection	Aluminum/zinc projection
1 1/4" H x 1 1/4" W	1 1/2" H x 3/4" W	1 1/16"	1 5/8"



582

Double wardrobe hook

- Compact double hook is perfect where space is limited, such as behind doors where low profile is needed
- Packaged with fasteners for wood applications

Specifications

Material substrate Made from cast brass, cast aluminum or zinc

Dimensions

Brass base	Aluminum base	Zinc base	Brass projection	Aluminum/zinc projection
1 1/8" H x 1 1/4" W	1 1/16" H x 1 3/16" W	1 5/8" H x 7/8" W	1"	1 3/32"



581 and 582 Finishes - brass

BHMA	Description	Substrate	Finish
605	Bright Brass	Brass	B3
606	Satin Brass	Brass	B4
609	Blackened Brass	Brass	B5
612*	Satin Bronze	Brass	B10
613	Oil Rubbed Bronze	Brass	B10B
619	Satin Nickel	Brass	B15
622	Matte Black	Brass	B-BLK
625	Bright Chrome	Brass	B26
626	Satin Chrome	Brass	B26D
-	Aged Bronze	Brass	B-643e/716

581 and 582 Finishes - aluminum

BHMA	Description	Substrate	Finish
666	Bright Brass	Aluminum	A3
-	Blackened Brass	Aluminum	A5
668*	Satin Bronze	Aluminum	A10
669	Bright Nickel	Aluminum	A14
670	Satin Nickel	Aluminum	A15
672	Bright Chrome	Aluminum	A26
702	Satin Chrome	Aluminum	A26D
673	Aluminum Clear Coat	Aluminum	A92
-	Aged Bronze	Aluminum	A-643e/716
-	Matte Black	Aluminum	A-BLK
-	White	Aluminum	A-W

581 and 582 Finishes - zinc

BHMA	Description	Substrate	Finish
-	Satin Nickel	Zinc	Z619E

*Not available on 581. For other colors, consult factory.

SP585

Closet pole sockets

- Flange design prevents accidental knock out of pole
- Accommodates pole or pipe with outside diameter of 1 3/8"
- Packed in pairs
- Packaged with fasteners for wood applications



Specifications

Material substrate Made from wrought steel

Finish

BHMA	Description	Substrate	Finish
632	Bright brass	Steel	F3

SP586

Closet pole sockets

- Single screw mounting
- Accommodates pole or pipe with outside diameter of 1 3/8"
- Packed in pairs
- Packaged with fasteners for wood applications



Specifications

Material substrate Made from a heavy duty plastic for long life and extra strength

Finish

BHMA	Description	Substrate	Finish
-*	White	Plastic	P

*Only available in Slim-Pak of 25.

Miscellaneous hardware

Decorative hooks

506

Plymouth coat and hat hook

- Decorative design is ideal for all installations
- Design complements Plymouth Series pulls and levers
- Surface mount
- Packaged with fasteners for wood/drywall applications

Specifications

Material substrate	Made from brass
Certifications	Meets ANSI/BHMA 156.16

Dimensions

Base	Projection	Overall height	Overall width
2" H x 1 1/2" W	2"	5 1/4"	4 3/4"



507

Rhodes coat and hat hook

- Decorative design is ideal for all installations
- Design complements Rhodes Series pulls and levers
- Surface mount
- Packaged with fasteners for wood applications

Specifications

Material substrate	Made from brass
Certifications	Meets ANSI/BHMA 156.16

Dimensions

Base	Projection	Overall height
2 5/16" H x 1/2" W	3 1/2"	4 1/2"



507B

Rhodes wardrobe hook

- Decorative design is ideal for all installations
- Design complements Rhodes Series pulls and levers
- Surface mount
- Packaged with fasteners for wood applications

Specifications

Material substrate	Made from brass
Certifications	Meets ANSI/BHMA 156.16

Dimensions

Base	Projection
2 5/16" H x 1/2" W	1 15/16"



508

Greenwich coat and hat hook

- Decorative design is ideal for all installations
- Design complements Greenwich Series pulls and levers
- Surface mount
- Packaged with fasteners for wood/drywall applications

Specifications

Material substrate	Made from brass
Certifications	Meets ANSI/BHMA 156.16

Dimensions

Base	Projection	Overall height
2" H x 1 1/2" W	3 5/16"	5 1/2"



Finish availability

Models	Description	605	613	622	625	626
506	Plymouth coat and hat hook		■	■		■
507	Rhodes coat and hat hook	■	■	■	■	■
507B	Rhodes wardrobe hook	■		■	■	■
508	Greenwich coat and hat hook	■	■		■	■
508C	Greenwich coat and hat hook, concealed mount	■	■	■	■	■
509C	Tubular coat and hat hook, concealed mount	■	■		■	■
510C	Latitude coat and hat hook, concealed mount	■		■	■	■
510BC	Latitude wardrobe hook, concealed mount	■	■	■	■	■
511BC	Century wardrobe hook, concealed mount	■	■		■	■
554	Century coat and hat hook	■			■	■
558B	Orbit wardrobe hook	■	■			
559B	Tubular wardrobe hook				■	■

For other colors, consult factory.

Miscellaneous hardware

Decorative hooks

508C

Greenwich coat and hat hook

- Concealed mount
- Decorative design is ideal for all installations
- Design complements Greenwich Series pulls and levers
- Concealed mount - packaged with set screw
- Packaged with fasteners for wood/drywall applications

Specifications

Material substrate	Made from brass
Certifications	Meets ANSI/BHMA 156.16

Dimensions

Base	Projection	Overall height
2" H x 1 1/2" W	3 11/16"	5 1/2"



509C

Tubular coat and hat hook

- Concealed mount
- Decorative design is ideal for all installations
- Design complements Tubular Series pulls and levers
- Concealed mount - packaged with set screw and Allen wrench
- Packaged with fasteners for wood/drywall applications

Specifications

Material substrate	Made from brass
Certifications	Meets ANSI/BHMA 156.16

Dimensions

Base	Projection	Overall height
1 15/16" diameter	3 1/4"	5 11/16"



510C

Latitude coat and hat hook

- Concealed mount
- Decorative design is ideal for all installations
- Design complements Latitude Series pulls and levers
- Concealed mount - packaged with set screw and Allen wrench
- Packaged with fasteners for wood/drywall applications

Specifications

Material substrate	Made from brass
Certifications	Meets ANSI/BHMA 156.16

Dimensions

Base	Projection	Overall height
1 15/16" diameter	3 3/4"	5 11/16"



510BC

Latitude wardrobe hook

- Concealed mount
- Decorative design is ideal for all installations
- Design complements Latitude Series pulls and levers
- Concealed mount - packaged with set screw and Allen wrench
- Packaged with fasteners for wood/drywall applications

Specifications

Material substrate	Made from brass
Certifications	Meets ANSI/BHMA 156.16

Dimensions

Base	Projection
1 15/16" diameter	3 1/4"



508C, 509C, 510C and 510BC Finishes

BHMA	Description	Substrate	Finish
605	Bright brass	Brass	605
613	Oil rubbed bronze	Brass	613
622	Matte black	Brass	BLK
625	Bright chrome	Brass	625
626	Satin chrome	Brass	626
-	Aged bronze	Brass	643e/716

For other colors, consult factory.

Miscellaneous hardware

Decorative hooks

511BC

Century wardrobe hook

- Concealed mount
- Decorative design is ideal for all installations
- Design complements Century Series Pulls and Levers
- Concealed mount
- Pre-installed fastener for wood applications



Specifications

Material substrate	Made from brass
Certifications	Meets ANSI/BHMA 156.16

Dimensions

Base	Projection
1" H x 3/4" W	1 1/2"

Finishes

BHMA	Description	Substrate	Finish
605	Bright Brass	Brass	605
613	Oil Rubbed Bronze	Brass	613
622	Matte Black	Brass	BLK
625	Bright Chrome	Brass	625
626	Satin Chrome	Brass	626
–	Aged Bronze	Brass	643e/716

For other colors, consult factory.

543

Camelot coat and hat hook

- Decorative design is ideal for all installations
- Design complements Camelot Series pulls and levers
- Surface mount
- Packaged with fasteners for wood applications



Specifications

Material substrate	Made from stainless steel
Certifications	Meets ANSI/BHMA 156.16

Dimensions

Base	Projection	Overall height
2" H x 13/16" W	2 1/2"	5 1/2"

543B

Camelot wardrobe hook

- Decorative design is ideal for all installations
- Design complements Camelot Series pulls and levers
- Surface mount
- Packaged with fasteners for wood applications



Specifications

Material substrate	Made from stainless steel
Certifications	Meets ANSI/BHMA 156.16

Dimensions

Base	Projection
2" H x 13/16" W	1 1/16"

543 and 543B Finishes

BHMA	Description	Substrate	Finish
629	Bright Stainless	Stainless steel	US32
630	Satin Stainless	Stainless steel	US32D

For other colors, consult factory.

Miscellaneous hardware

Decorative hooks

554

Century coat and hat hook

- Decorative design is ideal for all installations
- Design complements Century Series pulls and levers
- Surface mount
- Packaged with fasteners for wood/drywall applications

Specifications

Material substrate	Made from cast brass
Certifications	Meets ANSI/BHMA 156.16

Dimensions

Base	Projection	Overall height
2" diameter	4 1/4"	4 7/8"

Finishes

BHMA	Description	Substrate	Finish
605	Bright Brass	Brass	605
619	Satin Nickel	Brass	619
622	Matte Black	Brass	BLK
625	Bright Chrome	Brass	625
626	Satin Chrome	Brass	626
—	Aged Bronze	Brass	643e/716

For other colors, consult factory.



558B

Orbit wardrobe hook

- Decorative design is ideal for all installations
- Design complements Orbit Series pulls and levers
- Concealed mount - packaged with set screw
- Packaged with fasteners for wood/drywall applications

Specifications

Material substrate	Made from cast brass
Certifications	Meets ANSI/BHMA 156.16

Dimensions

Base	Projection
3 5/8" H x 3/4" W	2 7/8"



559B

Tubular wardrobe hook

- Decorative design is ideal for all installations
- Design complements Tubular Series pulls and levers
- Surface mount
- Packaged with fasteners for wood/drywall applications

Specifications

Material substrate	Made from cast brass
Certifications	Meets ANSI/BHMA 156.16

Dimensions

Base	Projection
2" diameter	1 5/16"



558B and 559B Finishes

BHMA	Description	Substrate	Finish
605	Bright brass	Brass	605
613	Oil rubbed bronze	Brass	613
619	Satin nickel	Brass	619
622	Matte black	Brass	BLK
625	Bright chrome	Brass	625
626	Satin chrome	Brass	626
—	Aged bronze	Brass	643e/716

For other colors, consult factory.

Window hardware

Ives offers a variety of window hardware lifts, locks, casement fasteners, and adjusters designed to secure windows and prevent rattle. Choose from a wide array of finishes and designs for your unique application.



Miscellaneous hardware

Window hardware

07

Window lock

- Designed low to the sash for superior strength and greater resistance to breakage
- Vertical and horizontal camming action for snug, non-rattling fit
- Heavy gauge springs provide long-wearing action
- Packaged with fasteners for wood applications



Specifications

Material substrate	Made from cast brass or aluminum
Certifications	Meets ANSI/BHMA 156.16, L33121

Dimensions

Base	Strike
$1\frac{5}{16}'' \times 2\frac{9}{16}''$	$\frac{5}{8}'' \times 2\frac{9}{16}''$

Finishes - brass

BHMA	Description	Substrate	Finish
605	Bright brass	Brass	B3
619	Satin nickel	Brass	B15
622	Matte black	Brass	B-BLK
625	Bright chrome	Brass	B26
626	Satin chrome	Brass	B26D
–	Aged bronze	Brass	B-643e/716

Finishes - aluminum

BHMA	Description	Substrate	Finish
666	Bright brass	Aluminum	A3
–*	Blackened brass	Aluminum	A5
703	Oil rubbed bronze	Aluminum	A10B
669	Bright nickel	Aluminum	A14
670	Satin nickel	Aluminum	A15
672	Bright chrome	Aluminum	A26
702	Satin chrome	Aluminum	A26D
673	Aluminum clear coat	Aluminum	A92
–	Aged bronze	Aluminum	A-643e/716
–	Matte black	Aluminum	A-BLK
–	White	Aluminum	A-W

*Only available in Slim-Pak of 25. For other colors, consult factory.

90

Side window lock

- May be used singularly for small windows or in pairs for large windows
- Cam action eliminates rattles and holds window firmly in desired position
- Packaged with fasteners for wood applications



Specifications

Material substrate	Made from aluminum
Certifications	Meets ANSI/BHMA 156.16

Dimensions

$1\frac{3}{4}'' \text{ H} \times 1\frac{1}{8}'' \text{ W}$
--

Finish - Aluminum

BHMA	Description	Substrate	Finish
666	Bright brass	Aluminum	A3

For other colors, consult factory.

Miscellaneous hardware

Window hardware

026

Bar window lift

- Facilitates opening of window in a safe manner
- Can also be used as a drawer or utility pull
- Packaged with fasteners for wood applications

Specifications

Material substrate	Made from solid brass or aluminum
Certifications	Meets ANSI/BHMA 156.16

Dimensions

Base	Projection
1 1/8" H x 4"	1 1/16"

Finishes - brass

BHMA	Description	Substrate	Finish
605	Bright Brass	Brass	B3
609	Blackened Brass	Brass	B5
619	Satin Nickel	Brass	B15
622	Matte Black	Brass	B-BLK
625	Bright Chrome	Brass	B26
626	Satin Chrome	Brass	B26D
-	Aged Bronze	Brass	B-643e/716

Finishes - aluminum

BHMA	Description	Substrate	Finish
666	Bright Brass	Aluminum	A3
-	Blackened Brass	Aluminum	A5
669	Bright Nickel	Aluminum	A14
670	Satin Nickel	Aluminum	A15
672	Bright Chrome	Aluminum	A26
702	Satin Chrome	Aluminum	A26D
673	Aluminum Clear Coat	Aluminum	A92
-	Aged Bronze	Aluminum	A-643e/716
-	Matte Black	Aluminum	A-BLK
-	White	Aluminum	A-W

For other colors, consult factory.



066

Casement fastener

- For use on windows to provide weather-tight fastening and security
- Also ideal for securing louvered doors and small doors
- Packaged with three strikes: Surface Strike (SS), Rim Strike (RS), Mortise Strike (MS)
- Packaged with fasteners for wood applications

Specifications

Material substrate	Made from solid brass or aluminum
Certifications	Meets ANSI/BHMA 156.16

Dimensions

Base	Projection
1 5/8" H x 7/8"	1 3/8"

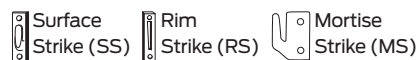
Finishes - Brass

BHMA	Description	Substrate	Finish
605	Bright Brass	Brass	B3
609	Blackened Brass	Brass	B5
619	Satin Nickel	Brass	B15
625	Bright Chrome	Brass	B26
626	Satin Chrome	Brass	B26D

Finishes - Aluminum

BHMA	Description	Substrate	Finish
666	Bright brass	Aluminum	A3
-	Blackened brass	Aluminum	A5
703	Oil rubbed bronze	Aluminum	A10B
669	Bright nickel	Aluminum	A14
673	Aluminum clear coat	Aluminum	A92

For other colors, consult factory.



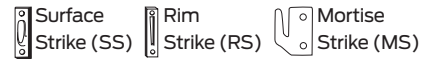
Miscellaneous hardware

Window hardware

66

Casement fastener

- For use on windows to provide weather-tight fastening and security
- Also ideal for securing louvered doors and small doors
- Packaged with three strikes: Surface Strike (SS), Rim Strike (RS), or Mortise Strike (MS)
- Packaged with fasteners for wood applications



Specifications

Material substrate	Made from solid brass or aluminum
Certifications	Meets ANSI/BHMA 156.16

Dimensions

Base	Projection
2 1/16" H x 1 1/16"	1 7/8"

Finishes - brass

BHMA	Description	Substrate	Finish
605	Bright Brass	Brass	B3
609	Blackened Brass	Brass	B5
619	Satin Nickel	Brass	B15
625	Bright Chrome	Brass	B26
626	Satin Chrome	Brass	B26D
-	Aged Bronze	Brass	B-643e/716

Finishes - aluminum

BHMA	Description	Substrate	Finish
666	Bright Brass	Aluminum	A3
-	Blackened Brass	Aluminum	A5
669	Bright Nickel	Aluminum	A14
673	Aluminum Clear Coat	Aluminum	A92

For other colors, consult factory.

71

Casement adjuster

- Securely holds casement window in any position
- Can also be used to hold cabinet lids and drafting table tops in various positions
- Available in 10" and 12" lengths
- Packaged with fasteners for wood applications



Specifications

Material substrate	Made from solid brass
Certifications	Meets ANSI/BHMA 156.16

Dimensions

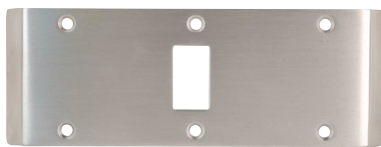
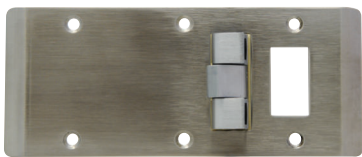
Tube	Projection	Sash plate	Sill plate
3/8" x 5/8"	1"	<ul style="list-style-type: none"> Brass: 1 5/8" high x 5/8" wide Steel: 2 x 5/8" wide 	2 1/4" x 15/16" wide

Finishes

BHMA	Description	Substrate	Finish
605	Bright Brass	Brass	B3
625	Bright Chrome	Brass	B26

Rescue hardware

Ives also offers rescue hardware designed to address a blocked doorway caused by an incapacitated patient, which is a problem often encountered by healthcare professionals. Used in conjunction with center hung pivots, rescue hardware allows a bi-directional door swing in emergency situations.



Miscellaneous hardware

Rescue hardware

Used in conjunction with center hung pivots, rescue hardware allows a bi-directional door swing in emergency situations. When a patient becomes trapped behind an inward swinging door, the center tong of the emergency stop depresses allowing the door to swing in the opposite direction without causing damage to the frame.

299AL / 299AB / 299AS, 299RB / 299RS

Emergency stops and rescue strikes

- 299AL Emergency stop; 299AB Emergency stop assembly - offset, 299AS Emergency stop assembly - center
- 299RB Rescue strike - offset, 299RS Rescue strike - center
- Center or offset mounting styles
- 7 model fits 5 3/4" frame and -8 model fits 6 3/4" frames
- Fits 1 3/4" door thickness (custom sizes available, consult factory)
- Must be used with center hung pivots such as Ives models: 7253, 7255, 7255J, 7256, and 7259
- Cannot be used with deadbolt applications
- Cannot be used with mortise locks that have deadlocking auxiliary latches
- Packed with 8-32 x 1/2" fasteners for hollow metal applications

Specifications

Material substrate	Made from stainless steel
Certifications	Meets ANSI/BHMA A1882

Dimensions

7 model	8 model	Emergency stop only
6 3/4" x 2 3/4"	7 3/4" x 2 3/4"	1 10/16" x 4 1/2"
Used with 5 3/4" frame	Used with 6 3/4" frame	

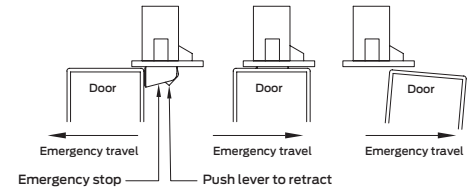
Finish

BHMA	Description	Substrate	Finish
630	Stainless steel	Stainless	630

For other colors, consult factory.



How it works



Things to consider when ordering

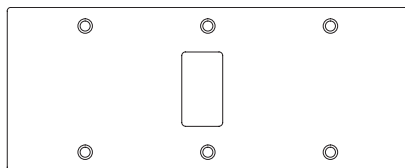
Rescue hardware must consist of two components: a stop and a strike. The components can be ordered as two separate items (with one component mounted above the other on the frame), or as one assembly with integrated components.

Separate components

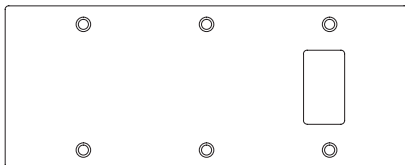
Rescue strike only

(available in -7 or -8 model)

Center 299RS

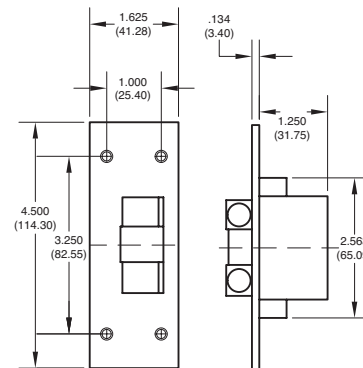


Offset 299RB



Emergency stop only

299AL (required to complete assembly)



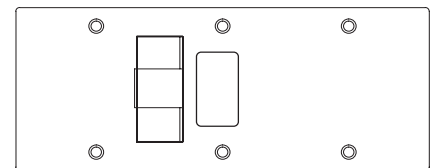
Note: Refer to templates for dimensional details.

Integrated components

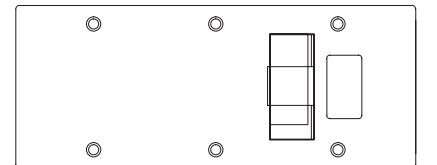
Emergency stop assemblies

(available in -7 or -8 model)

Center 299AS



Offset 299AB



Notes

Introduction

Table of contents

Hinges and pivots

Pulls, push bars and plates

Flush bolts, strikes and coordinators

Latches, catches and bolts

Door stops, holders and silencers

Exterior hardware

Miscellaneous hardware

About Allegion

Allegion (NYSE: ALLE) is a global pioneer in seamless access, with leading brands like CISA®, Interflex®, LCN®, Schlage®, SimonsVoss® and Von Duprin®. Focusing on security around the door and adjacent areas, Allegion secures people and assets with a range of solutions for homes, businesses, schools and institutions.

For more, visit www.allegion.com

KRYPTONITE ■ LCN ■  ■ STEELCRAFT ■ VON DUPRIN